

# KR Electronics, Inc.

## General Description

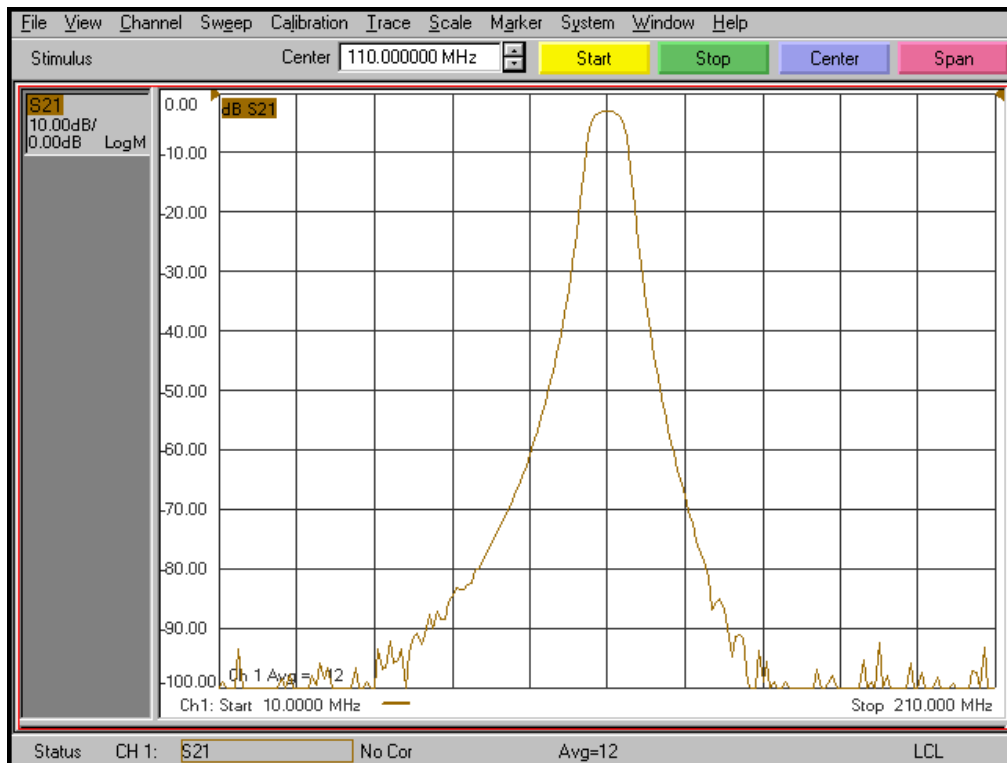
KR Electronics part number 3178-110 is a 110 MHz bandpass filter. The filter has a 3 dB bandwidth of 9.5 MHz. Other center frequencies and bandwidths are available. Please consult the factory.

### Features

- 110 MHz Bandpass Filter
- 9.5 MHz 3 dB Bandwidth
- 50  $\Omega$  Source and Load
- SMA Connectors
- Surface mount available

## Typical Performance

### Overall Response (10 dB/div)

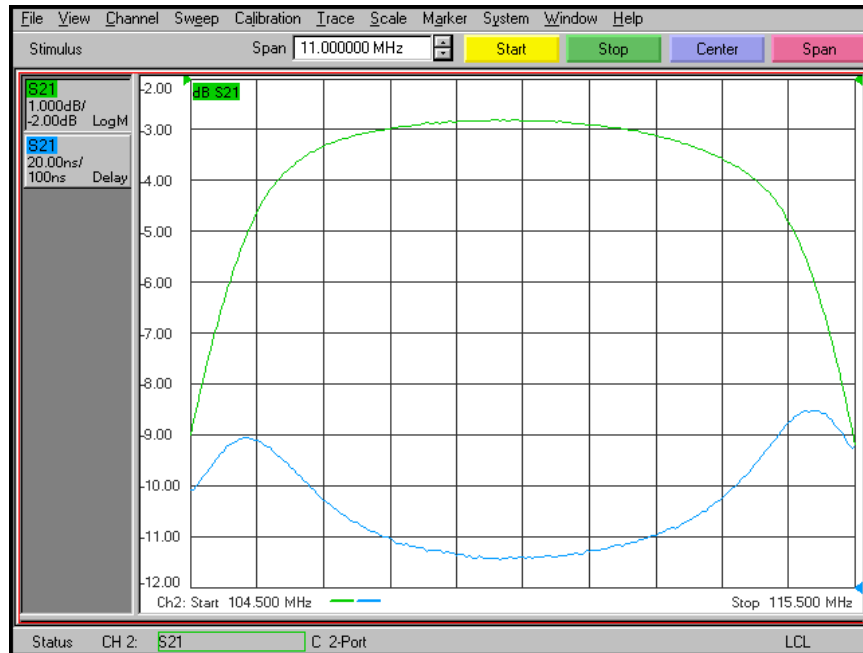


KR Electronics, Inc.  
91 Avenel Street  
Avenel, NJ 07001

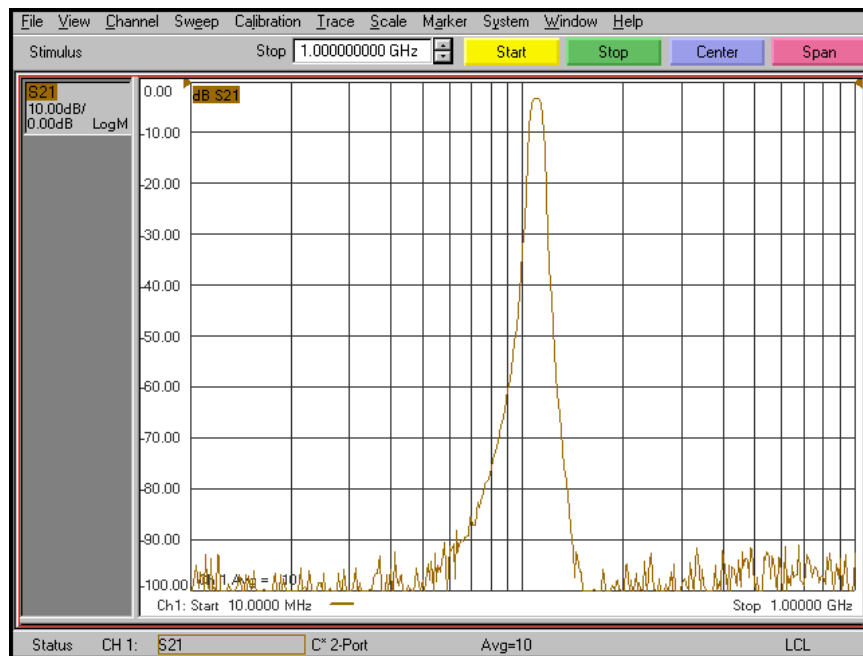
Web [www.krfilters.com](http://www.krfilters.com)  
Email [sales@krfilters.com](mailto:sales@krfilters.com)  
Phone (732) 636-1900  
Fax (732) 636-1982

## Typical Performance

### Passband Amplitude & Group Delay (1 dB/div & 20 nsec/div)



### Overall Response (10 dB/div)



KR Electronics, Inc.  
91 Avenel Street  
Avenel, NJ 07001

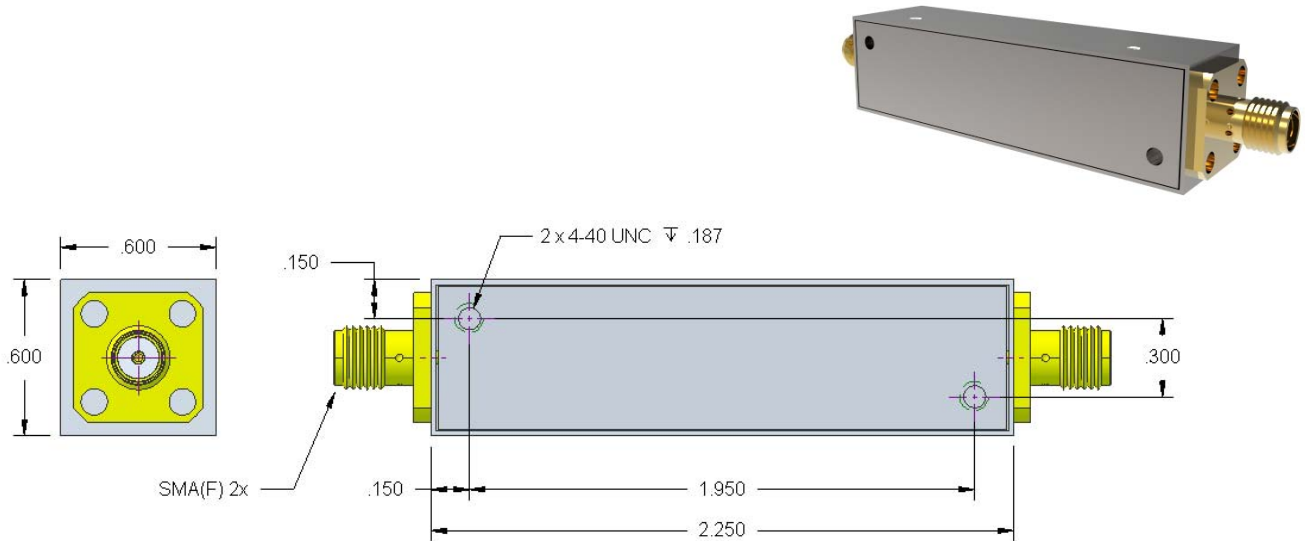
Web [www.krfilters.com](http://www.krfilters.com)  
Email [sales@krfilters.com](mailto:sales@krfilters.com)  
Phone (732) 636-1900  
Fax (732) 636-1982

# KR Electronics 3178-110

## Specifications

Parameter	Specification	Notes
Filter type	Bandpass	
Center Frequency Fc	110 MHz	
Insertion Loss at Fc	4 dBa max	2.8 dBa typical
1 dBc Bandwidth	7.45 MHz typical	
3 dBc Bandwidth	9.5 MHz ±0.5 MHz	
20 dBc Bandwidth	15.5 MHz typical	
40 dBc Bandwidth	24.5 MHz typical	
60 dBc Bandwidth	39 MHz typical	
Source and Load	50 Ω	

## Physical Dimensions



**Notes:**

1. Dimensions in inches
2. Rectangular case
3. Also available in surface mount package 1.5" x 0.5" x 0.5"

KR Electronics, Inc.  
91 Avenel Street  
Avenel, NJ 07001

Web [www.krfilters.com](http://www.krfilters.com)  
Email [sales@krfilters.com](mailto:sales@krfilters.com)  
Phone (732) 636-1900  
Fax (732) 636-1982