

General Description

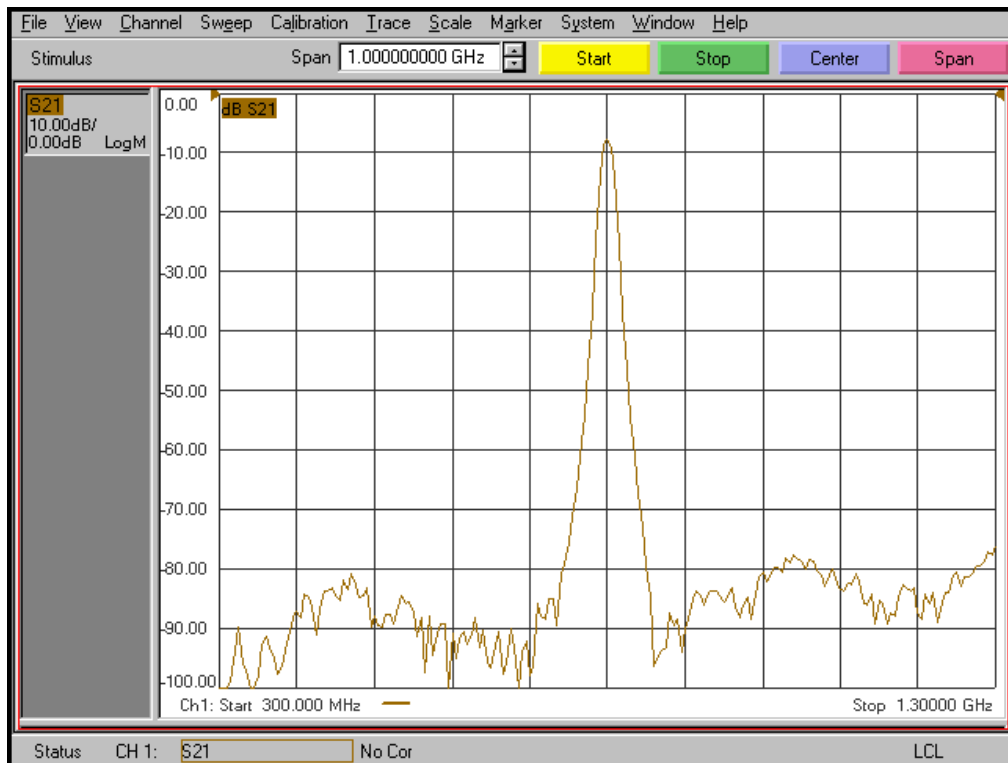
KR Electronics part number 3176 is a 800 MHz bandpass filter. The filter has a 3 dB bandwidth of 16 MHz. Other center frequencies and bandwidths are available. Please consult the factory.

Features

- 800 MHz Bandpass Filter
- 16 MHz 3 dB Bandwidth
- 50 Ω Source and Load
- Surface Mount
- SMA Connectors Available

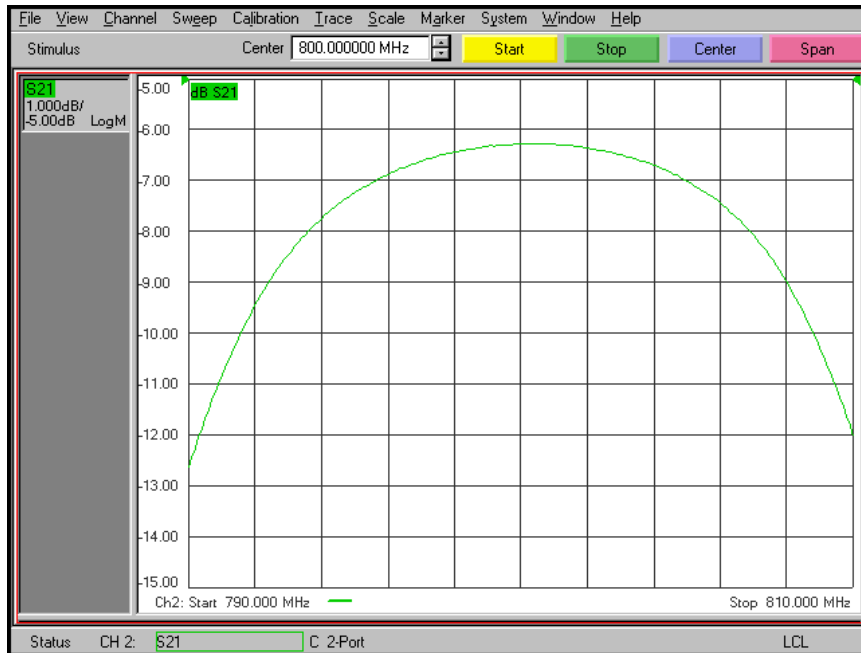
Typical Performance

Overall Response (10 dB/div)

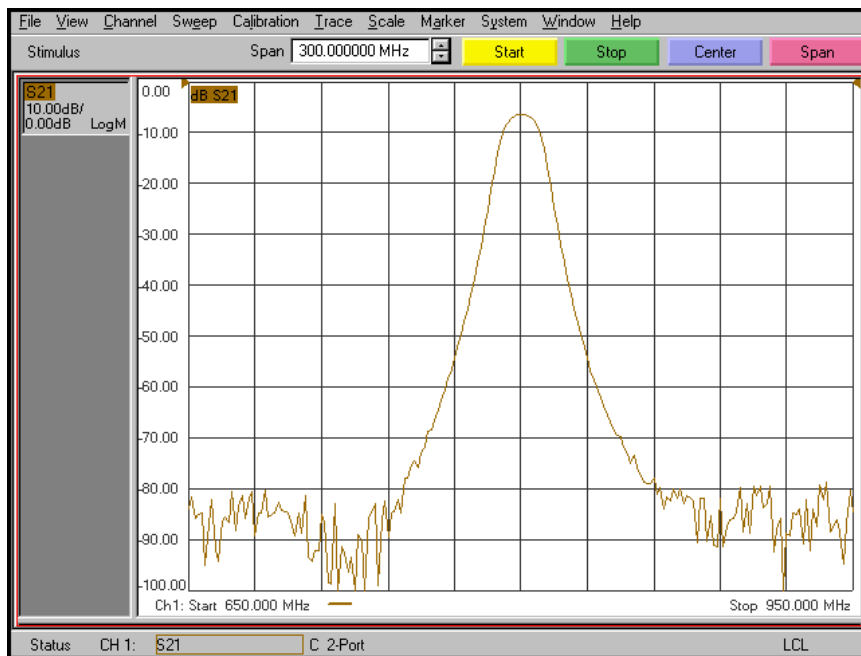


Typical Performance

Passband Amplitude
(1 dB/div)



Overall Response
(10 dB/div)



KR Electronics, Inc.
91 Avenel Street
Avenel, NJ 07001

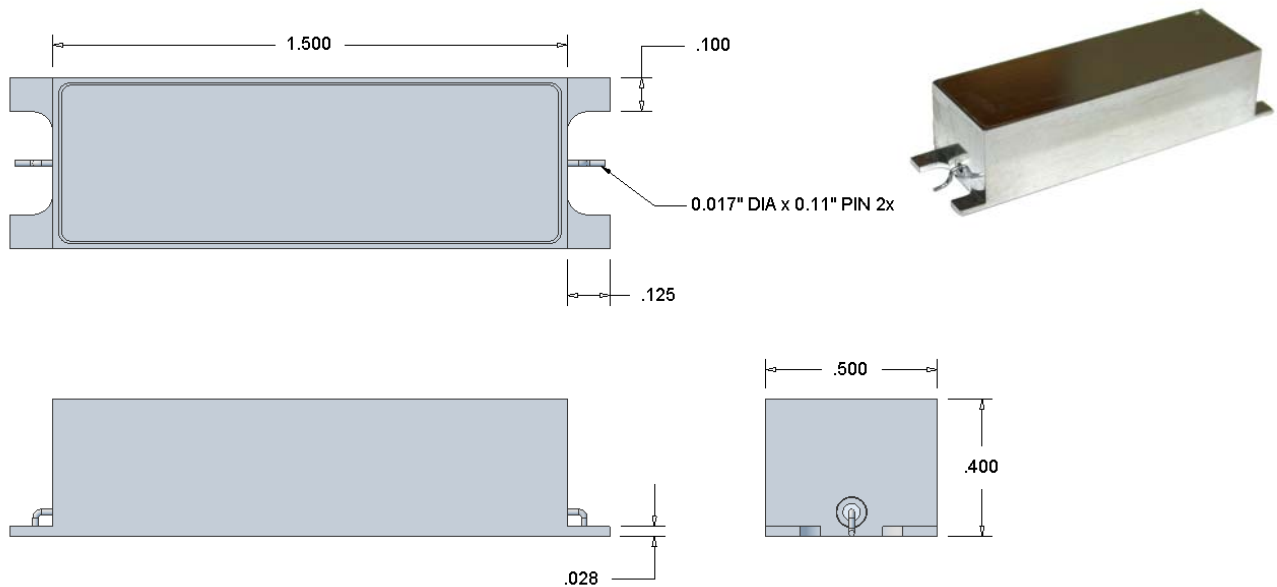
Web www.krfilters.com
Email sales@krfilters.com
Phone (732) 636-1900
Fax (732) 636-1982

KR Electronics 3176

Specifications

Parameter	Specification	Notes
Filter type	Bandpass	5 Pole
Center Frequency Fc	800 MHz	
Insertion Loss at Fc	7.5 dBa max	6.5 dBa typical
1 dBc Bandwidth	11 MHz typical	
3 dBc Bandwidth	16 MHz ±5%	
20 dBc Bandwidth	31 MHz typical	
40 dBc Bandwidth	50 MHz typical	
60 dBc Bandwidth	80 MHz typical	
Source and Load	50 Ω	

Physical Dimensions



Notes:

1. Dimensions in inches
2. Rectangular case surface mount

KR Electronics, Inc.
91 Avenel Street
Avenel, NJ 07001

Web www.krfilters.com
Email sales@krfilters.com
Phone (732) 636-1900
Fax (732) 636-1982