

KR Electronics, Inc.

General Description

KR Electronics part number 3163 is a 100 MHz lowpass filter. The filter has a minimum 3 dB bandwidth of 100 MHz and 30 dB typical rejection by 100 MHz. Other frequencies are available. Please consult the factory.

Features

- 100 MHz Lowpass
- Elliptic Type Response
- Fast Transition to the Stopband
- 50 Ω Source and Load
- Surface Mount
- Available with SMA Connectors

Typical Performance

Overall Response (10 dB/div)

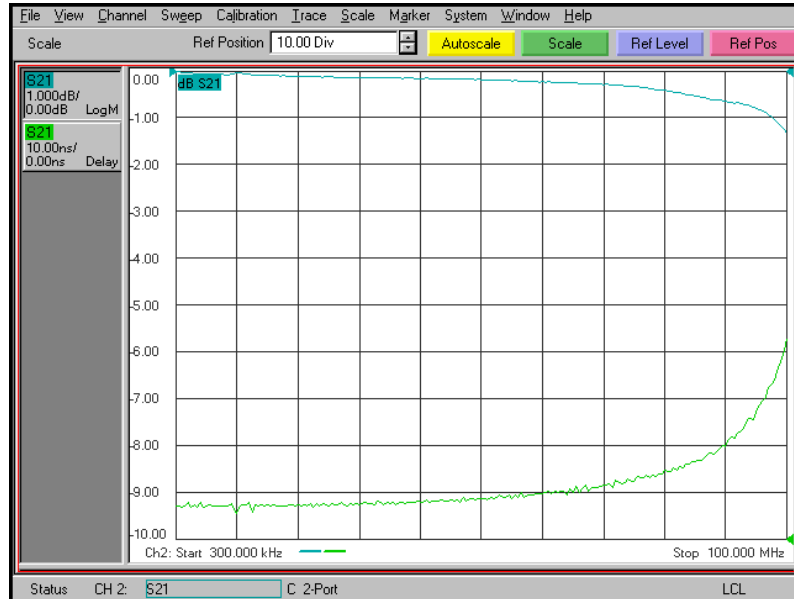


KR Electronics, Inc.
91 Avenel Street
Avenel, NJ 07001

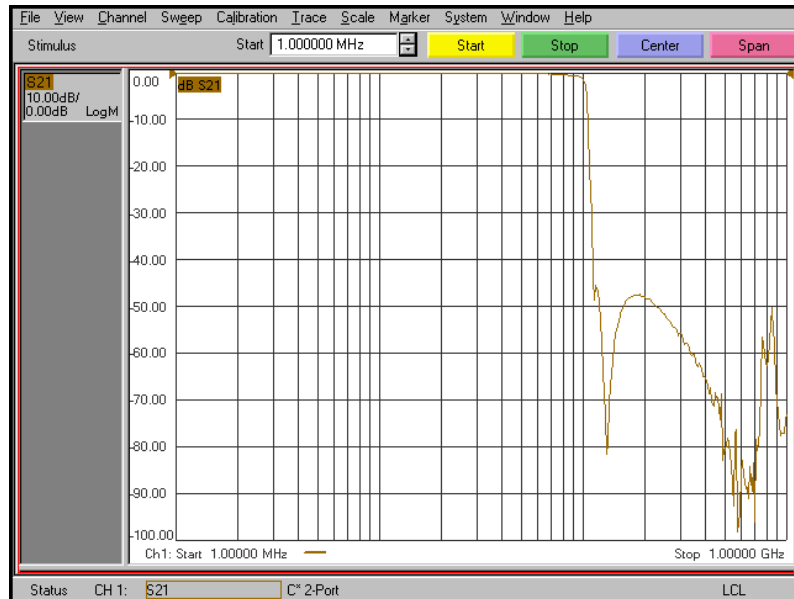
Web www.krfilters.com
Email sales@krfilters.com
Phone (732) 636-1900
Fax (732) 636-1982

Typical Performance

Passband Amplitude & Group Delay (1 dB/div & 10 nsec/div)



Overall Amplitude (10 dB/div)



KR Electronics, Inc.
91 Avenel Street
Avenel, NJ 07001

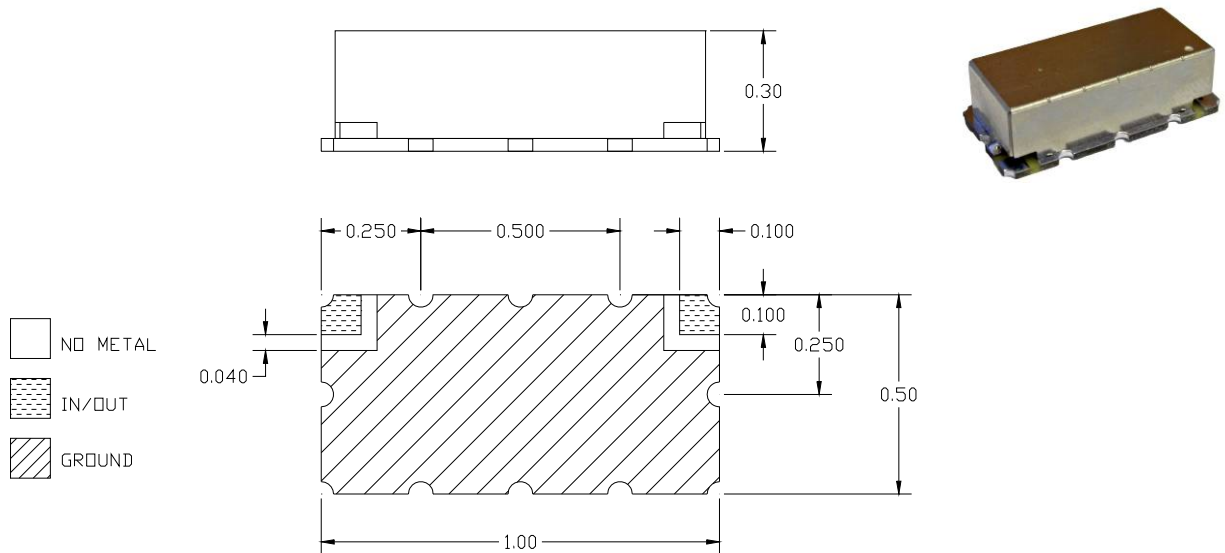
Web: www.krfilters.com
Email: sales@krfilters.com
Phone: (732) 636-1900
Fax: (732) 636-1982

KR Electronics 3163

Specifications

Parameter	Specification	
Filter type	Lowpass	
End of Passband (3 dB max)	100 MHz	1.5 dB typical
Rejection at 110 MHz	20 dB min	30 dB typical
Ultimate Rejection to 1 GHz	45 dB typical	
Source and Load	50 Ω	

Physical Dimensions



Notes:

1. Surface mount package
2. Dimensions in inches
3. Max reflow temperature 230° C for 10 sec
4. If boards are cleaned after installation units must be completely dried

KR Electronics, Inc.
91 Avenel Street
Avenel, NJ 07001

Web www.krfilters.com
Email sales@krfilters.com
Phone (732) 636-1900
Fax (732) 636-1982