

KR Electronics, Inc.

General Description

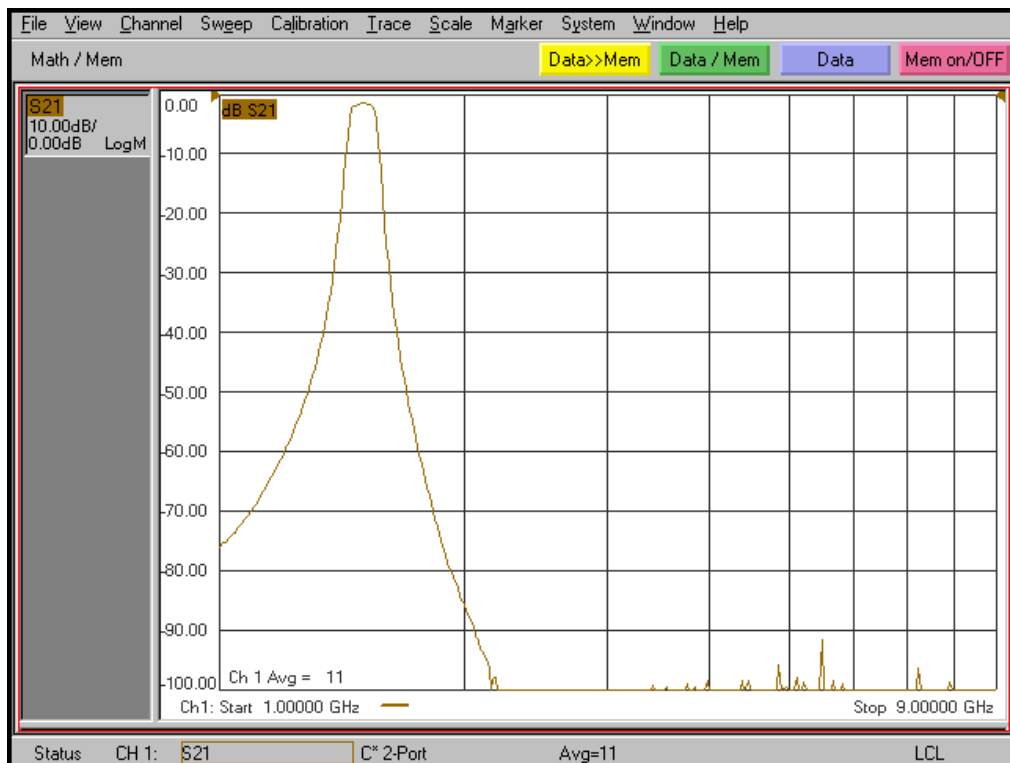
KR Electronics part number 3160 is a 1500 MHz bandpass filter. The filter has a typical 3 dB bandwidth of 117 MHz. Other center frequencies and bandwidths are available. Please consult the factory.

Features

- 1500 MHz Bandpass Filter
- Minimum 3 dB Bandwidth 96 MHz
- High Stopband Attenuation
- Rejection Maintained to 9 GHz
- 50 Ω Source and Load
- SMA Connectors

Typical Performance

Overall Response (10 dB/div)

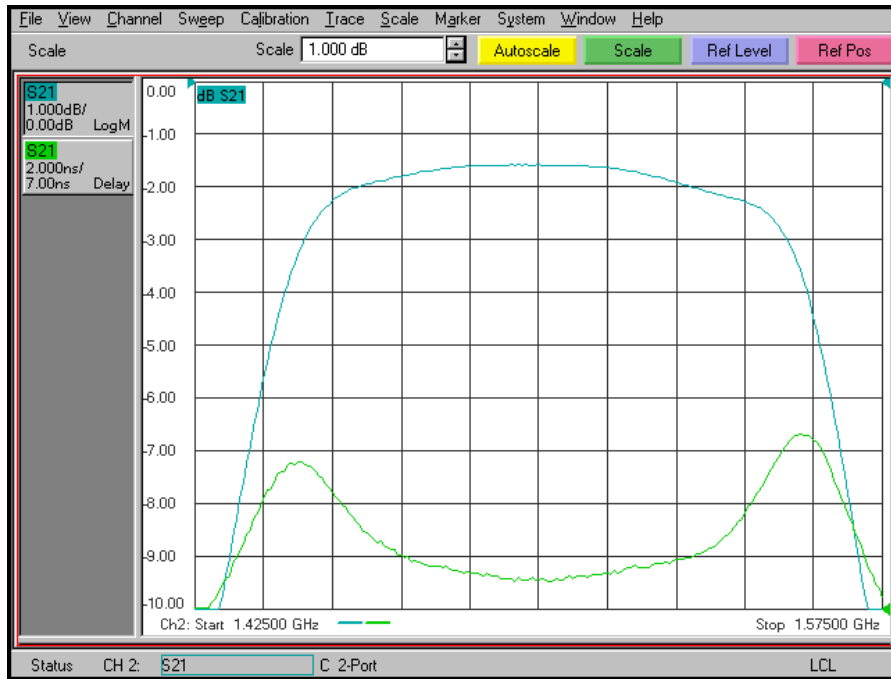


KR Electronics, Inc.
91 Avenel Street
Avenel, NJ 07001

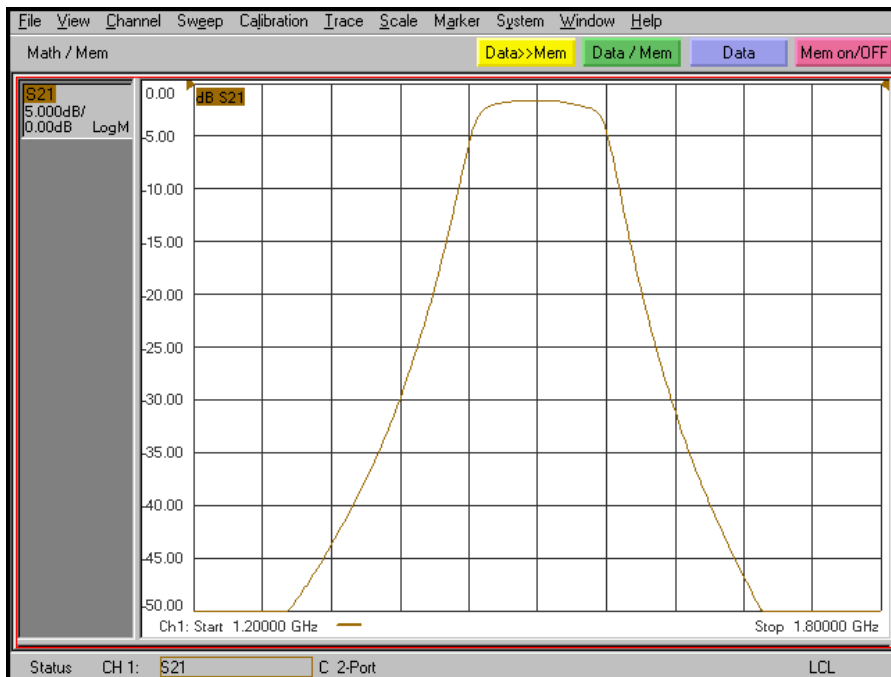
Web www.krfilters.com
Email sales@krfilters.com
Phone (732) 636-1900
Fax (732) 636-1982

KR Electronics 3160

Passband Amplitude & Group Delay (1 dB/div & 2 nsec/div)



Overall Response (5 dB/div)



KR Electronics, Inc.
91 Avenel Street
Avenel, NJ 07001

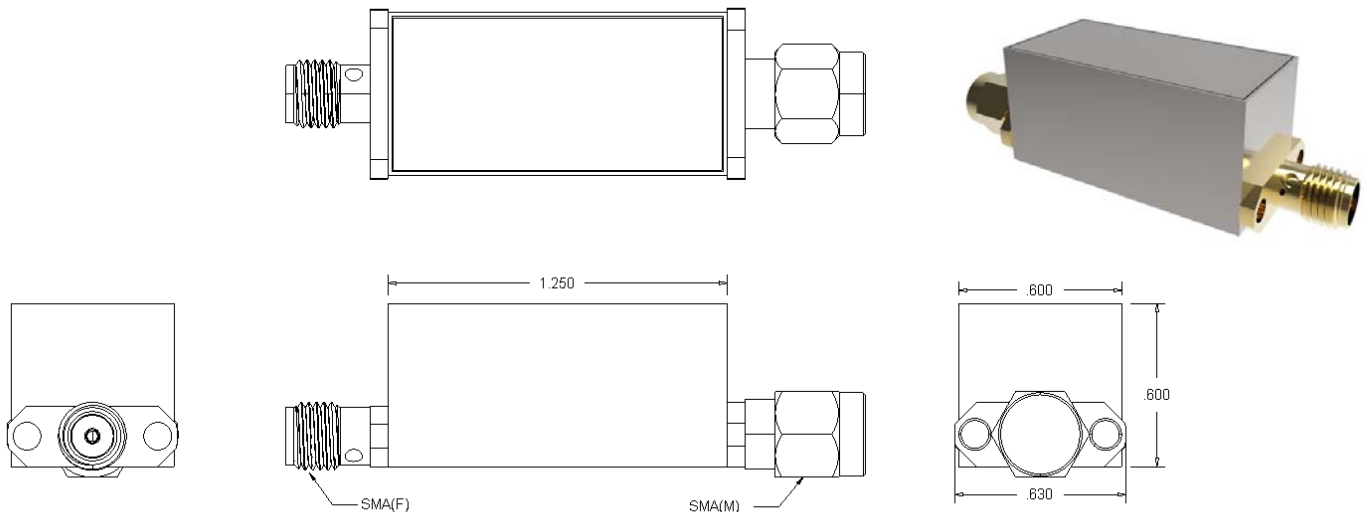
Web www.krfilters.com
Email sales@krfilters.com
Phone (732) 636-1900
Fax (732) 636-1982

KR Electronics 3160

Specifications

Parameter	Specification	
Filter type	Bandpass	
Center Frequency	1500 MHz	
Insertion Loss at Center Frequency	2.5 dB max	1.6 dB typical
1 dB Bandwidth	98 MHz typical	
3 dB Bandwidth	96 MHz min	117 MHz typical
20 dB Bandwidth	190 MHz typical	
40 dB Bandwidth	325 MHz typical	
60 dB Bandwidth	575 MHz typical	
Source and Load	50 Ω	

Physical Dimensions



Notes:

1. Dimensions in inches
2. SMA (F) to SMA (M) Connectors
3. Rectangular case

KR Electronics, Inc.
91 Avenel Street
Avenel, NJ 07001

Web www.krfilters.com
Email sales@krfilters.com
Phone (732) 636-1900
Fax (732) 636-1982