

KR Electronics, Inc.

General Description

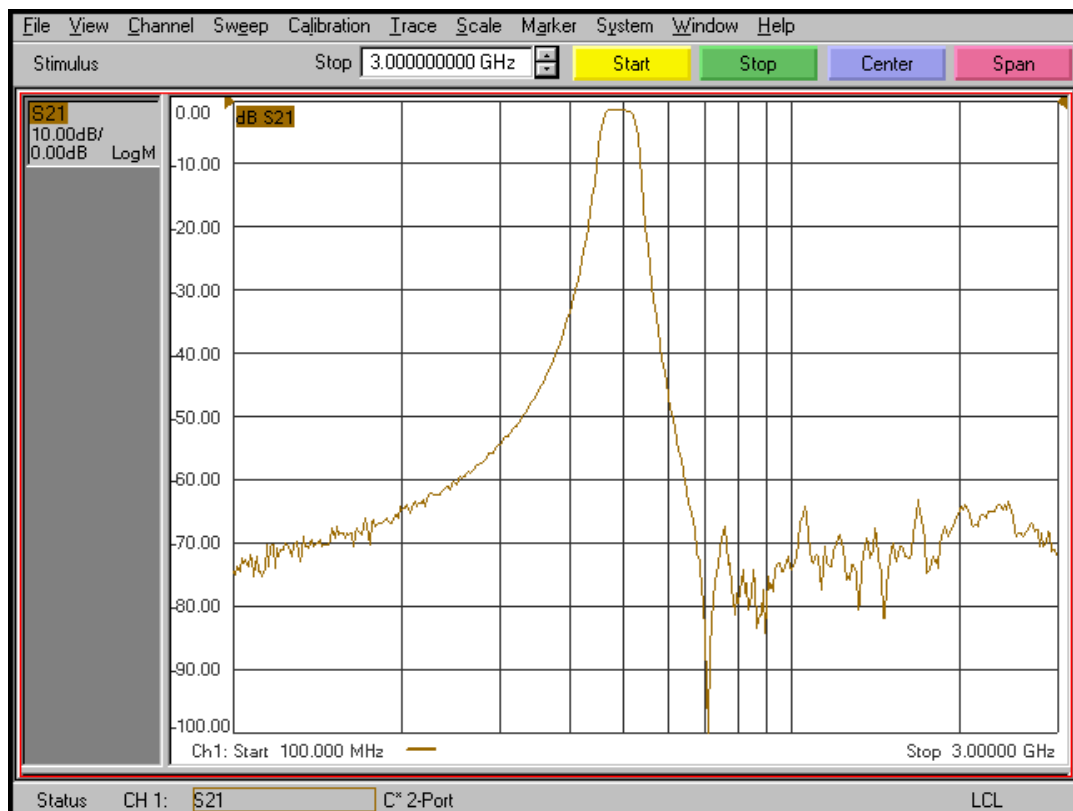
KR Electronics part number 3134 is a 491 MHz bandpass filter. The filter has a minimum 1 dB bandwidth of 52 MHz. Other center frequencies and bandwidths available. Please consult the factory.

Features

- 491 MHz Center Frequency
- 52 MHz minimum 1 dB Bandwidth
- 216 MHz typical 40 dB Bandwidth
- 50 Ω Source and Load
- Surface Mount

Typical Performance

Overall Response (10 dB/div)

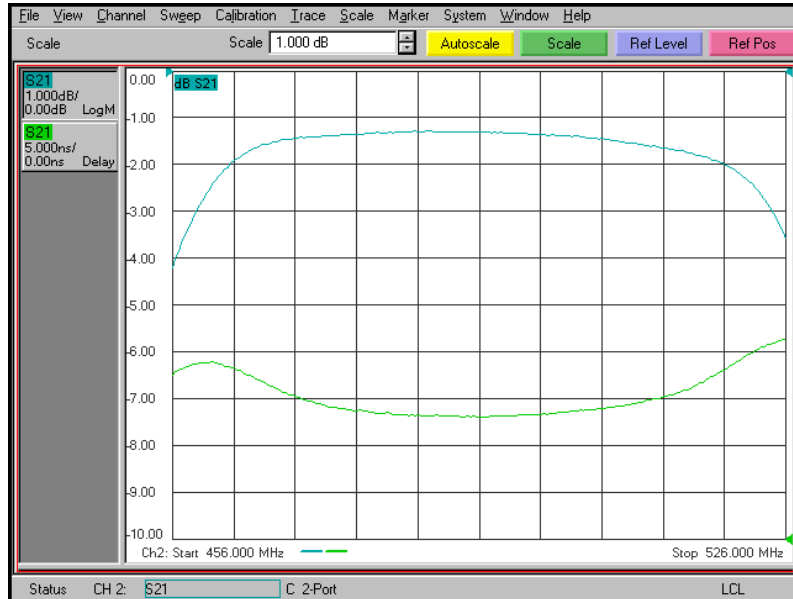


KR Electronics, Inc.
91 Avenel Street
Avenel, NJ 07001

Web www.krfilters.com
Email sales@krfilters.com
Phone (732) 636-1900
Fax (732) 636-1982

Typical Performance

Passband Amplitude & Group Delay
(1 dB/div & 5 nsec/div)



Overall Amplitude
(10 dB/div)



KR Electronics, Inc.
91 Avenel Street
Avenel, NJ 07001

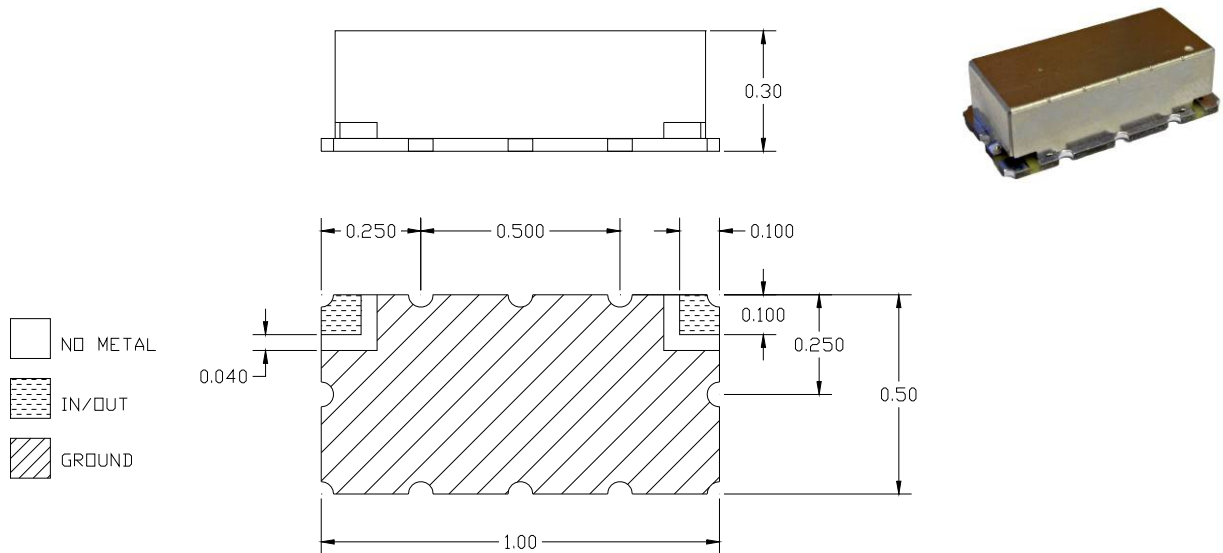
Web www.krfilters.com
Email sales@krfilters.com
Phone (732) 636-1900
Fax (732) 636-1982

KR Electronics 3134

Specifications

Parameter	Specification	
Filter type	Bandpass	
Center Frequency	491 MHz	
Insertion Loss	2.5 dB max	1.5 dB typical
1 dB Bandwidth	52 MHz min	465 MHz to 517 MHz
3 dB Bandwidth	70 MHz typical	
20 dB Bandwidth	122 MHz typical	
40 dB Bandwidth	216 MHz typical	
60 dB Bandwidth	410 MHz typical	
Source and Load	50 Ω	

Physical Dimensions



Notes:

1. Surface mount package
2. Dimensions in inches
3. Max reflow temperature 230° C for 10 sec
4. If boards are cleaned after installation units must be completely dried

KR Electronics, Inc.
91 Avenel Street
Avenel, NJ 07001

Web www.krfilters.com
Email sales@krfilters.com
Phone (732) 636-1900
Fax (732) 636-1982