

# KR Electronics, Inc.

## General Description

KR Electronics part number 3093 is a 350 MHz bandpass filter. The filter has a 1 dB bandwidth of 100 MHz minimum and 50 dB bandwidth of 200 MHz maximum. Other center frequencies and bandwidths are available. Please consult the factory.

### Features

- 350 MHz Bandpass Filter
- 1 dB Bandwidth 100 MHz min
- 50 dB Bandwidth 200 MHz max
- 50  $\Omega$  Source and Load
- Surface mount
- Also available with SMA Connectors

## Typical Performance

### Overall Response (10 dB/div)

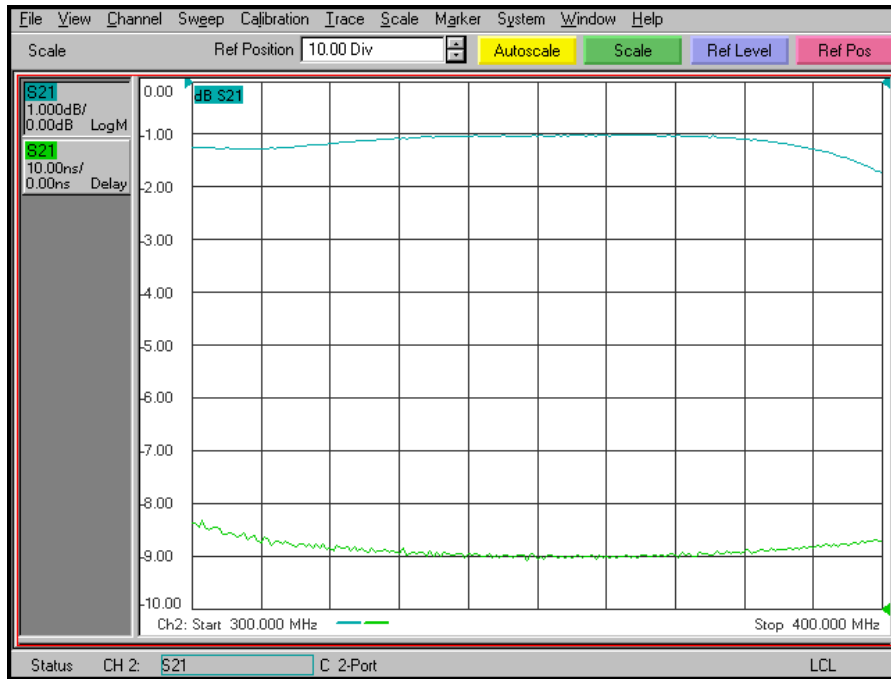


KR Electronics, Inc.  
91 Avenel Street  
Avenel, NJ 07001

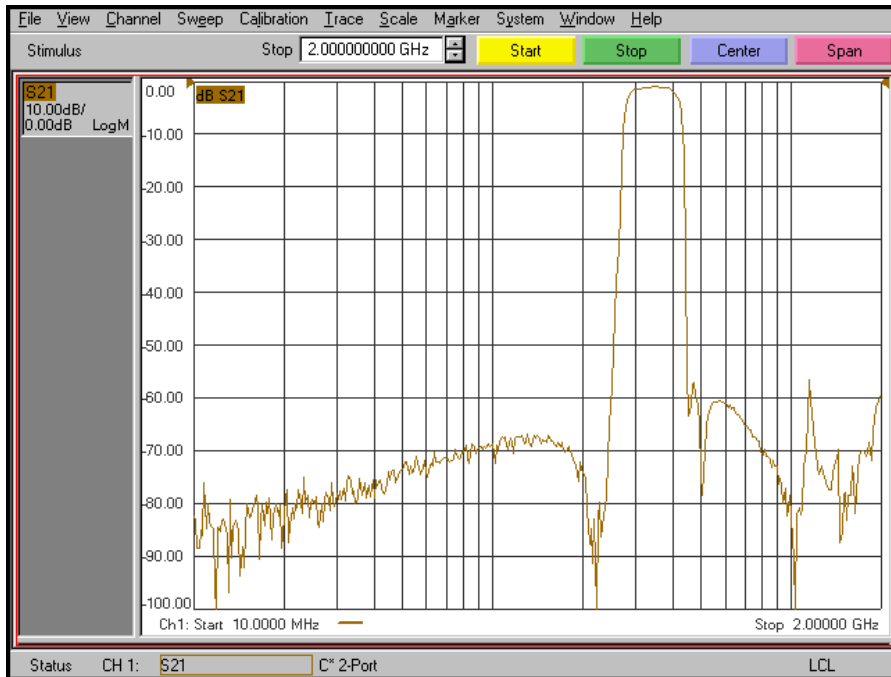
Web [www.krfilters.com](http://www.krfilters.com)  
Email [sales@krfilters.com](mailto:sales@krfilters.com)  
Phone (732) 636-1900  
Fax (732) 636-1982

# KR Electronics 3093

## Passband Amplitude & Group Delay (1 dB/div & 10 nsec/div)



## Overall Response (10 dB/div)



KR Electronics, Inc.  
91 Avenel Street  
Avenel, NJ 07001

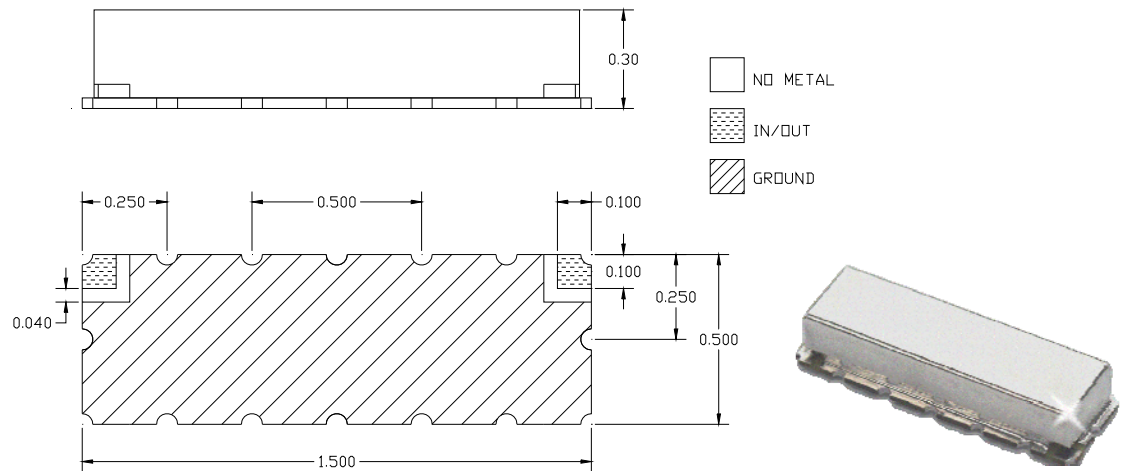
Web [www.krfilters.com](http://www.krfilters.com)  
Email [sales@krfilters.com](mailto:sales@krfilters.com)  
Phone (732) 636-1900  
Fax (732) 636-1982

# KR Electronics 3093

## Specifications

Parameter	Specification	Notes
Filter type	Bandpass	
Center Frequency	350 MHz	
Insertion Loss	3 dB max	1 dB typical
1 dB Bandwidth	100 MHz min	300 MHz to 400 MHz
50 dB Bandwidth	200 MHz max	250 MHz & 450 MHz
Source and Load	50 $\Omega$	

## Physical Dimensions



### Notes:

1. Surface mount package
2. Dimensions in inches
3. Max reflow temperature 230° C for 10 sec
4. If boards are cleaned after installation units must be completely dried

KR Electronics, Inc.  
91 Avenel Street  
Avenel, NJ 07001

Web [www.krfilters.com](http://www.krfilters.com)  
Email [sales@krfilters.com](mailto:sales@krfilters.com)  
Phone (732) 636-1900  
Fax (732) 636-1982