

KR Electronics, Inc.

General Description

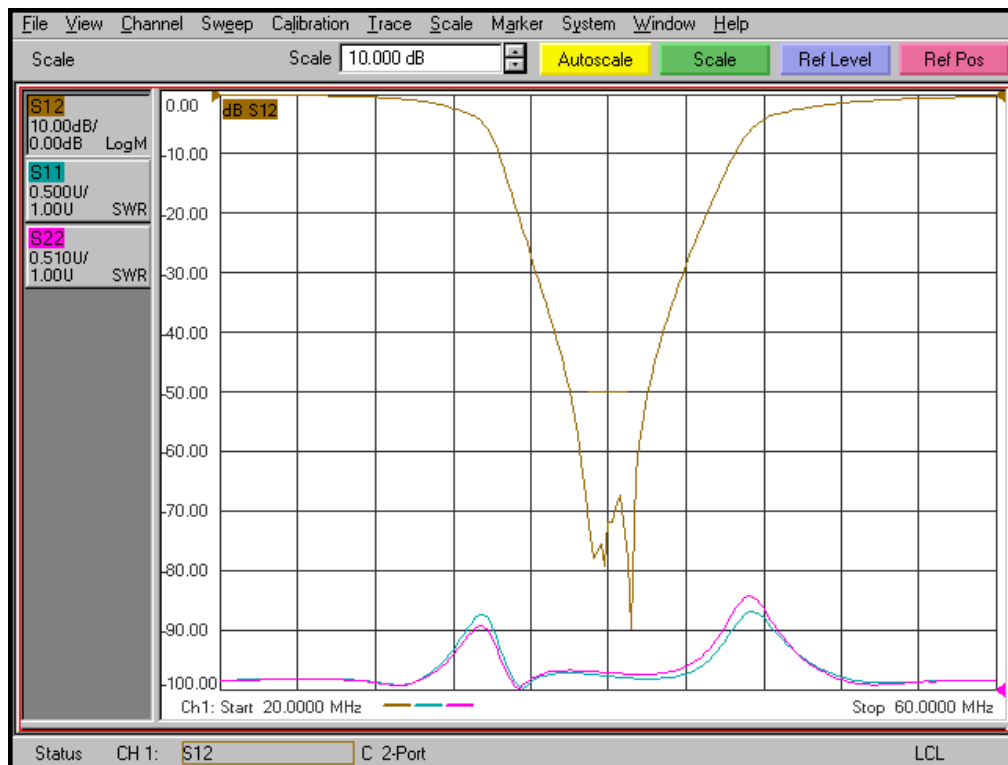
KR Electronics part number 3092 is a 40 MHz absorptive notch filter. The filter has a typical 3 dB bandwidth of 16.5 MHz and has a maintains 50 dB rejection from 39 MHz to 41 MHz. The filter is absorptive in both the forward and reverse direction providing excellent match even at the notch frequency. Other center frequencies and bandwidths are available. Please consult the factory.

Features

- 40 MHz Absorptive Notch
- Absorptive in both directions forward and reverse
- 16.5 MHz typical 3 dB Bandwidth
- 50 dB min notch rejection
- 50 Ω Source and Load
- Surface Mount

Typical Performance

Overall Response & VSWR In/Out (10 dB/div & 0.5/div)

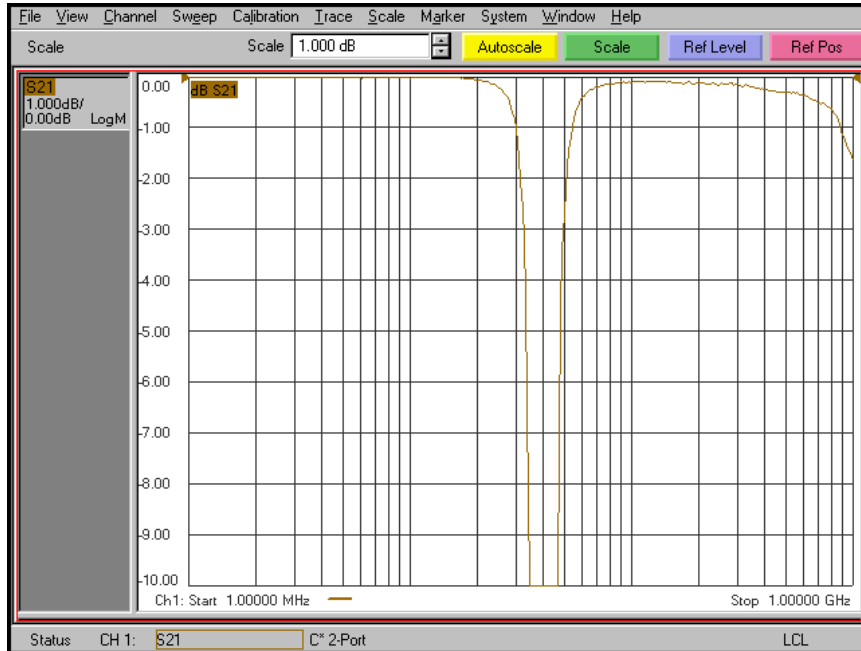


KR Electronics, Inc.
91 Avenel Street
Avenel, NJ 07001

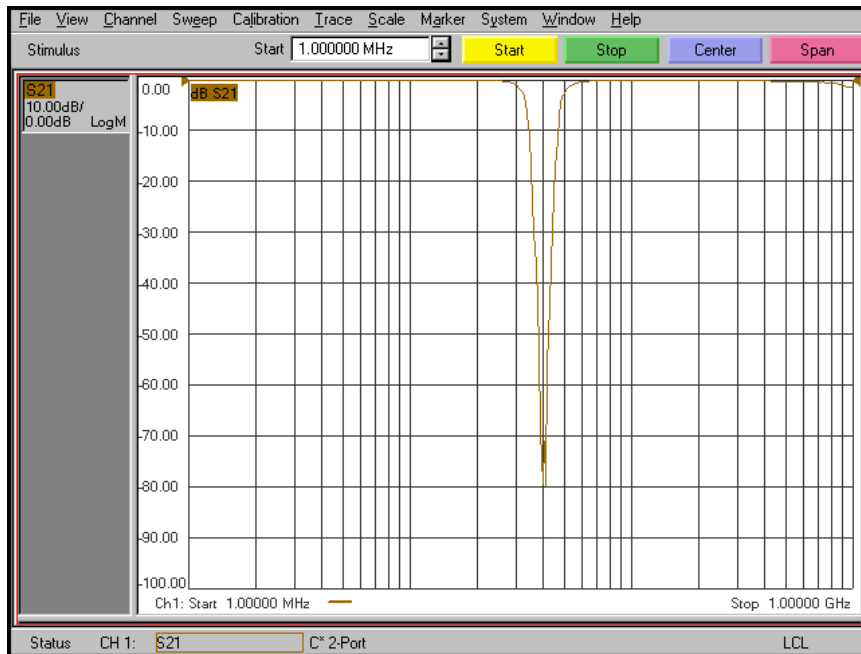
Web www.krfilters.com
Email sales@krfilters.com
Phone (732) 636-1900
Fax (732) 636-1982

Typical Performance

Passband Amplitude to 1 GHz (1 dB/div)



Overall Response (10 dB/div)



KR Electronics, Inc.
91 Avenel Street
Avenel, NJ 07001

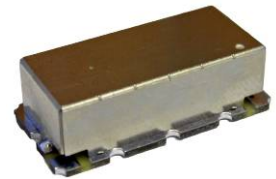
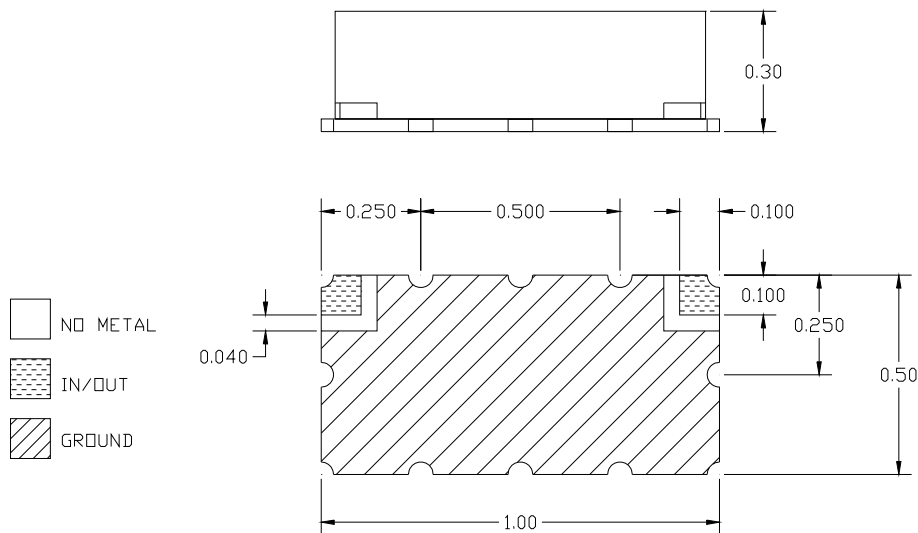
Web www.krfilters.com
Email sales@krfilters.com
Phone (732) 636-1900
Fax (732) 636-1982

KR Electronics 3092

Specifications

Parameter	Specification	Notes
Filter type	Absorptive Notch Filter	
Notch frequency	40 MHz	
Attenuation at 39 to 41 MHz	50 dB min	60 dB typical
3 dB Bandwidth	16.5 MHz typical	
Source and Load	50 Ω	

Physical Dimensions



Notes:

1. Surface mount package — Metal cover
2. Dimensions in inches
3. Maximum reflow temperature is 209° C for 10 sec maximum.
4. If boards are cleaned after installation, dry units completely.

KR Electronics, Inc.
91 Avenel Street
Avenel, NJ 07001

Web www.krfilters.com
Email sales@krfilters.com
Phone (732) 636-1900
Fax (732) 636-1982