

KR Electronics, Inc.

General Description

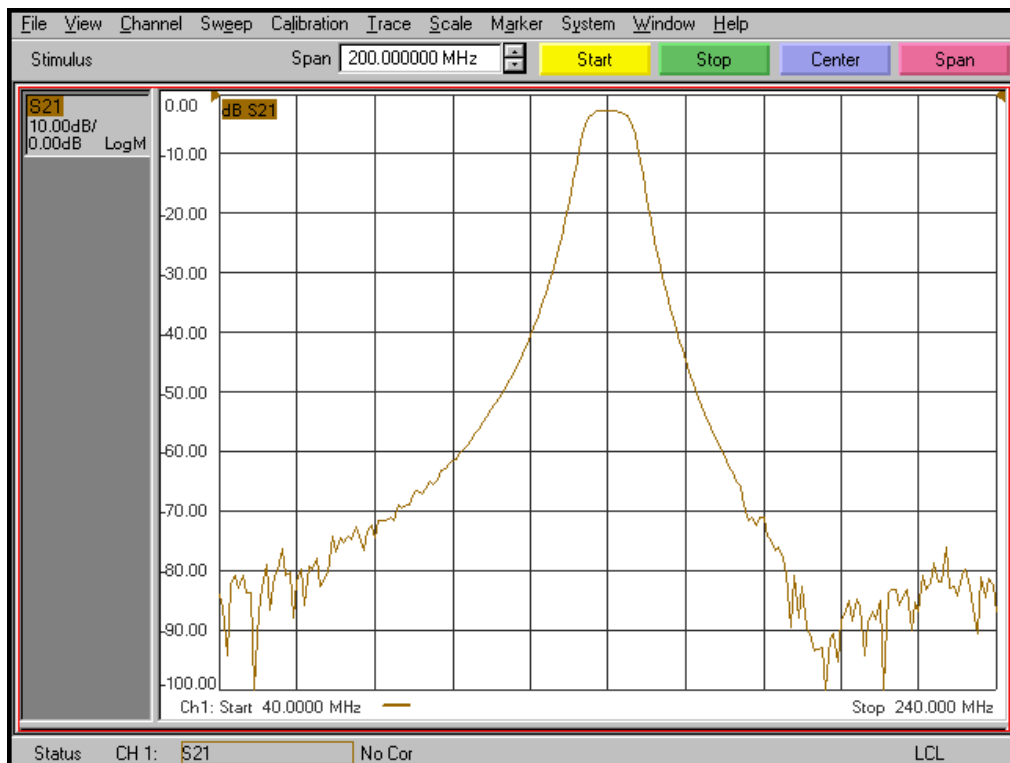
KR Electronics part number 3071 is a 140 MHz bandpass filter. The filter has a minimum 1 dB bandwidth of 9 MHz and a typical 40 dB bandwidth of 40 MHz. Other center frequencies and bandwidths are available. Please consult the factory.

Features

- 140 MHz Bandpass Filter
- 9 MHz minimum 1 dB Bandwidth
- 40 MHz typical 40 dB Bandwidth
- 50 Ω Source and Load
- Surface mount
- Also available with SMA Connectors

Typical Performance

Overall Response
(10 dB/div)

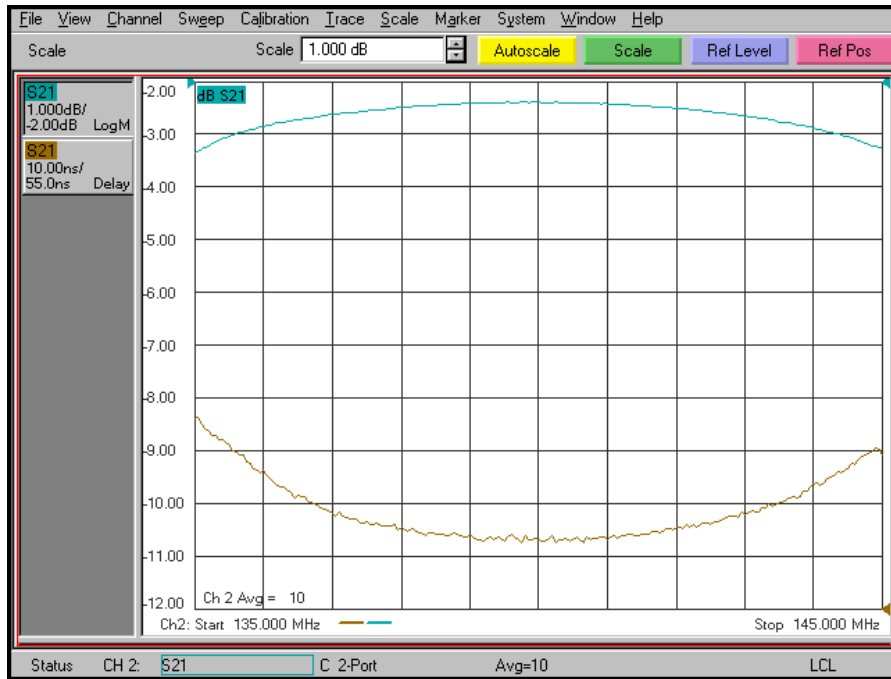


KR Electronics, Inc.
91 Avenel Street
Avenel, NJ 07001

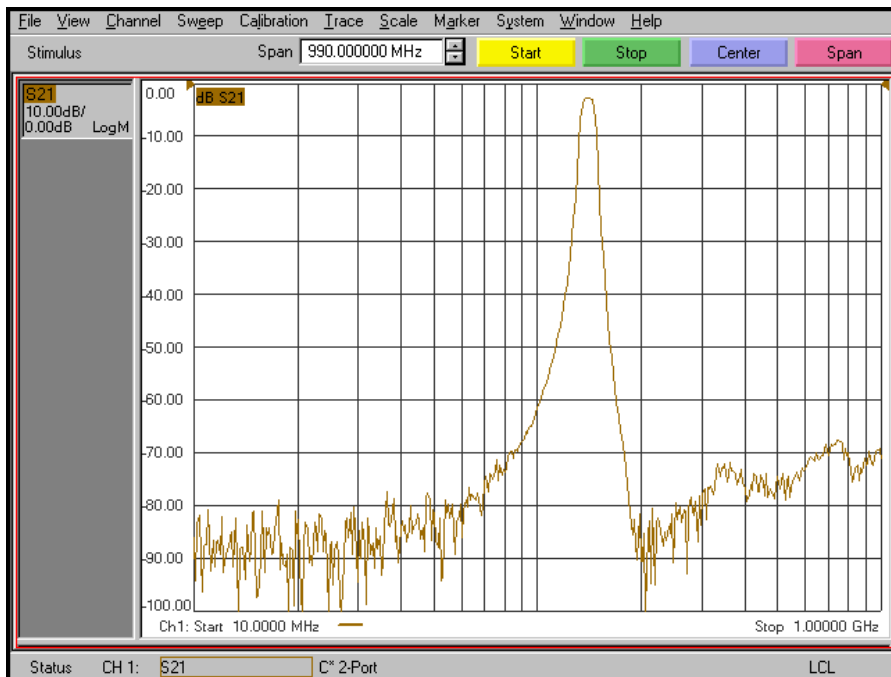
Web www.krfilters.com
Email sales@krfilters.com
Phone (732) 636-1900
Fax (732) 636-1982

KR Electronics 3071

Passband Amplitude & Group Delay (1 dB/div & 10 nsec/div)



Overall Response (10 dB/div)



KR Electronics, Inc.
91 Avenel Street
Avenel, NJ 07001

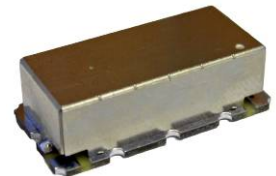
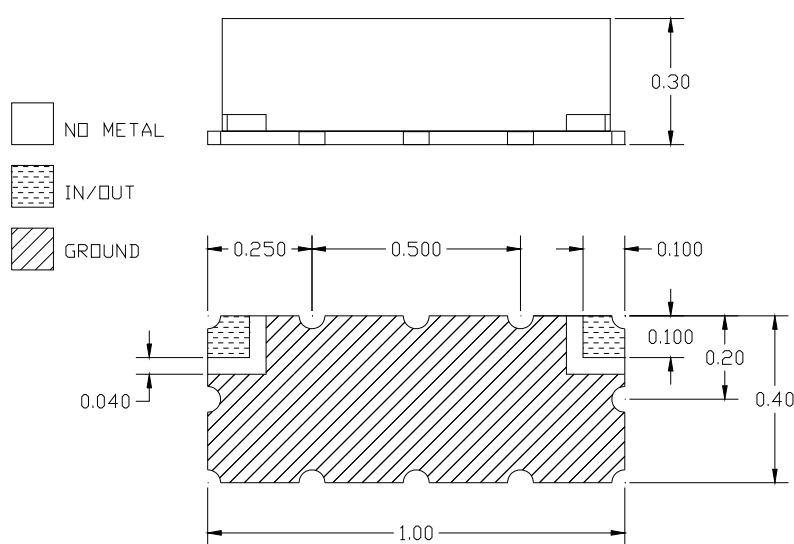
Web www.krfilters.com
Email sales@krfilters.com
Phone (732) 636-1900
Fax (732) 636-1982

KR Electronics 3071

Specifications

Parameter	Specification	
Filter type	Bandpass	
Center Frequency	140 MHz	
Insertion Loss	4 dB max	2.5 dB typical
1 dB Bandwidth	9 MHz min	10 MHz typical
3 dB Bandwidth	12.8 MHz typical	
40 dB Bandwidth	40 MHz typical	
60 dB Bandwidth	71 MHz typical	
Source and Load	50 Ω	

Physical Dimensions



Notes:

1. Surface mount package
2. Dimensions in inches
3. Max reflow temperature 230° C for 10 sec
4. If boards are cleaned after installation units must be completely dried