

KR Electronics, Inc.

General Description

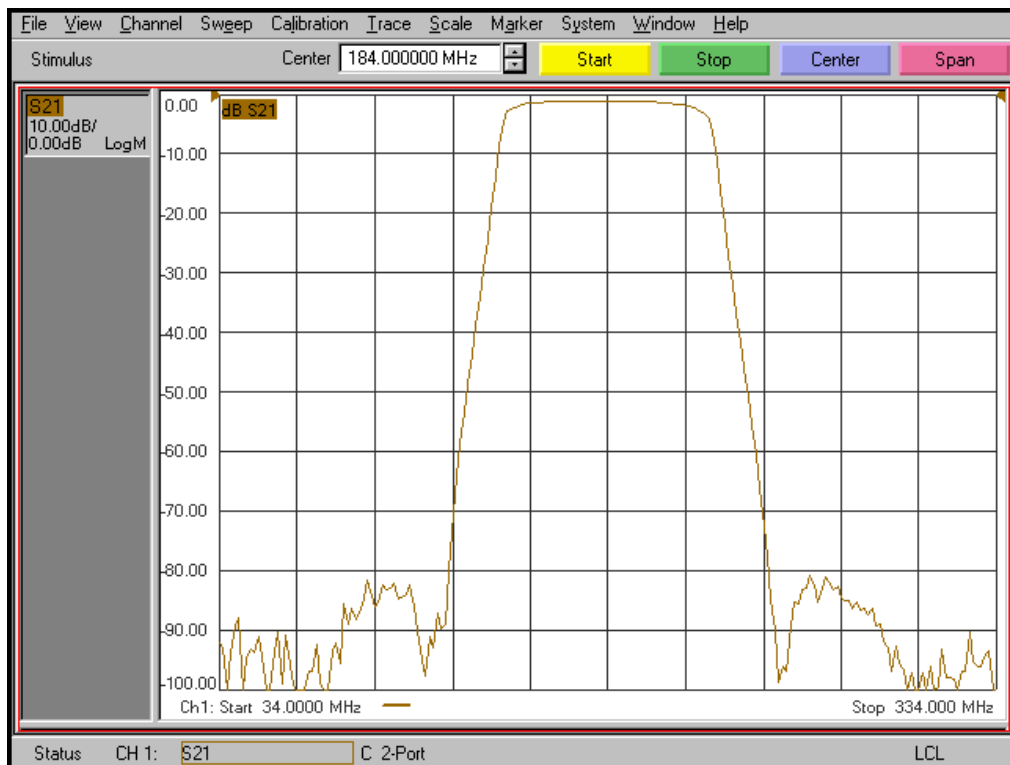
KR Electronics part number 3067 is a 184 MHz bandpass filter. The filter has a minimum 1 dB bandwidth of 50 MHz and maximum 60 dB bandwidth of 122 MHz. Other center frequencies and bandwidths are available. Please consult the factory.

Features

- 184 MHz Bandpass Filter
- Sharp Elliptic Type Design
- 50 Ω Source and Load
- Surface mount
- Also available with SMA Connectors

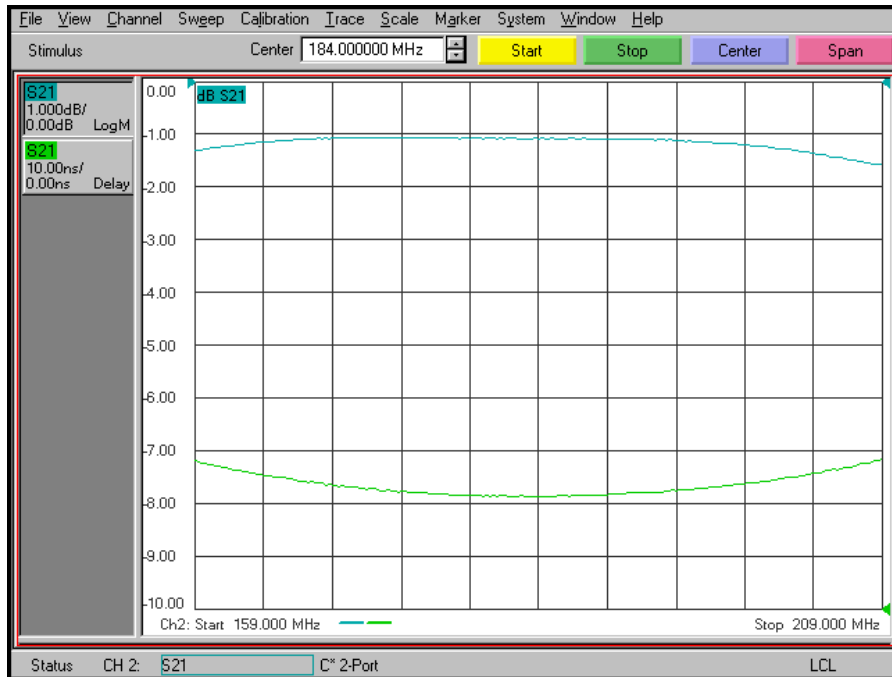
Typical Performance

Overall Response
(10 dB/div)

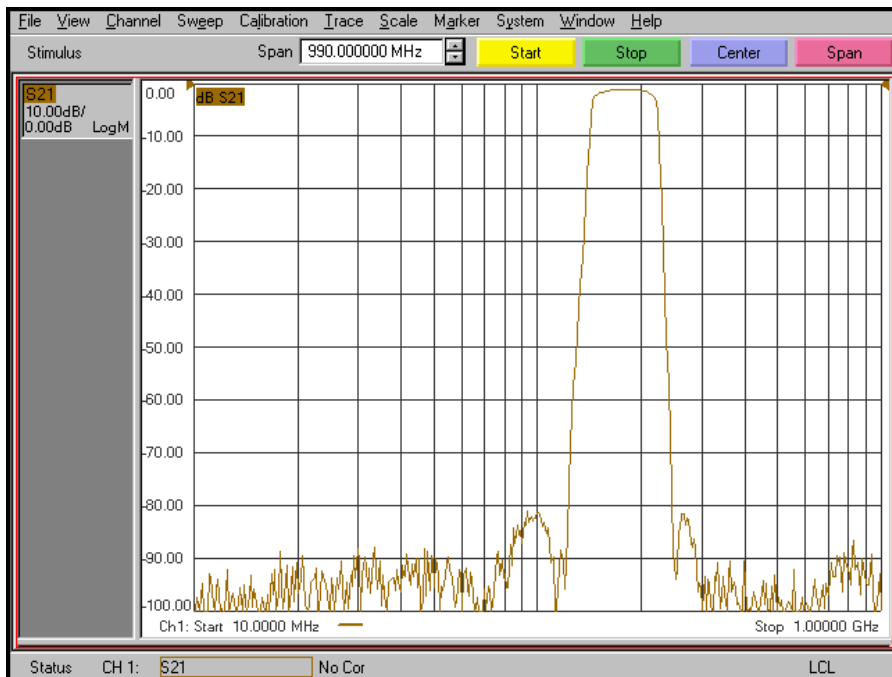


KR Electronics 3067

Passband Amplitude & Group Delay (1 dB/div & 10 nsec/div)



Overall Response (10 dB/div)



KR Electronics, Inc.
91 Avenel Street
Avenel, NJ 07001

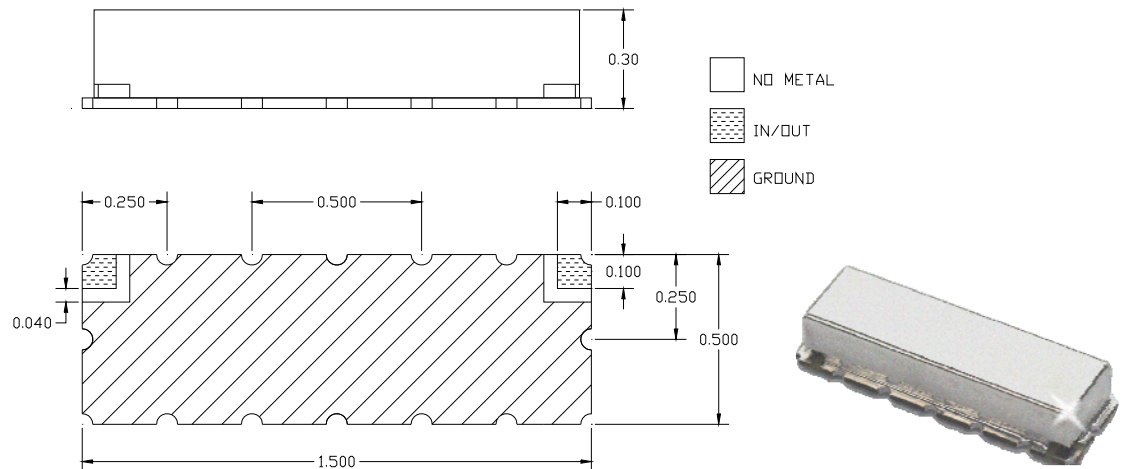
Web www.krfilters.com
Email sales@krfilters.com
Phone (732) 636-1900
Fax (732) 636-1982

KR Electronics 3067

Specifications

Parameter	Specification	
Filter type	Bandpass	
Center Frequency	184 MHz	
Insertion Loss at Center Frequency	3 dB max	1 dB typical
1 dB Bandwidth	50 MHz min	
60 dB Bandwidth	122 MHz max	
Source and Load	50 Ω	

Physical Dimensions



Notes:

1. Surface mount package
2. Dimensions in inches
3. Max reflow temperature 230° C for 10 sec
4. If boards are cleaned after installation units must be completely dried

KR Electronics, Inc.
91 Avenel Street
Avenel, NJ 07001

Web www.krfilters.com
Email sales@krfilters.com
Phone (732) 636-1900
Fax (732) 636-1982