

# KR Electronics, Inc.

## General Description

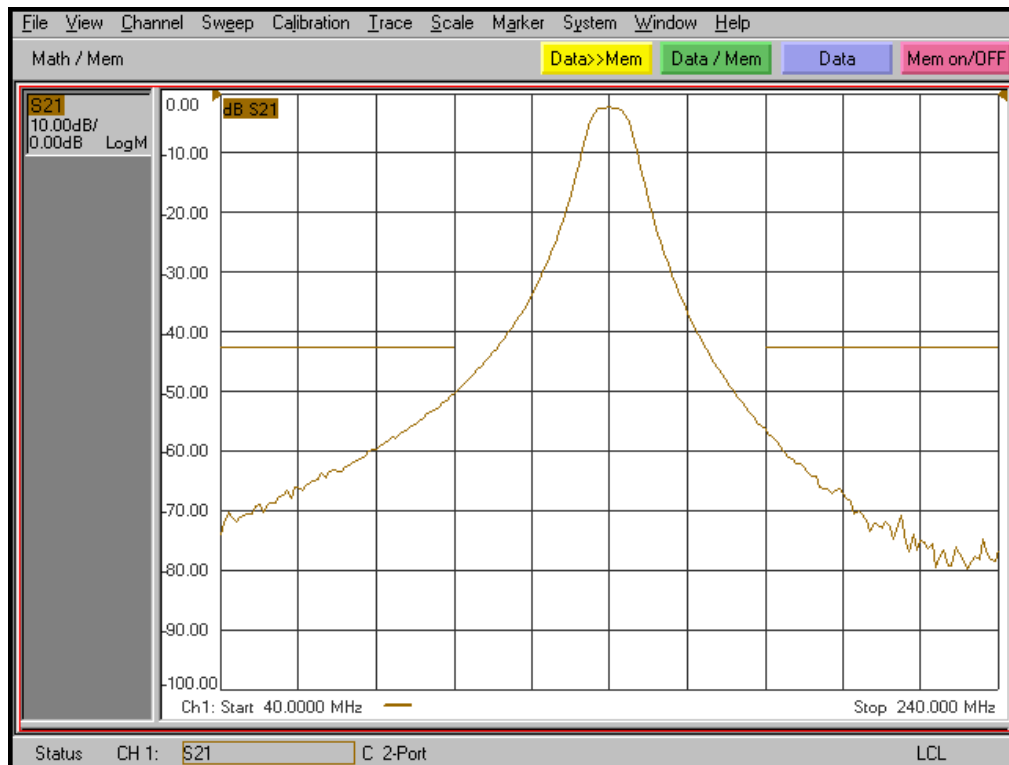
KR Electronics part number 3030-140-5 is a 140 MHz bandpass filter. The filter has a minimum 1 dB bandwidth of 5 MHz. Other center frequencies and are bandwidths available. Please consult the factory.

### Features

- 140 MHz Bandpass
- 1 dB Bandwidth 5 MHz min
- 50  $\Omega$  Source and Load
- Surface Mount

## Typical Performance

### Overall Response (10 dB/div)



KR Electronics, Inc.  
91 Avenel Street  
Avenel, NJ 07001

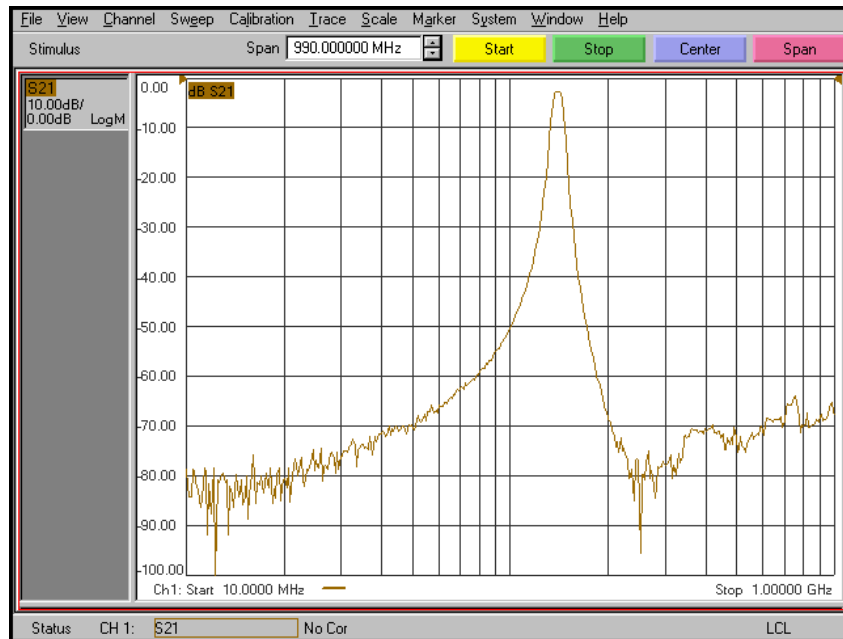
Web [www.krfilters.com](http://www.krfilters.com)  
Email [sales@krfilters.com](mailto:sales@krfilters.com)  
Phone (732) 636-1900  
Fax (732) 636-1982

## Typical Performance

### Passband Amplitude & Group Delay (1 dB/div & 5 nsec/div)



### Overall Response (10 dB/div)



KR Electronics, Inc.  
91 Avenel Street  
Avenel, NJ 07001

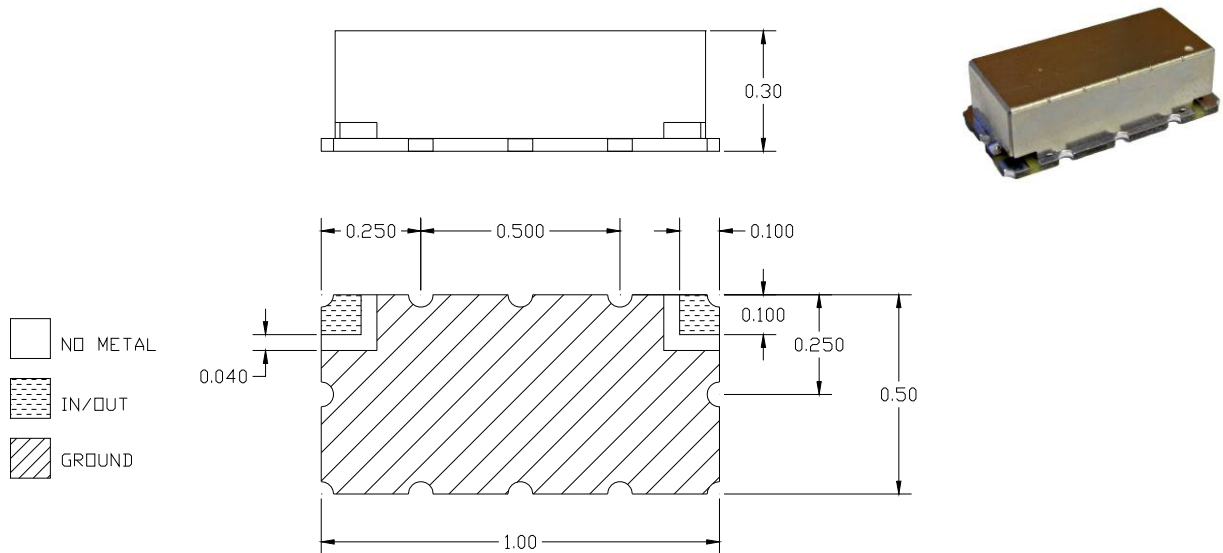
Web www.krfilters.com  
Email sales@krfilters.com  
Phone (732) 636-1900  
Fax (732) 636-1982

# KR Electronics 3030-140-5

## Specifications

Parameter	Specification	
Filter type	Bandpass	
Center Frequency	140 MHz	
Insertion Loss	3.5 dB max	2.25 dB typical
1 dB Bandwidth	5 MHz min	7.8 MHz typical
Rejection at 100 MHz & 180 MHz	40 dB min	
3 dB Bandwidth	10.6 MHz typical	
20 dB Bandwidth	24 MHz typical	
40 dB Bandwidth	53 MHz typical	
60 dB Bandwidth	117 MHz typical	
Source and Load	50 Ω	

## Physical Dimensions



### Notes:

1. Surface mount package
2. Dimensions in inches
3. Max reflow temperature 230° C for 10 sec
4. If boards are cleaned after installation units must be completely dried

KR Electronics, Inc.  
91 Avenel Street  
Avenel, NJ 07001

Web [www.krfilters.com](http://www.krfilters.com)  
Email [sales@krfilters.com](mailto:sales@krfilters.com)  
Phone (732) 636-1900  
Fax (732) 636-1982