

KR Electronics, Inc.

General Description

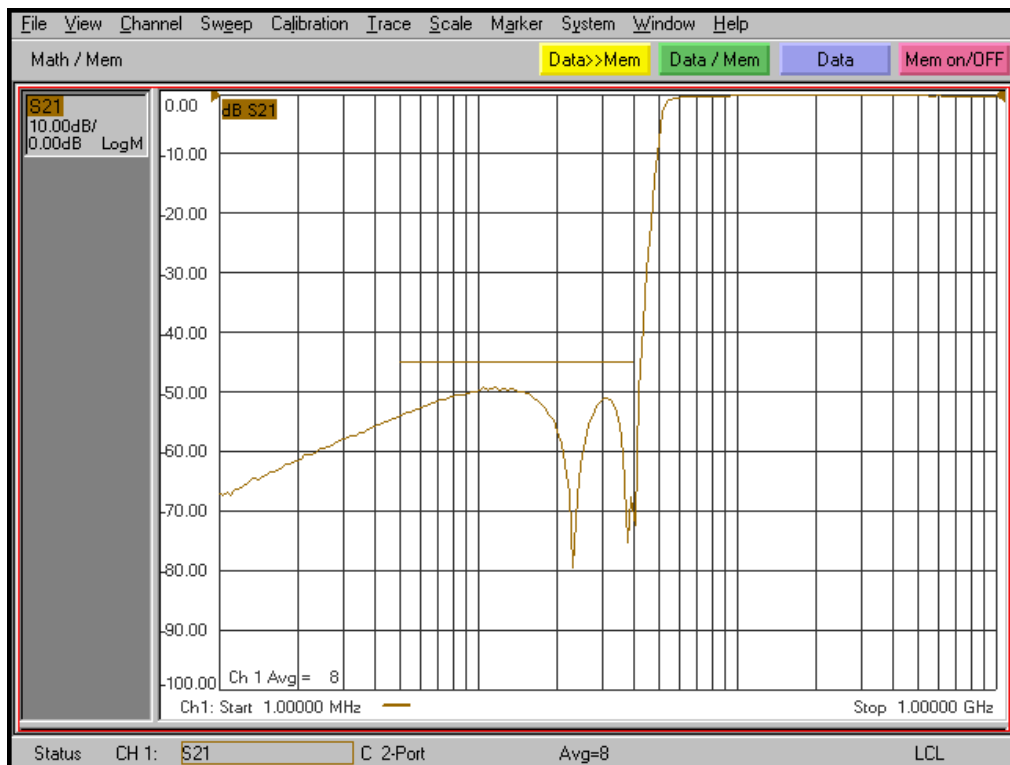
KR Electronics part number 3028+ is a 54 MHz elliptic type highpass filter. The filter attains a minimum of 45 dB (50 dB typical) at 40 MHz. Other frequencies are available. Please consult the factory.

Features

- 54 MHz Highpass
- 45 dB min at 40 MHz
- Sharp Transition to Stopband
- RoHS
- 75 Ω Source and Load

Typical Performance

Overall Response (10 dB/div)



KR Electronics, Inc.
91 Avenel Street
Avenel, NJ 07001

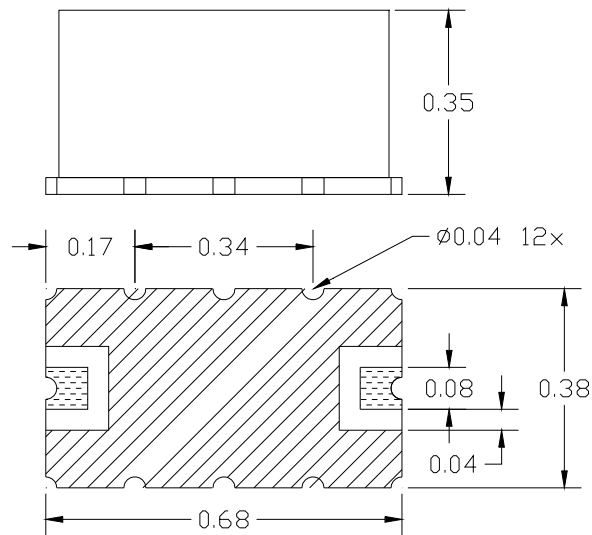
Web www.krfilters.com
Email sales@krfilters.com
Phone (732) 636-1900
Fax (732) 636-1982

KR Electronics 3028+

Specifications

Parameter	Specification	
Filter type	Highpass	
Passband (<2 dB)	54 MHz to 1000 MHz	<1 dB typical
Rejection DC to 40 MHz	45 dB min	50 dB typical
Source and Load	75 Ω	
RoHS	Yes	

Physical Dimensions



Notes:

1. Surface mount package
2. Dimensions in inches
3. Max reflow temperature 230° C for 10 sec
4. If boards are cleaned after installation units must be completely dried

KR Electronics, Inc.
91 Avenel Street
Avenel, NJ 07001

Web www.krfilters.com
Email sales@krfilters.com
Phone (732) 636-1900
Fax (732) 636-1982