

# KR Electronics, Inc.

## General Description

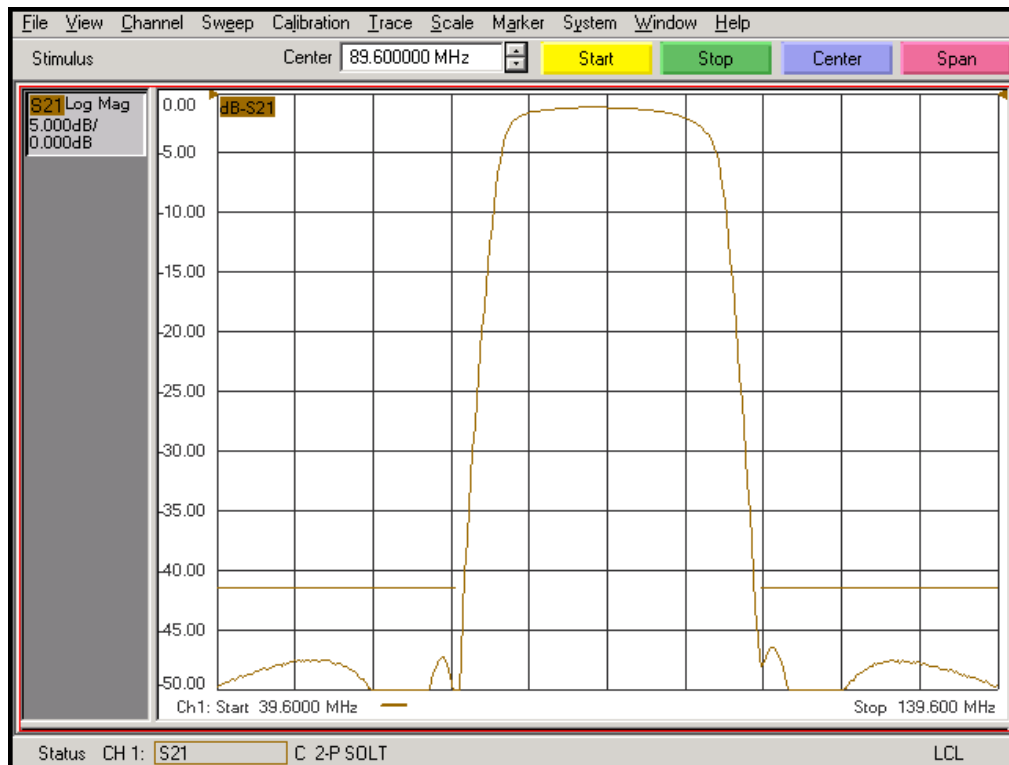
KR Electronics part number 3027R is a 89.6 MHz bandpass filter. The filter has a minimum 3.5 dB bandwidth of 26 MHz. Other center frequencies and are bandwidths available. Please consult the factory.

### Features

- 89.6 MHz Bandpass
- 3.5 dB Bandwidth 26 MHz min
- Selective Elliptic Response
- 50  $\Omega$  Source and Load
- Surface Mount

## Typical Performance

### Overall Response (5 dB/div)

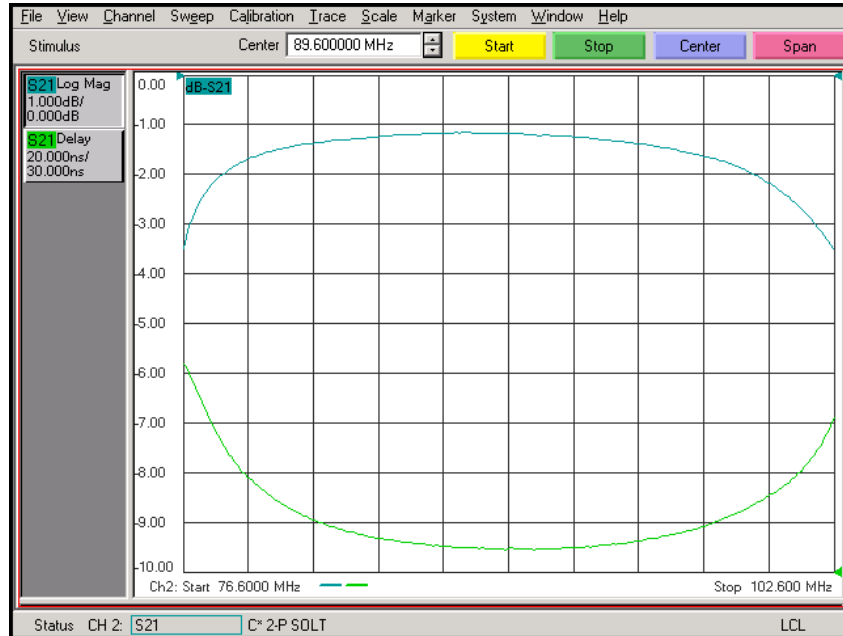


KR Electronics, Inc.  
91 Avenel Street  
Avenel, NJ 07001

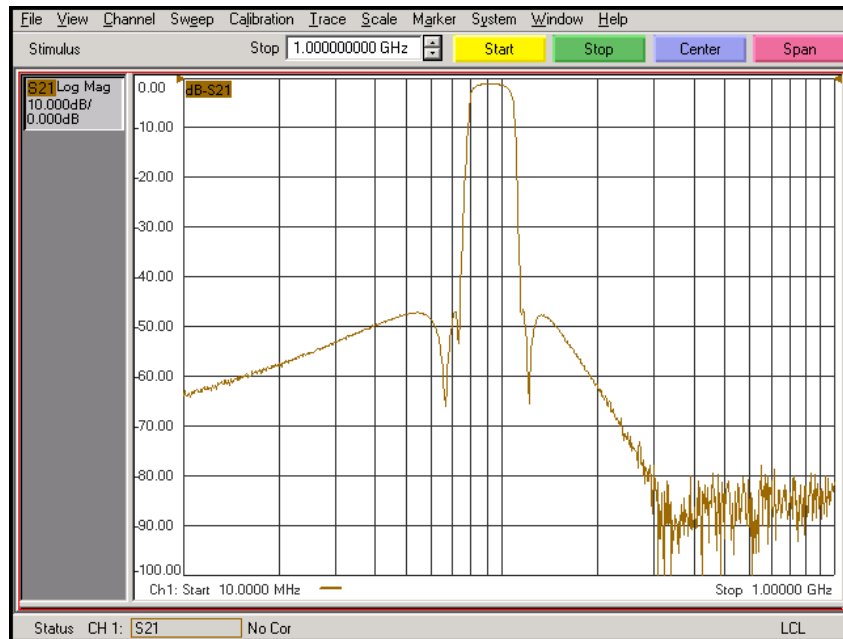
Web [www.krfilters.com](http://www.krfilters.com)  
Email [sales@krfilters.com](mailto:sales@krfilters.com)  
Phone (732) 636-1900  
Fax (732) 636-1982

## Typical Performance

### Passband Amplitude & Group Delay (1 dB/div 20 nsec/div)



### Overall Response (10 dB/div)



KR Electronics, Inc.  
91 Avenel Street  
Avenel, NJ 07001

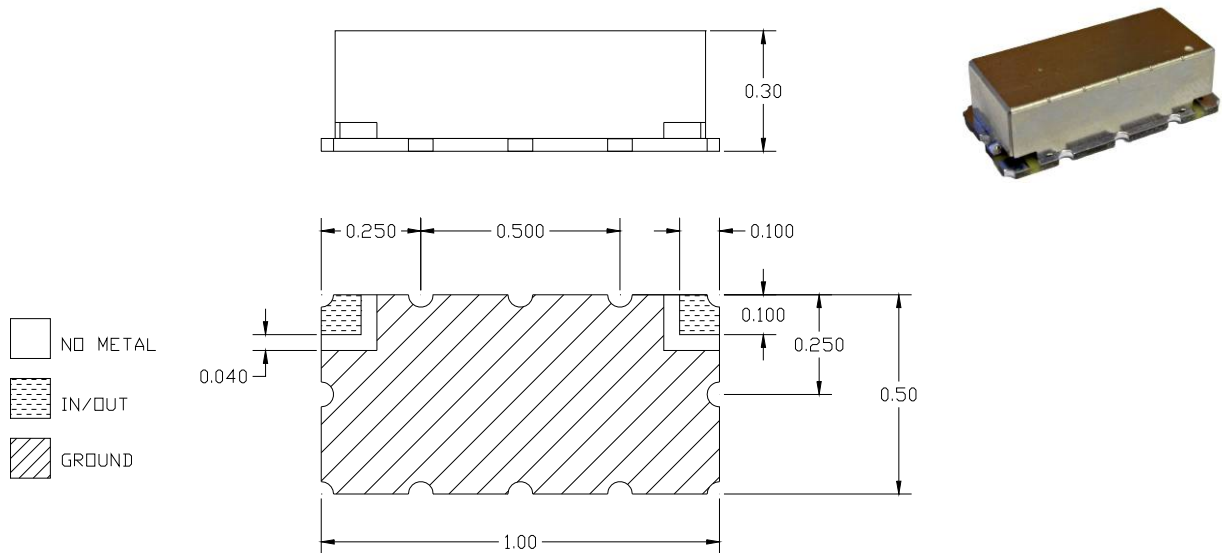
Web: www.krfilters.com  
Email: sales@krfilters.com  
Phone: (732) 636-1900  
Fax: (732) 636-1982

# KR Electronics 3027R

## Specifications

Parameter	Specification	
Filter type	Bandpass	
Center Frequency	89.6 MHz	
Insertion Loss	3 dB max	1.2 dB typical
3.5 dB Bandwidth	26 MHz min	
Rejection at 70.3 MHz	40 dB min	
Rejection at 109.3 MHz	40 dB min	
Source and Load	50 Ω	

## Physical Dimensions



**Notes:**

1. Surface mount package
2. Dimensions in inches
3. Max reflow temperature 230° C for 10 sec
4. If boards are cleaned after installation units must be completely dried

KR Electronics, Inc.  
91 Avenel Street  
Avenel, NJ 07001

Web [www.krfilters.com](http://www.krfilters.com)  
Email [sales@krfilters.com](mailto:sales@krfilters.com)  
Phone (732) 636-1900  
Fax (732) 636-1982