

KR Electronics, Inc.

General Description

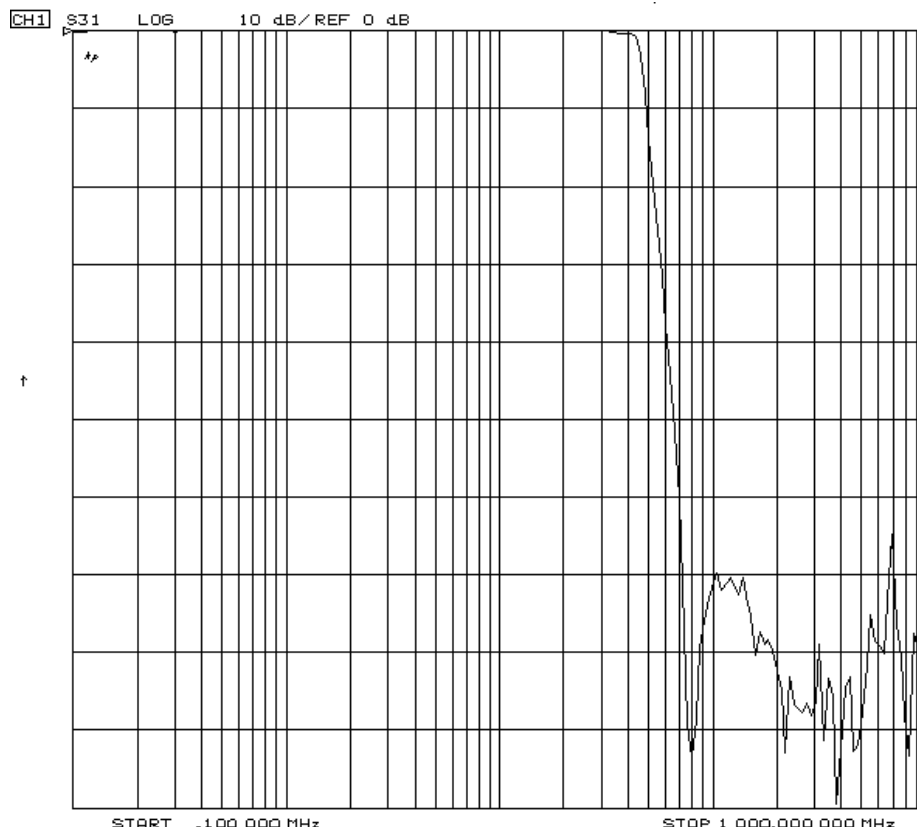
KR Electronics part number 3018-1+ is a 30 MHz lowpass filter. The filter attains over 50 dB by 70 MHz. Other frequencies are available. Please consult the factory.

Features

- 30 MHz Lowpass
- Minimum 1 dB Bandwidth 30 MHz
- Elliptic Type
- 50 dB min Attenuation by 70 MHz
- 50 Ω Source and Load
- Surface Mount
- Also available with SMA Connectors

Typical Performance

Overall Response (10 dB/div)

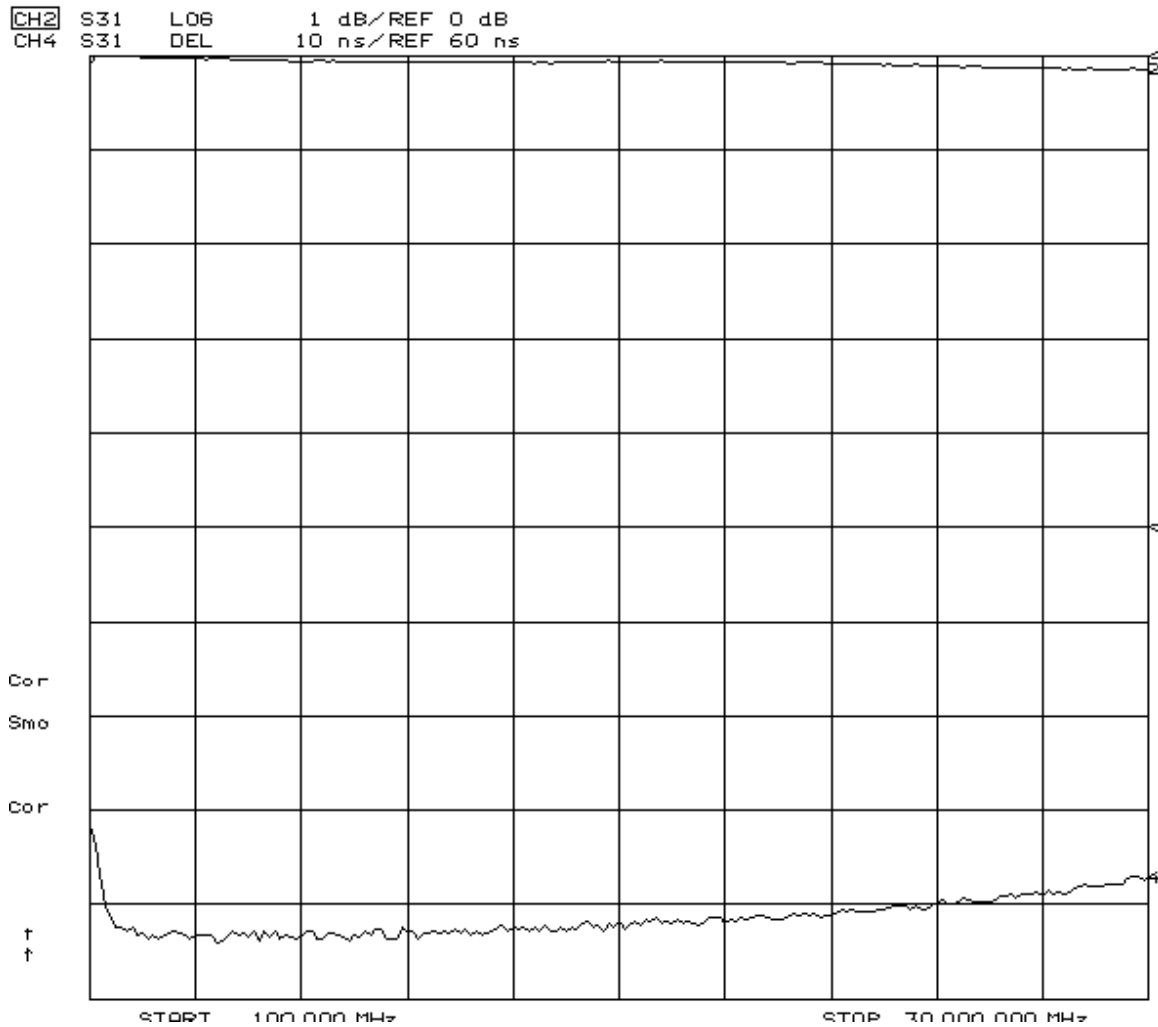


KR Electronics, Inc.
91 Avenel Street
Avenel, NJ 07001

Web www.krfilters.com
Email sales@krfilters.com
Phone (732) 636-1900
Fax (732) 636-1982

Typical Performance

Passband Amplitude & Group Delay (1 dB/div & 10 nsec/div)

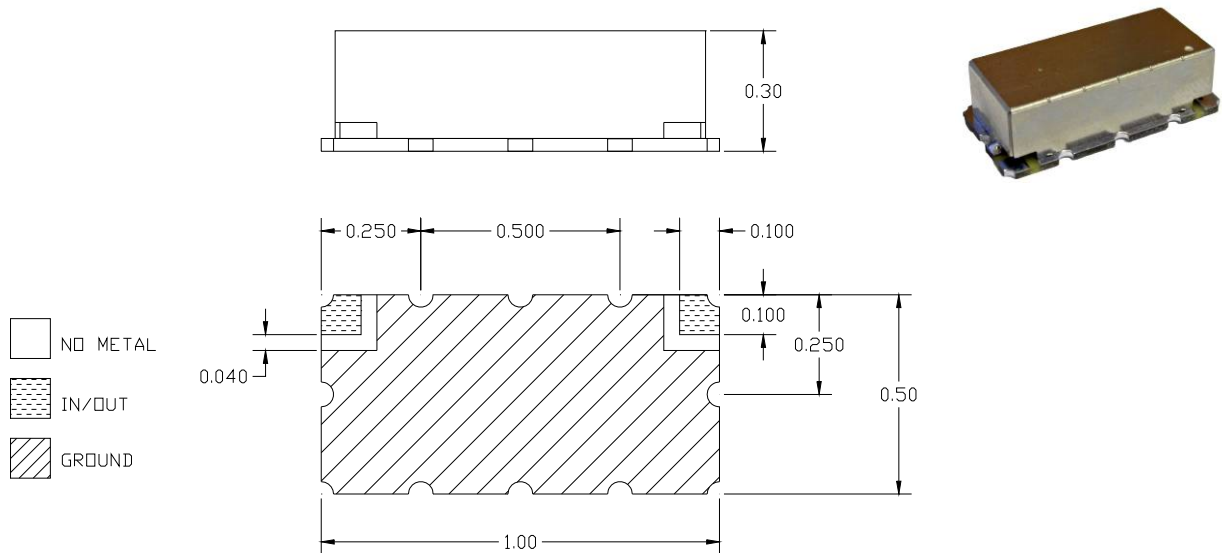


KR Electronics 3018-1+

Specifications

Parameter	Specification	
Filter type	Lowpass	
Insertion Loss at 30 MHz	1 dB max	Typical 1 dB bandwidth 44 MHz
Rejection at 70 MHz	50 dB min	60 dB typical
Source and Load	50 Ω	
RoHS	Yes	

Physical Dimensions



Notes:

1. Surface mount package
2. Dimensions in inches
3. Max reflow temperature 230° C for 10 sec
4. If boards are cleaned after installation units must be completely dried

KR Electronics, Inc.
91 Avenel Street
Avenel, NJ 07001

Web www.krfilters.com
Email sales@krfilters.com
Phone (732) 636-1900
Fax (732) 636-1982