

# KR Electronics, Inc.

## General Description

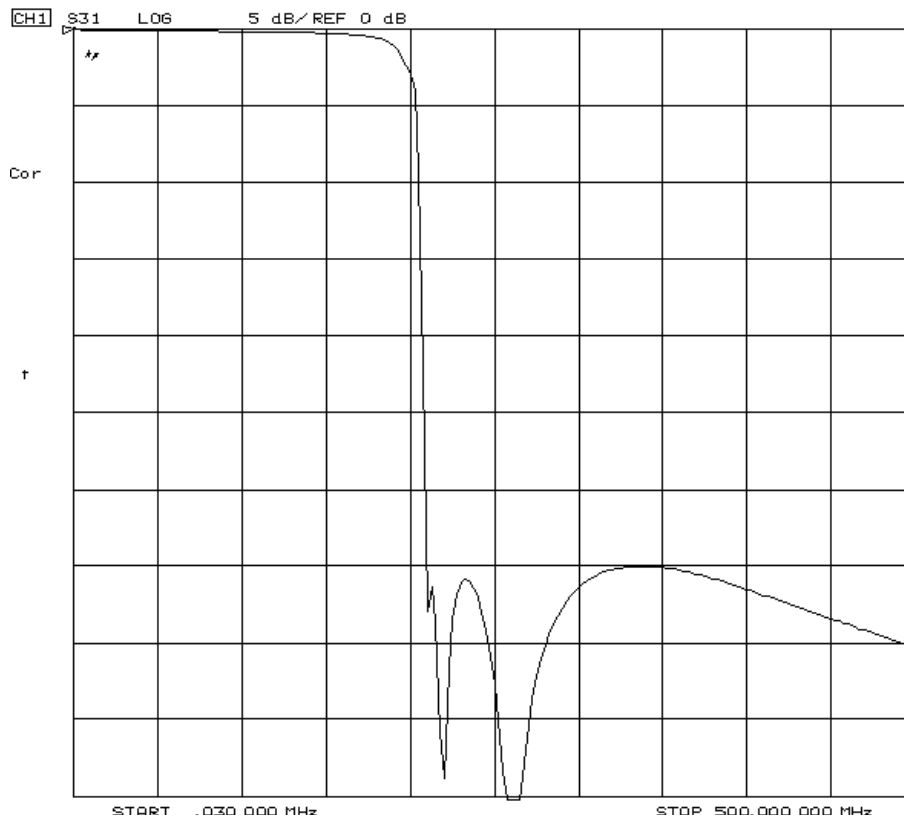
KR Electronics part number 3013-1 is a 185 MHz lowpass filter. Other bandwidths available. Please consult the factory.

### Features

- 185 MHz Lowpass
- 30 dB min at 210 MHz (50 dB typ)
- Sharp Transition to the Stopband
- 50  $\Omega$  Source and Load
- Surface Mount
- Also available with SMA Connectors

## Typical Performance

**Overall Response**  
(5 dB/div)

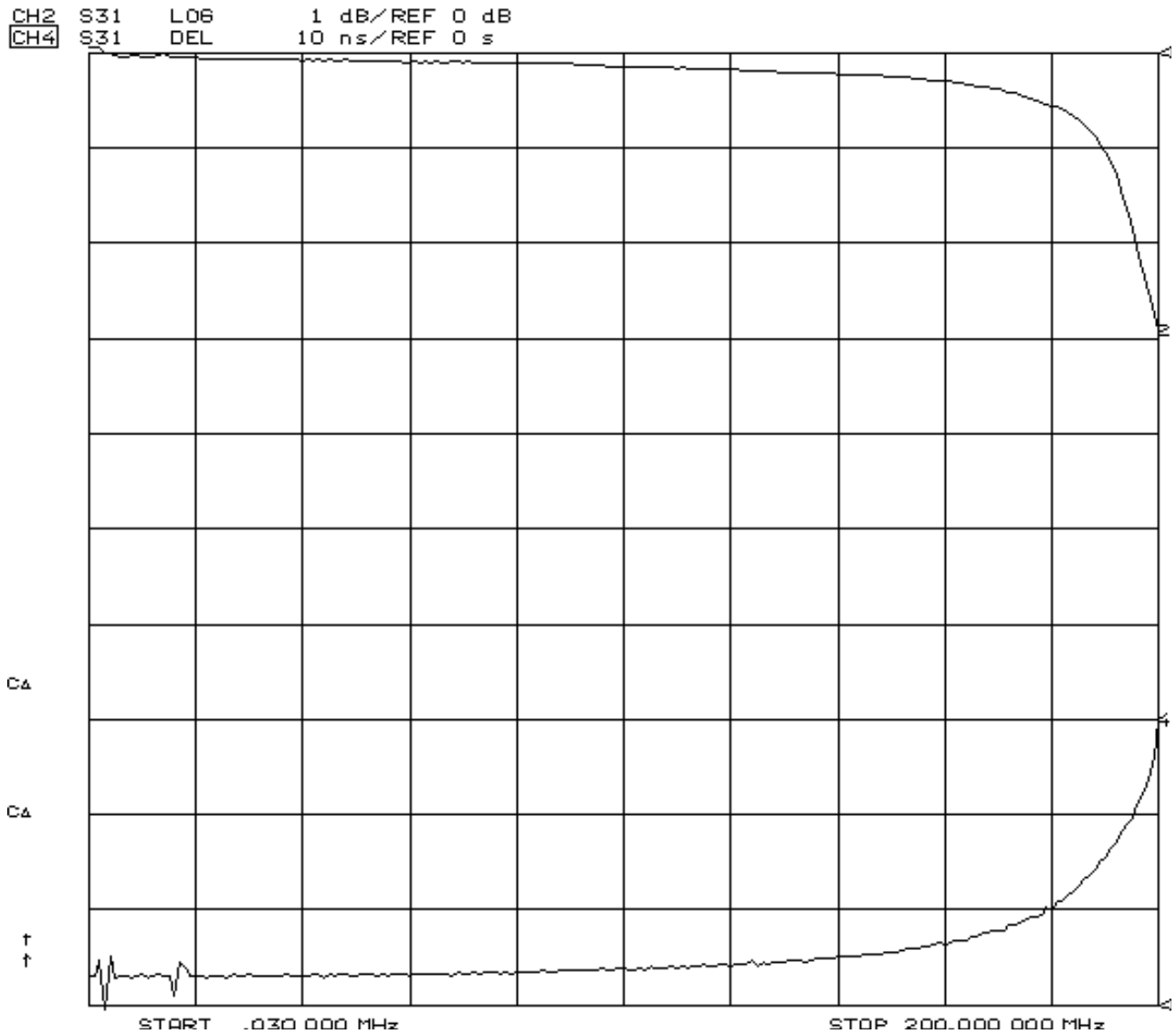


KR Electronics, Inc.  
91 Avenel Street  
Avenel, NJ 07001

Web [www.krfilters.com](http://www.krfilters.com)  
Email [sales@krfilters.com](mailto:sales@krfilters.com)  
Phone (732) 636-1900  
Fax (732) 636-1982

## Typical Performance

### Passband Amplitude & Group Delay (1 dB/div & 10 nsec/div)

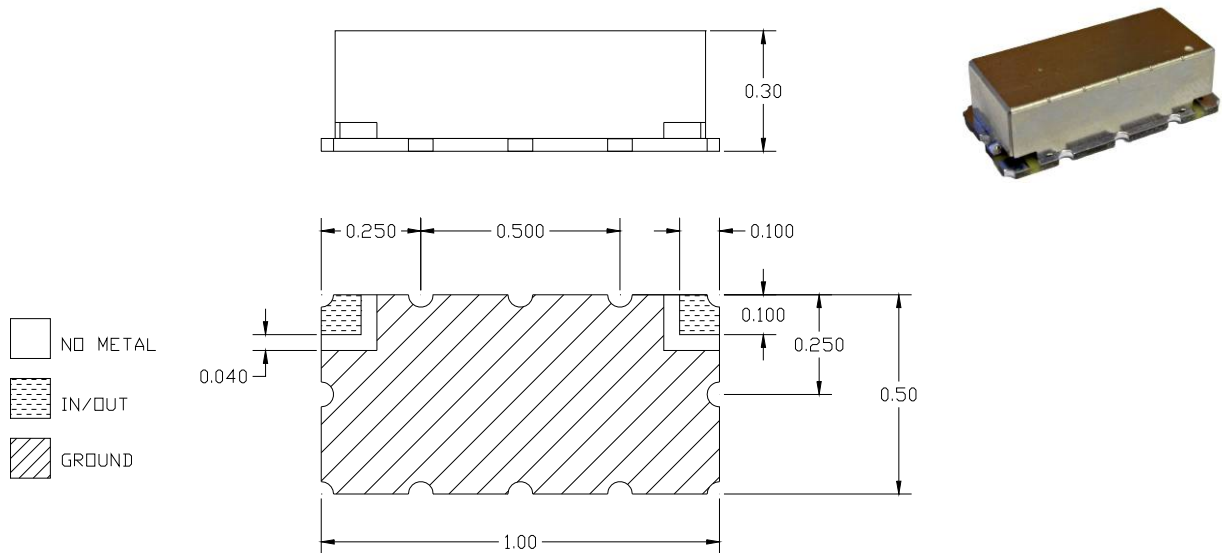


# KR Electronics 3013-1

## Specifications

Parameter	Specification
Filter type	Lowpass
End of Passband ( 1 dB max)	185 MHz
Attenuation 210 MHz	30 dB min
Source and Load	50 $\Omega$

## Physical Dimensions



### Notes:

1. Surface mount package
2. Dimensions in inches
3. Max reflow temperature 209° C for 10 sec
4. If boards are cleaned after installation units must be completely dried

KR Electronics, Inc.  
91 Avenel Street  
Avenel, NJ 07001

Web [www.krfilters.com](http://www.krfilters.com)  
Email [sales@krfilters.com](mailto:sales@krfilters.com)  
Phone (732) 636-1900  
Fax (732) 636-1982