

KR Electronics

General Description

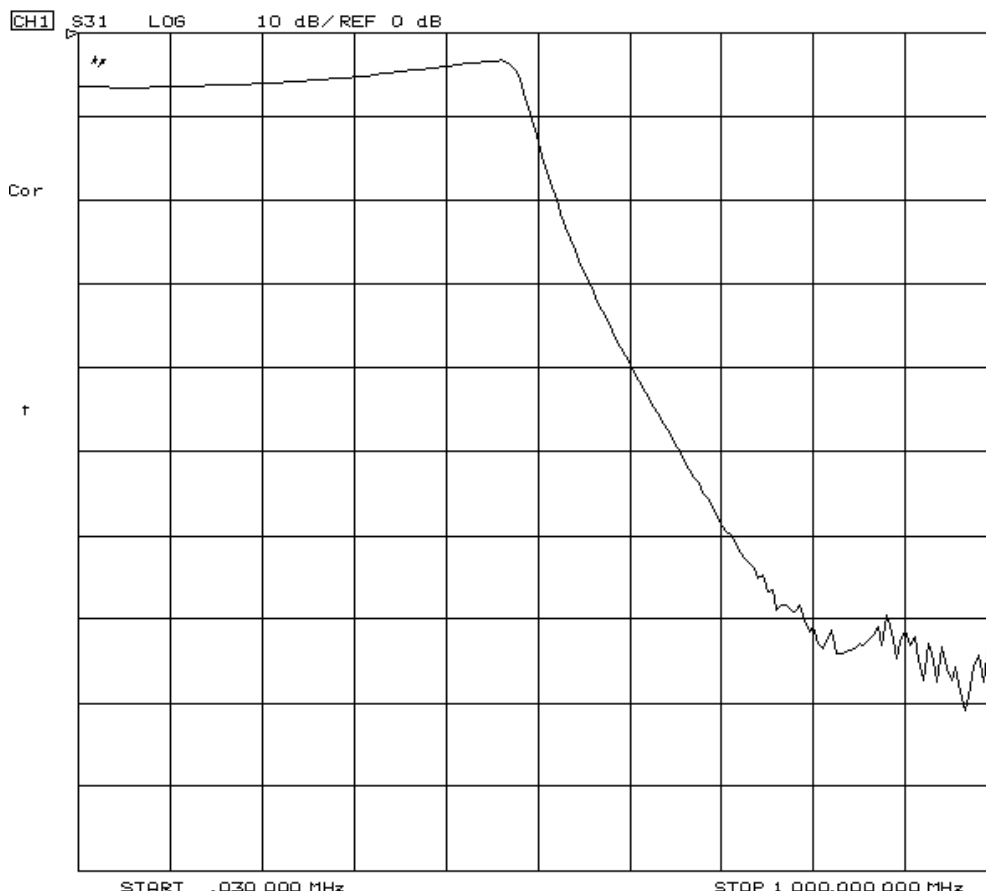
KR Electronics part number 3007+ is a 430 MHz lowpass filter. The filter is group delay equalized and has $\sin(x)/x$ correction. Other bandwidths are available. Please consult the factory.

Features

- 430 MHz Lowpass Filter
- Group Delay Equalized
- $\sin(x)/x$ Correction
- 50 Ω Source and Load
- Surface Mount
- Also available with SMA connectors

Typical Performance

Overall Response
(10 dB/div)

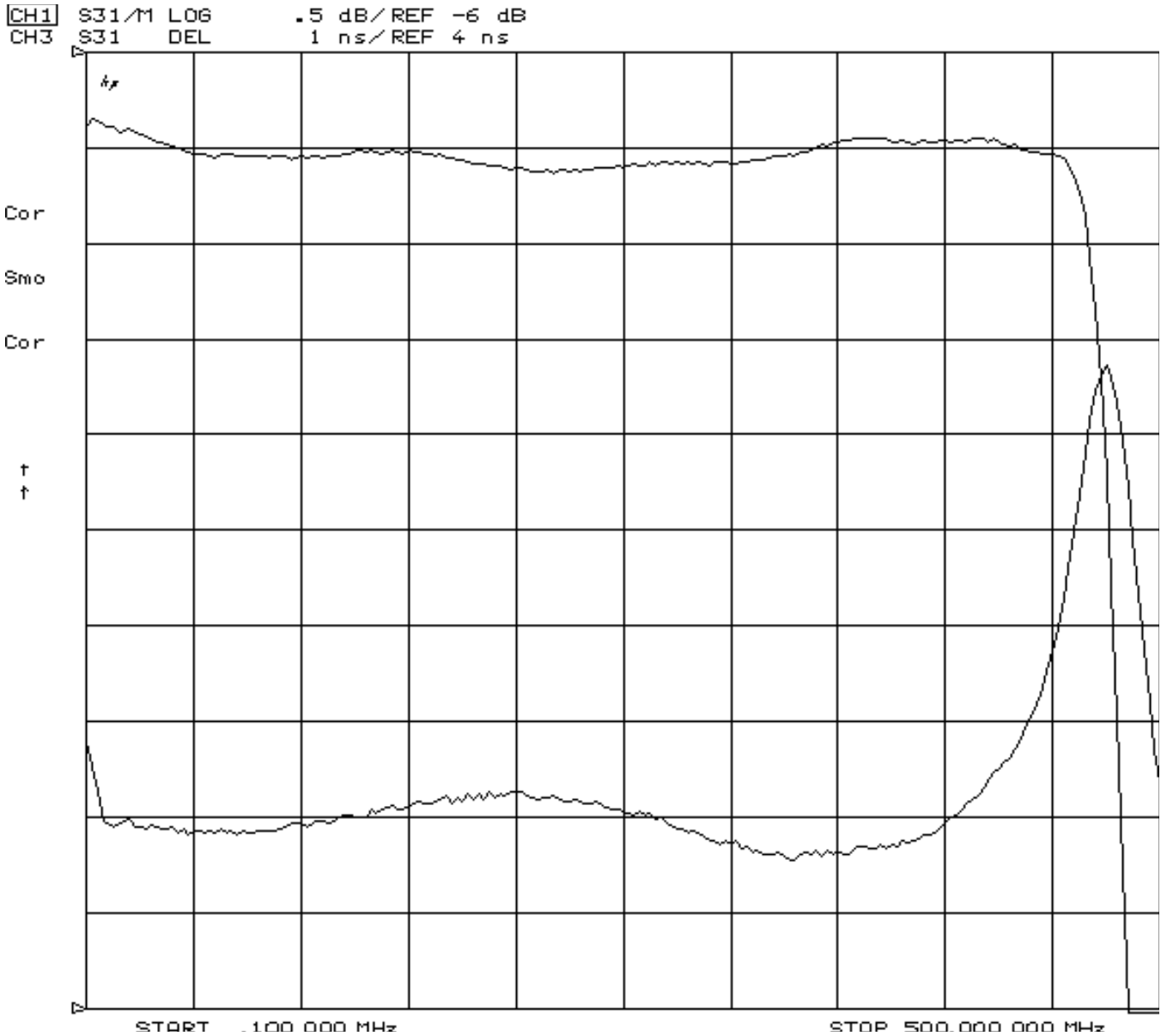


KR Electronics, Inc.
91 Avenel Street
Avenel, NJ 07001

Web www.krfilters.com
Email sales@krfilters.com
Phone (732) 636-1900
Fax (732) 636-1982

Typical Performance

Effective Passband Amplitude & Group Delay (0.5 dB/div & 1 nsec/div)

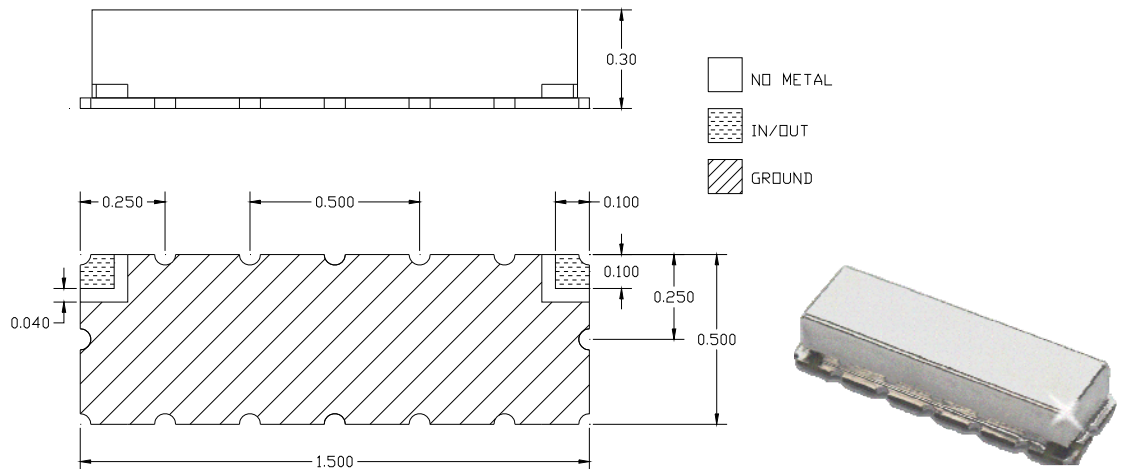


KR Electronics 3007+

Specifications

Parameter	Specification	Notes
Filter type	Lowpass	
End of Passband	430 MHz	
Effective Passband Ripple 270 MHz to 430 MHz	0.5 dB max	With Sin(x)/x correction for 979 MHz sampling frequency
Insertion Loss at 0.1 MHz	7 dB max	
Rejection at 549 MHz (Ref 430 MHz)	20 dB min	
Source and Load	50 Ω	

Physical Dimensions



Notes:

1. Surface mount package, metal cover
2. Dimensions in inches
3. Max reflow temperature 209° C for 10 sec
4. If boards are cleaned after installation units must be completely dried
5. Also available in metal case with SMA connectors

KR Electronics, Inc.
 91 Avenel Street
 Avenel, NJ 07001

Web www.krfilters.com
 Email sales@krfilters.com
 Phone (732) 636-1900
 Fax (732) 636-1982