

KR Electronics, Inc.

General Description

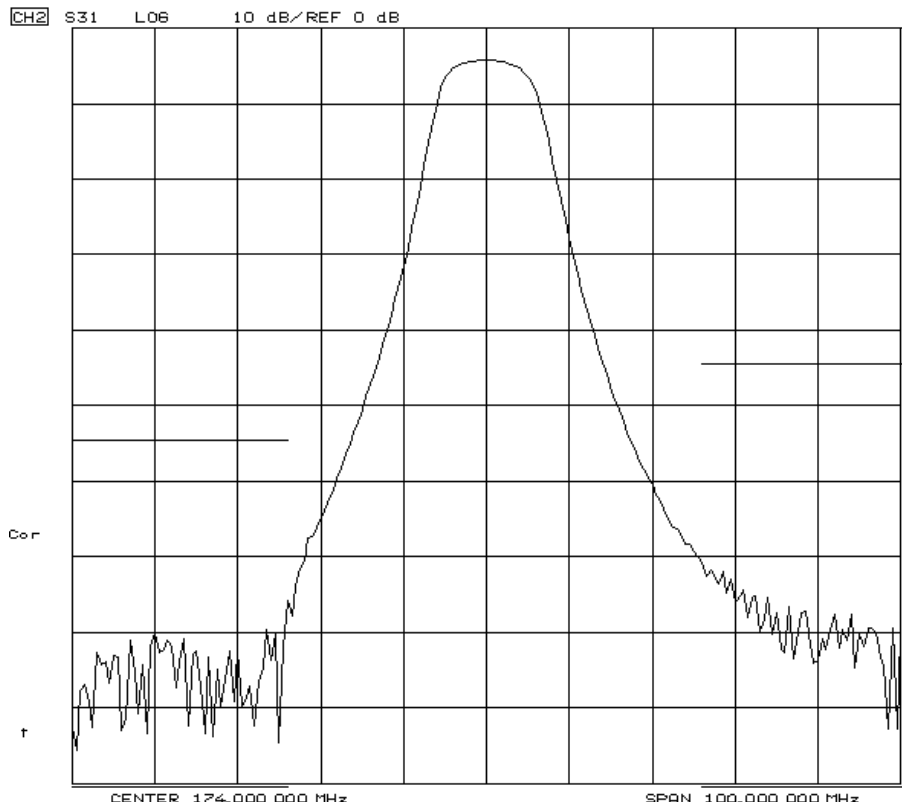
KR Electronics part number 3002 is a 174 MHz bandpass filter. The filter has a minimum 3 dB bandwidth of 8 MHz. Other center frequencies and bandwidths available. Please consult the factory.

Features

- 174 MHz Bandpass
- 8 MHz min 3 dB Bandwidth
- 50 Ω Source and Load
- Surface Mount
- Also available with SMA Connectors

Typical Performance

Overall Response
(10 dB/div)

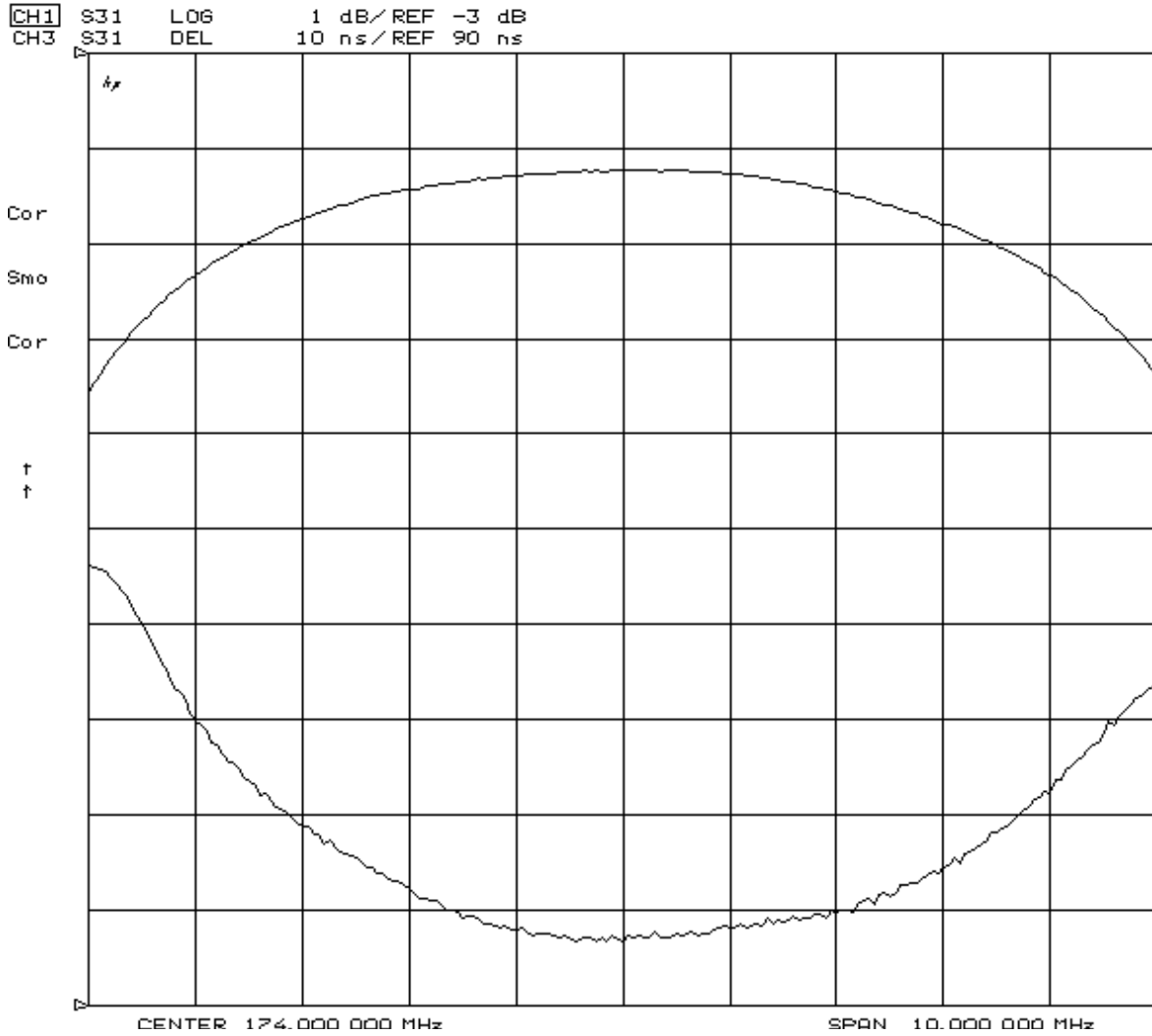


KR Electronics, Inc.
91 Avenel Street
Avenel, NJ 07001

Web www.krfilters.com
Email sales@krfilters.com
Phone (732) 636-1900
Fax (732) 636-1982

Typical Performance

Passband Amplitude & Group Delay (1 dB/div & 10 nsec/div)

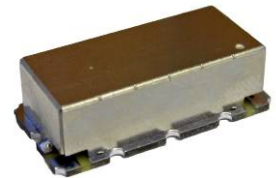
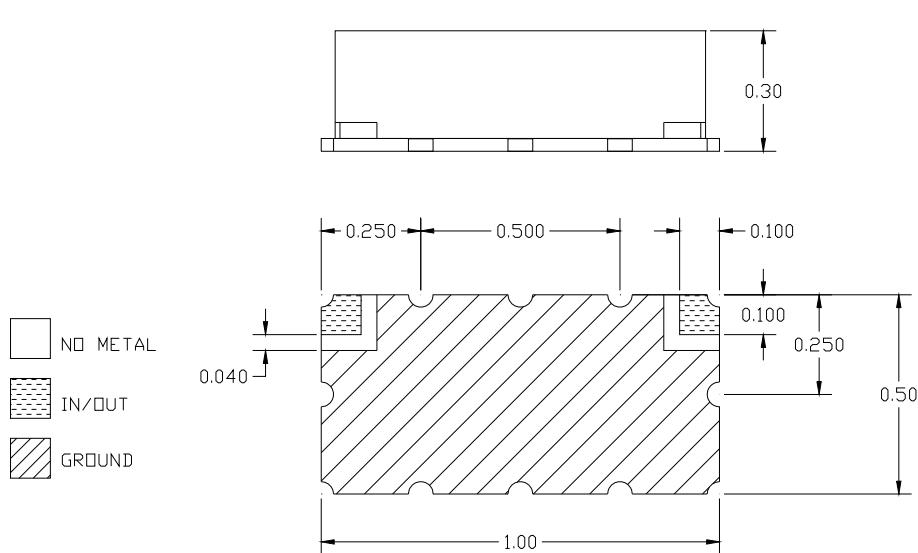


KR Electronics 3002

Specifications

Parameter	Specification	
Filter type	Bandpass	
Center Frequency	174 MHz	
Insertion Loss	5 dB max	4.2 dB typical
Minimum 3 dB Bandwidth	8 MHz	10.7 MHz typical
Typical 20 dB Bandwidth	17.8 MHz	
Typical 40 dB Frequency	27.0 MHz	
Typical 50 dB Frequency	33.7 MHz	
Source and Load	50 Ω	

Physical Dimensions



Notes:

1. Surface mount package
2. Dimensions in inches
3. Max reflow temperature 209° C for 10 sec
4. If boards are cleaned after installation units must be completely dried

KR Electronics, Inc.
91 Avenel Street
Avenel, NJ 07001

Web www.krfilters.com
Email sales@krfilters.com
Phone (732) 636-1900
Fax (732) 636-1982