

General Description

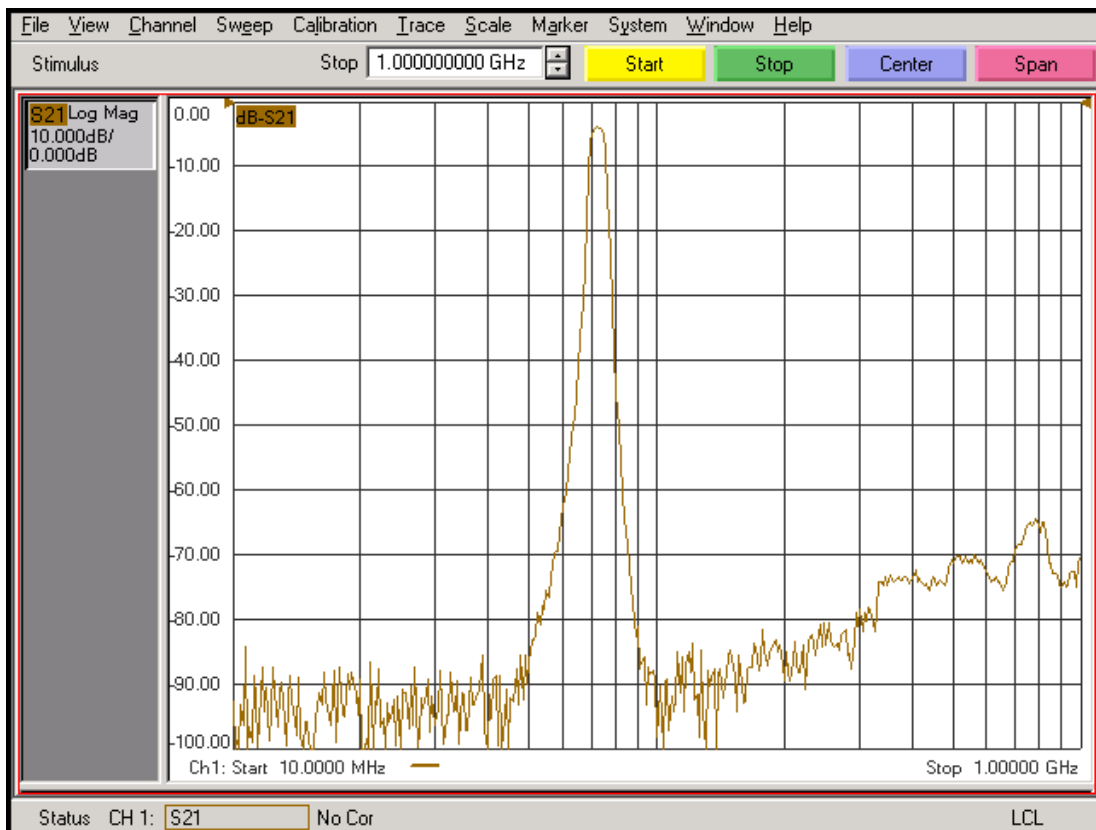
KR Electronics part number 2989 is a 72.75 MHz bandpass filter. The filter has a minimum 3 dB bandwidth of 5 MHz. Other center frequencies and bandwidths are available. Please consult the factory.

Features

- 72.75 MHz Bandpass Filter
- 5 MHz minimum 3 dB bandwidth
- 50 Ω Source and Load
- Surface Mount
- Also available with SMA connectors

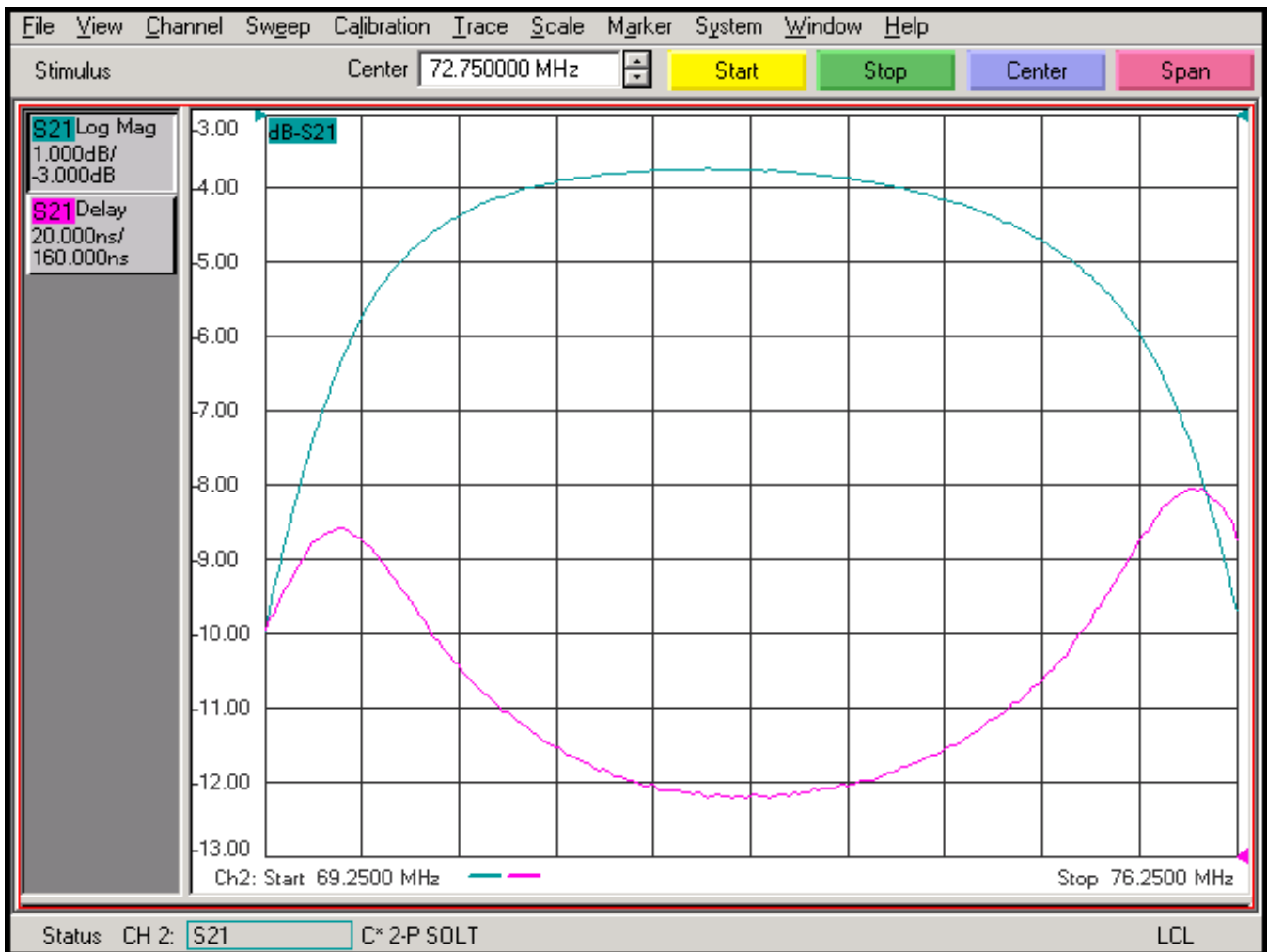
Typical Performance

Overall Response (10 dB/div)



Typical Performance

Effective Passband Amplitude & Group Delay (1 dB/div & 20 nsec/div)

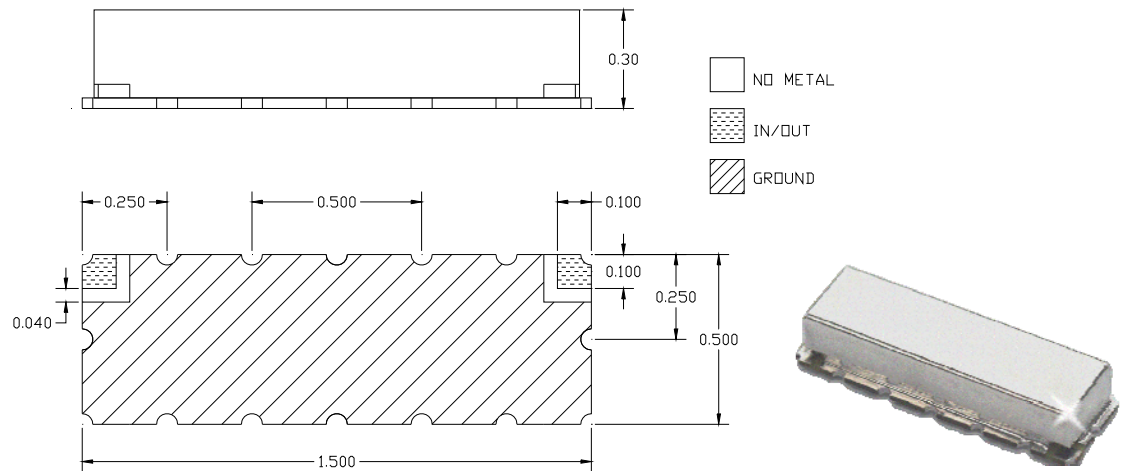


KR Electronics 2989

Specifications

Parameter	Specification	Notes
Filter type	Bandpass	
Center Frequency	72.75 MHz	
Insertion Loss at 72.75 MHz	6 dB max	4 dB typical
3 dB Bandwidth	5 MHz min	6 MHz typical
10 dB Bandwidth	10 MHz max	7.8 MHz typical
60 dB Bandwidth	30 MHz max	24.5 MHz typical
Source and Load	50 Ω	

Physical Dimensions



Notes:

1. Surface mount package, metal cover
2. Dimensions in inches
3. Max reflow temperature 209° C for 10 sec
4. If boards are cleaned after installation units must be completely dried
5. Also available in metal case with SMA connectors

KR Electronics, Inc.
91 Avenel Street
Avenel, NJ 07001

Web www.krfilters.com
Email sales@krfilters.com
Phone (732) 636-1900
Fax (732) 636-1982