

# KR Electronics

## General Description

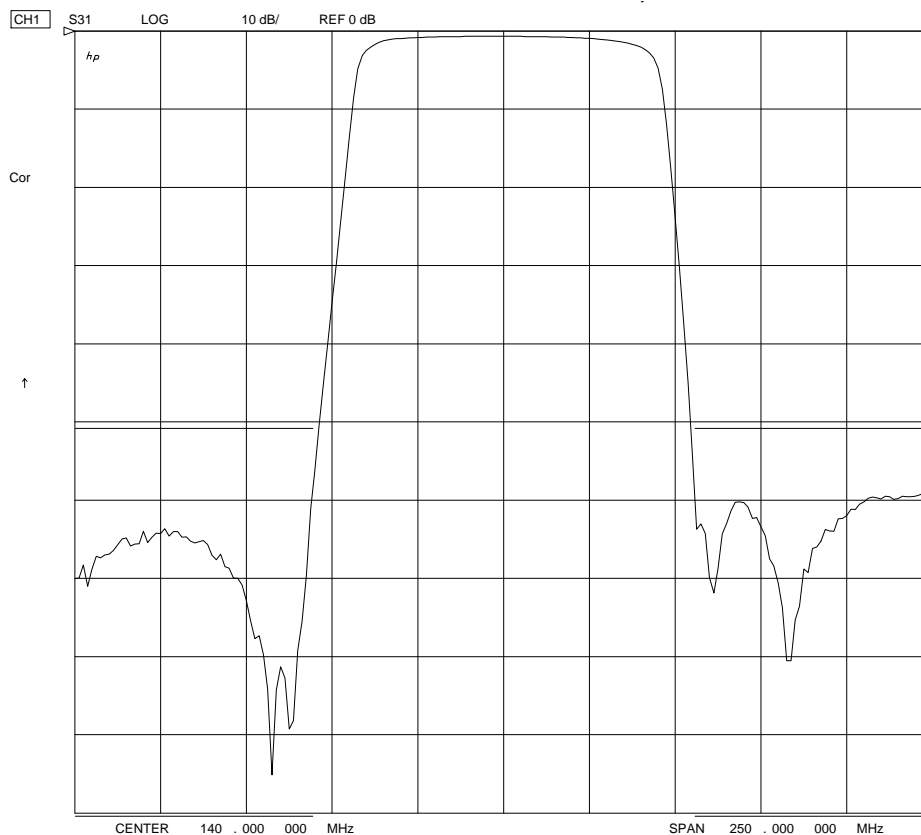
KR Electronics part number 2980+ is a 140 MHz elliptic type bandpass filter. The filter has a minimum 2 dB bandwidth of 75 MHz. Other center frequencies and bandwidths are available. Please consult the factory.

## Features

- 140 MHz Bandpass Filter
- 75 MHz minimum 2 dB bandwidth
- Elliptic Type Response
- Fast Transition to Stopband
- 50  $\Omega$  Source and Load
- Surface Mount
- Also available with SMA connectors

## Typical Performance

**Overall Response**  
(10 dB/div)

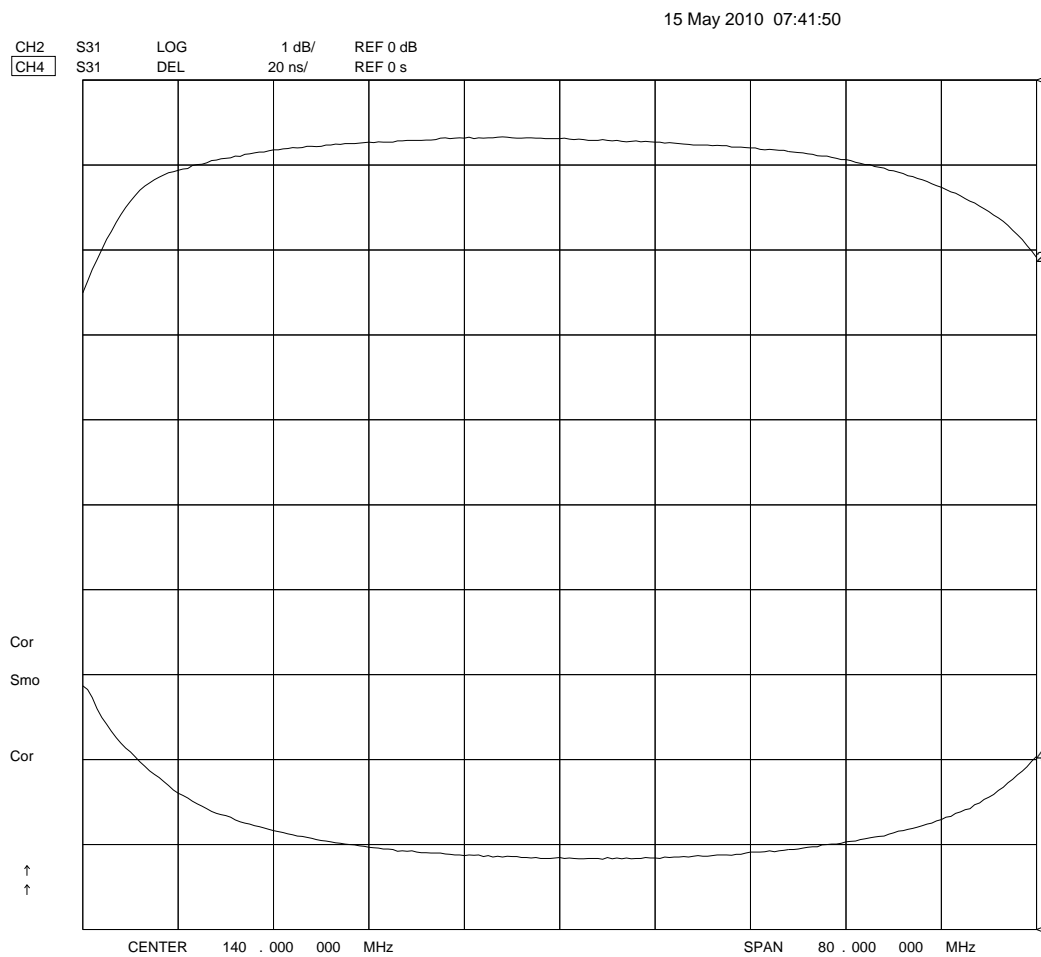


KR Electronics, Inc.  
91 Avenel Street  
Avenel, NJ 07001

Web [www.krfilters.com](http://www.krfilters.com)  
Email [sales@krfilters.com](mailto:sales@krfilters.com)  
Phone (732) 636-1900  
Fax (732) 636-1982

## Typical Performance

### Effective Passband Amplitude & Group Delay (1 dB/div & 20 nsec/div)

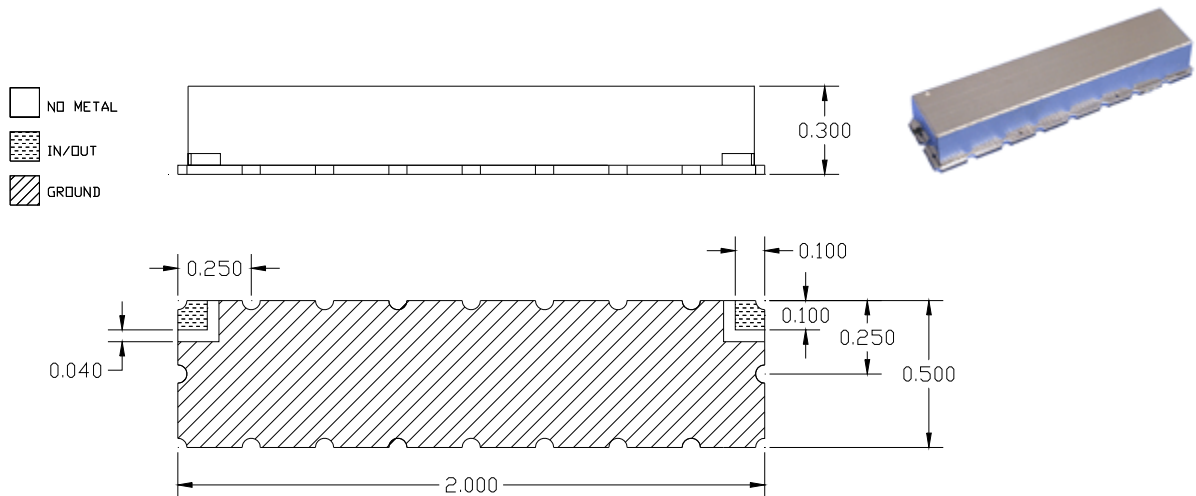


# KR Electronics 2980+

## Specifications

Parameter	Specification	Notes
Filter type	Bandpass	
Center Frequency	140 MHz	
Insertion Loss at 140 MHz	3 dB max	< 1 dB typical
2 dB Bandwidth	75 MHz min	80 MHz typical
Attenuation at 84.3 MHz	50 dB min	
Attenuation at 195.7 MHz	50 dB min	
Source and Load	50 $\Omega$	
RoHS	Yes	

## Physical Dimensions



### Notes:

1. Surface mount package — Metal cover open frame
2. Dimensions in inches
3. Maximum reflow temperature is 230° C for 10 sec maximum.
4. If boards are cleaned after installation, units must be completely dried.