

General Description

KR Electronics part number 2979 is a 300 MHz elliptic type bandpass filter. The filter has a 150 MHz bandwidth and over 65 dB stopband rejection. Other center frequencies and bandwidths are available. Please consult the factory.

Features

- 300 MHz Bandpass Filter
- Elliptic Type
- Sharp Transition to Stopband
- High Stopband Attenuation
- 50 Ω Source and Load
- Surface Mount
- Also available with SMA connectors

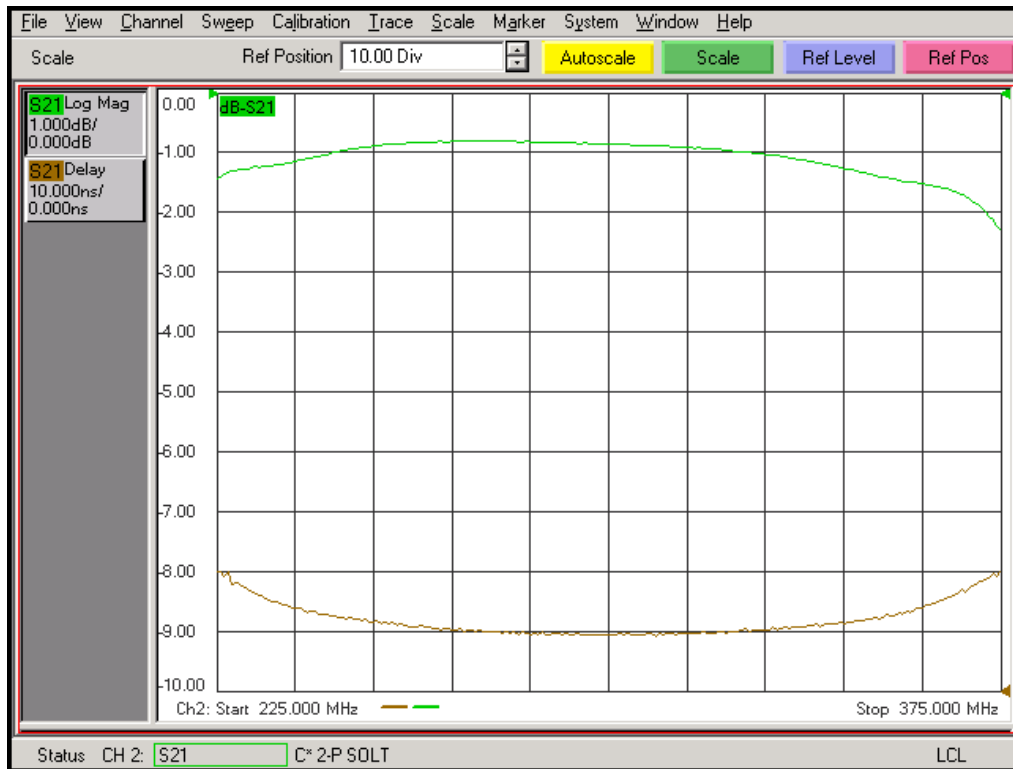
Typical Performance

Overall Response (10 dB/div)



Typical Performance

Passband Amplitude & Group Delay (1 dB/div & 10 nsec/div)

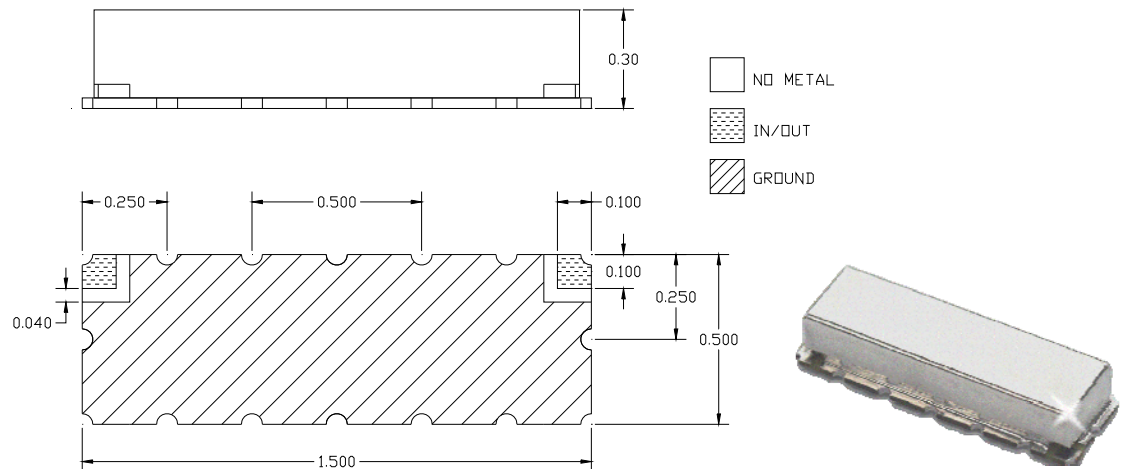


KR Electronics 2979

Specifications

Parameter	Specification	Notes
Filter type	Bandpass	
Center Frequency	300 MHz	
Insertion Loss	2 dB max	1 dB typical
Rejection at 175 MHz	65 dB min	
Rejection at 225 MHz	1 dB max	
Rejection at 375 MHz	2 dB max	
Rejection at 425 MHz	65 dB min	
Source and Load	50 Ω	

Physical Dimensions



Notes:

1. Surface mount package, metal cover
2. Dimensions in inches
3. Max reflow temperature 209° C for 10 sec
4. If boards are cleaned after installation units must be completely dried
5. Also available in metal case with SMA connectors

KR Electronics, Inc.
 91 Avenel Street
 Avenel, NJ 07001

Web www.krfilters.com
 Email sales@krfilters.com
 Phone (732) 636-1900
 Fax (732) 636-1982