

KR Electronics, Inc.

General Description

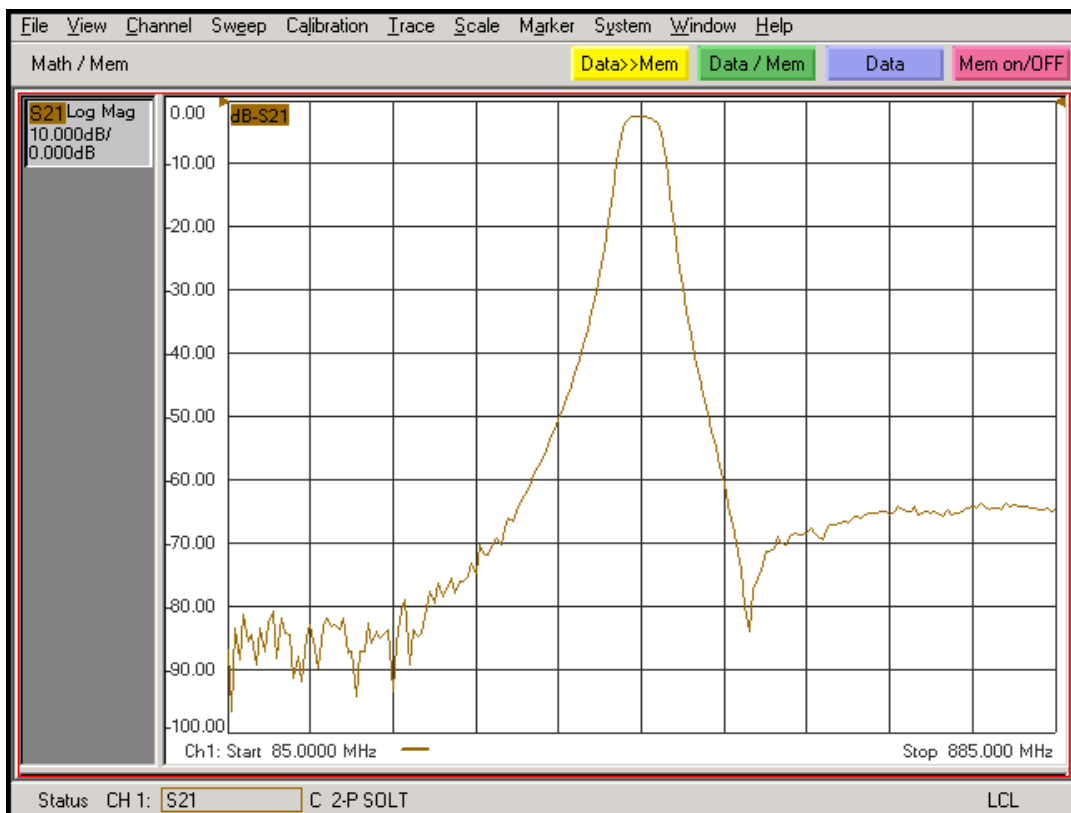
KR Electronics part number 2977 is a 485 MHz bandpass filter. The filter has a 3 dB bandwidth of 40 MHz. Other center frequencies and bandwidths available. Please consult the factory.

Features

- 485 MHz Center Frequency
- 40 MHz, 3 dB Bandwidth
- 50 Ω Source and Load
- Surface Mount

Typical Performance

Overall Response (10 dB/div)



KR Electronics, Inc.
91 Avenel Street
Avenel, NJ 07001

Web www.krfilters.com
Email sales@krfilters.com
Phone (732) 636-1900
Fax (732) 636-1982

Typical Performance

Passband Amplitude & Group Delay (1 dB/div & 10 nsec/div)

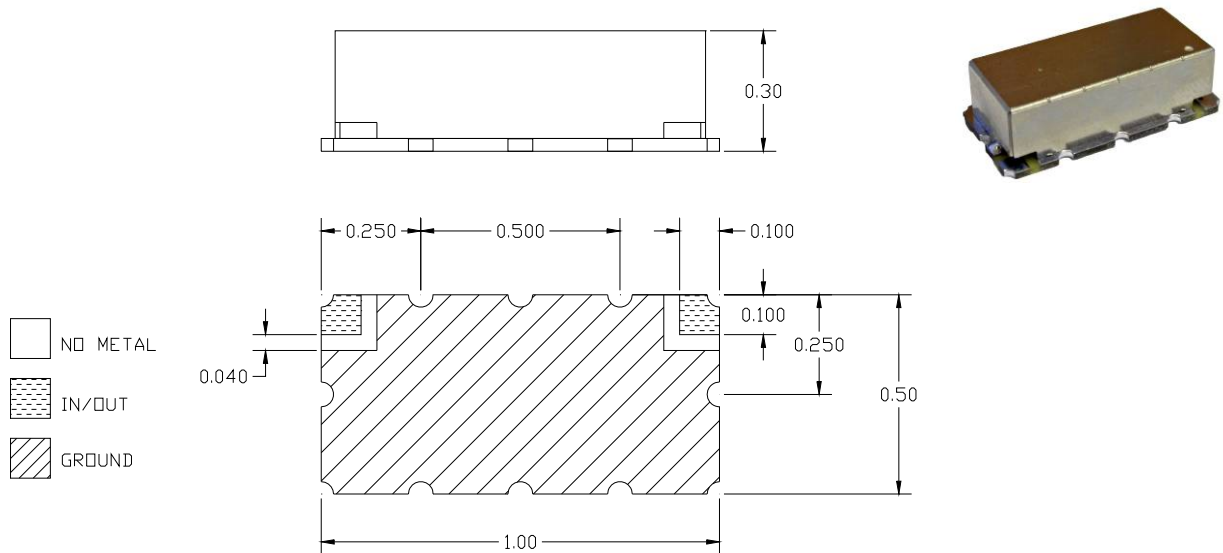


KR Electronics 2977

Specifications

Parameter	Specification	
Filter type	Bandpass	
Center Frequency	485 MHz	
Insertion Loss	4.5 dB max	2.3 dB typical
3 dB Bandwidth	40 MHz \pm 4 MHz	
20 dB Bandwidth	69 MHz typical	
40 dB Bandwidth	117 MHz typical	
Source and Load	50 Ω	

Physical Dimensions



Notes:

1. Surface mount package
2. Dimensions in inches
3. Max reflow temperature 209° C for 10 sec
4. If boards are cleaned after installation units must be completely dried

KR Electronics, Inc.
91 Avenel Street
Avenel, NJ 07001

Web www.krfilters.com
Email sales@krfilters.com
Phone (732) 636-1900
Fax (732) 636-1982