

KR Electronics, Inc.

General Description

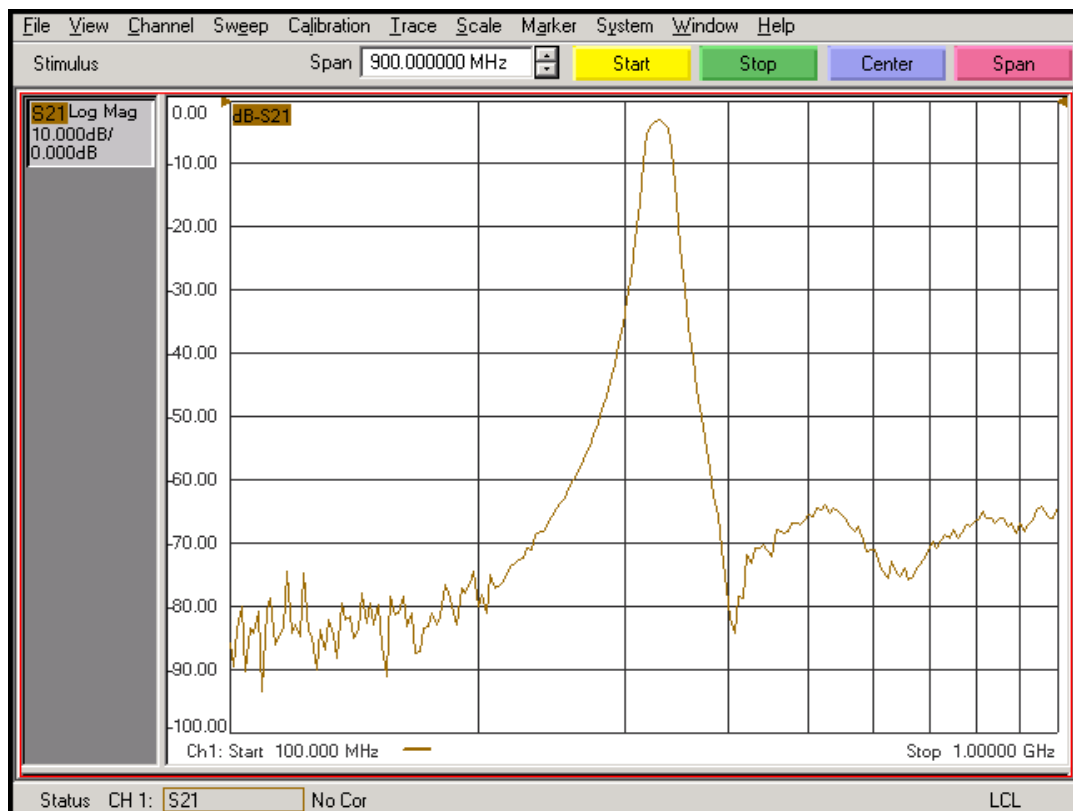
KR Electronics part number 2974 is a 330.19 MHz bandpass filter. The filter has a typical 3 dB bandwidth of 22 MHz. Other center frequencies and bandwidths available. Please consult the factory.

Features

- 330.19 MHz Center Frequency
- 22 MHz Typical 3 dB Bandwidth
- 50 Ω Source and Load
- Surface Mount

Typical Performance

Overall Response (10 dB/div)



KR Electronics, Inc.
91 Avenel Street
Avenel, NJ 07001

Web www.krfilters.com
Email sales@krfilters.com
Phone (732) 636-1900
Fax (732) 636-1982

Typical Performance

Passband Amplitude & Group Delay (1 dB/div & 10 nsec/div)

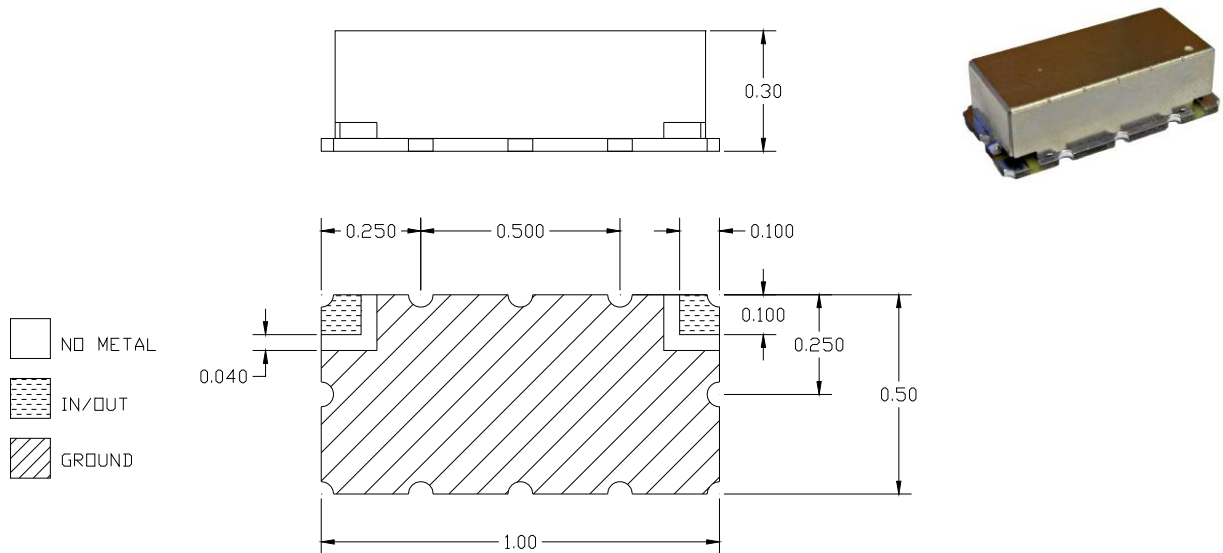


KR Electronics 2974

Specifications

Parameter	Specification	
Filter type	Bandpass	
Center Frequency	330.19 MHz	
Insertion Loss	5 dB max	2.8 dB typical
3 dB Bandwidth	25 MHz max	22 MHz typical
20 dB Bandwidth	42 MHz typical	
40 dB Bandwidth	75 MHz typical	
60 dB Bandwidth	131 MHz typical	
Source and Load	50 Ω	

Physical Dimensions



Notes:

1. Surface mount package
2. Dimensions in inches
3. Max reflow temperature 209° C for 10 sec
4. If boards are cleaned after installation units must be completely dried

KR Electronics, Inc.
91 Avenel Street
Avenel, NJ 07001

Web www.krfilters.com
Email sales@krfilters.com
Phone (732) 636-1900
Fax (732) 636-1982