

KR Electronics, Inc.

General Description

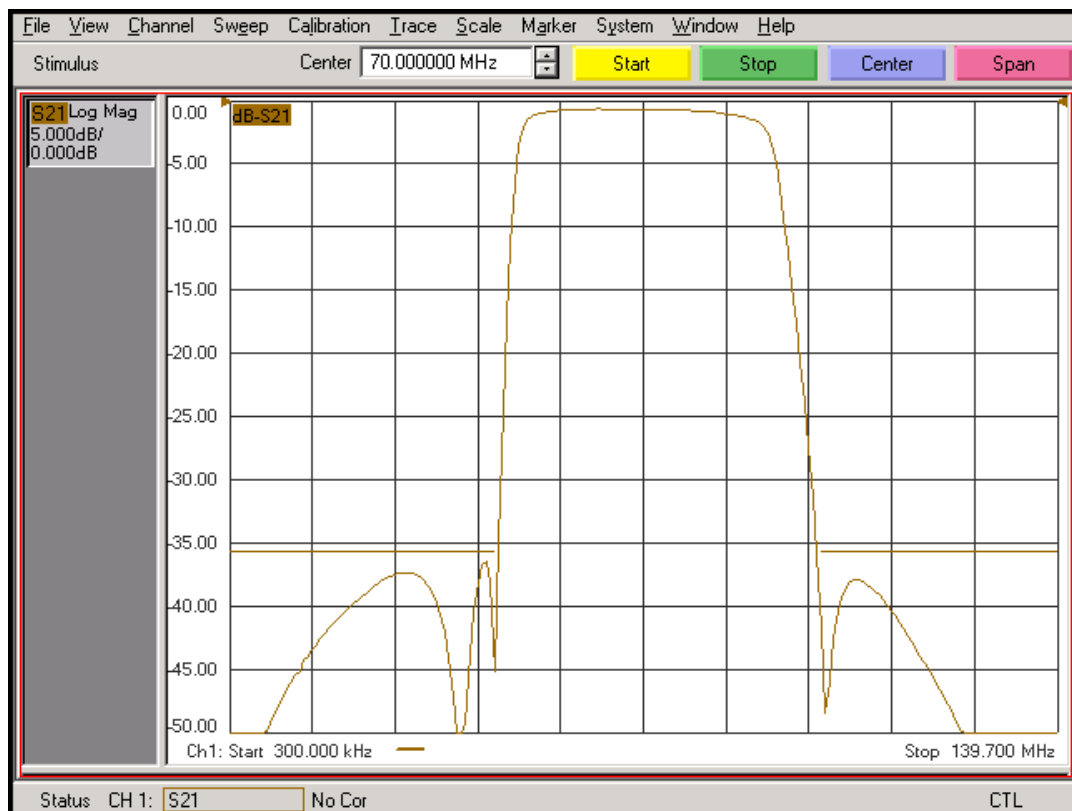
KR Electronics part number 2972 is a 70 MHz bandpass filter. The filter has a minimum 1.5 dB bandwidth of 40 MHz. Other center frequencies and bandwidths available. Please consult the factory.

Features

- 70 MHz Center Frequency
- 40 MHz minimum 1.5 dB Bandwidth
- Elliptic Type for High Selectivity
- 50 Ω Source and Load
- Surface Mount

Typical Performance

Overall Response (5 dB/div)

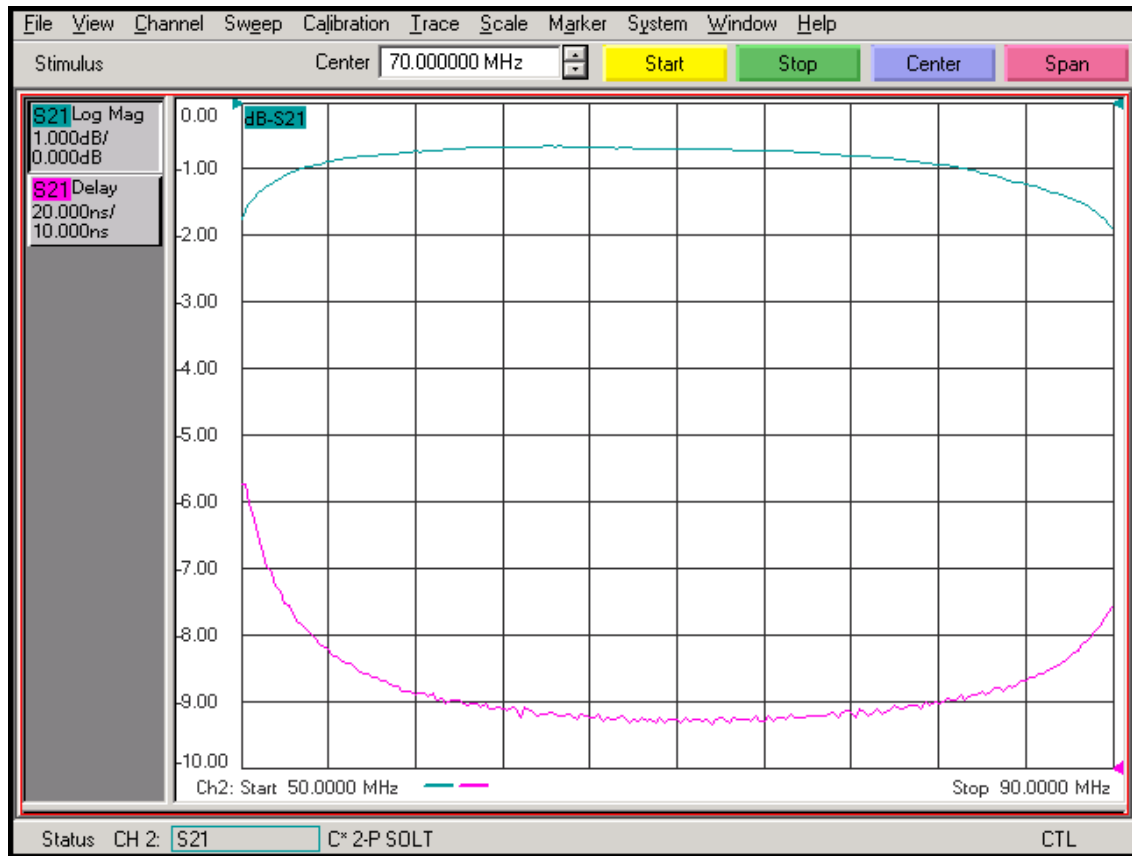


KR Electronics, Inc.
91 Avenel Street
Avenel, NJ 07001

Web www.krfilters.com
Email sales@krfilters.com
Phone (732) 636-1900
Fax (732) 636-1982

Typical Performance

Passband Amplitude & Group Delay (1 dB/div & 20 nsec/div)

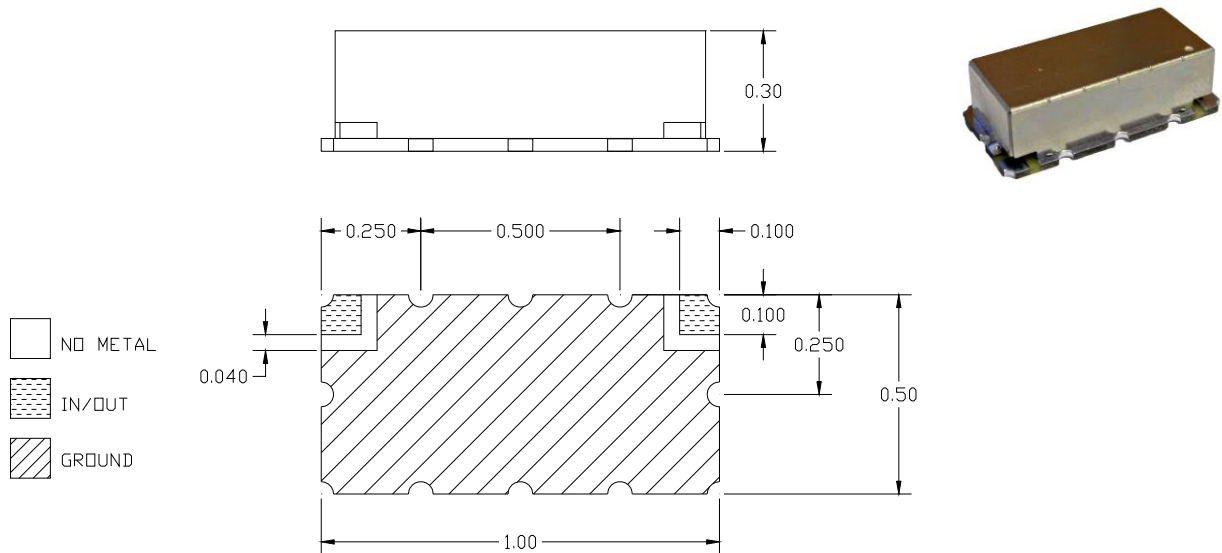


KR Electronics 2972

Specifications

Parameter	Specification
Filter type	Bandpass
Center Frequency	70 MHz
Insertion Loss	2 dB max < 1 dB typical
1.5 dB Bandwidth	40 MHz min
Rejection at 45 MHz	35 dB min
Rejection at 100 MHz	35 dB min
Source and Load	50 Ω

Physical Dimensions



Notes:

1. Surface mount package
2. Dimensions in inches
3. Max reflow temperature 209° C for 10 sec
4. If boards are cleaned after installation units must be completely dried

KR Electronics, Inc.
91 Avenel Street
Avenel, NJ 07001

Web www.krfilters.com
Email sales@krfilters.com
Phone (732) 636-1900
Fax (732) 636-1982