

KR Electronics, Inc.

General Description

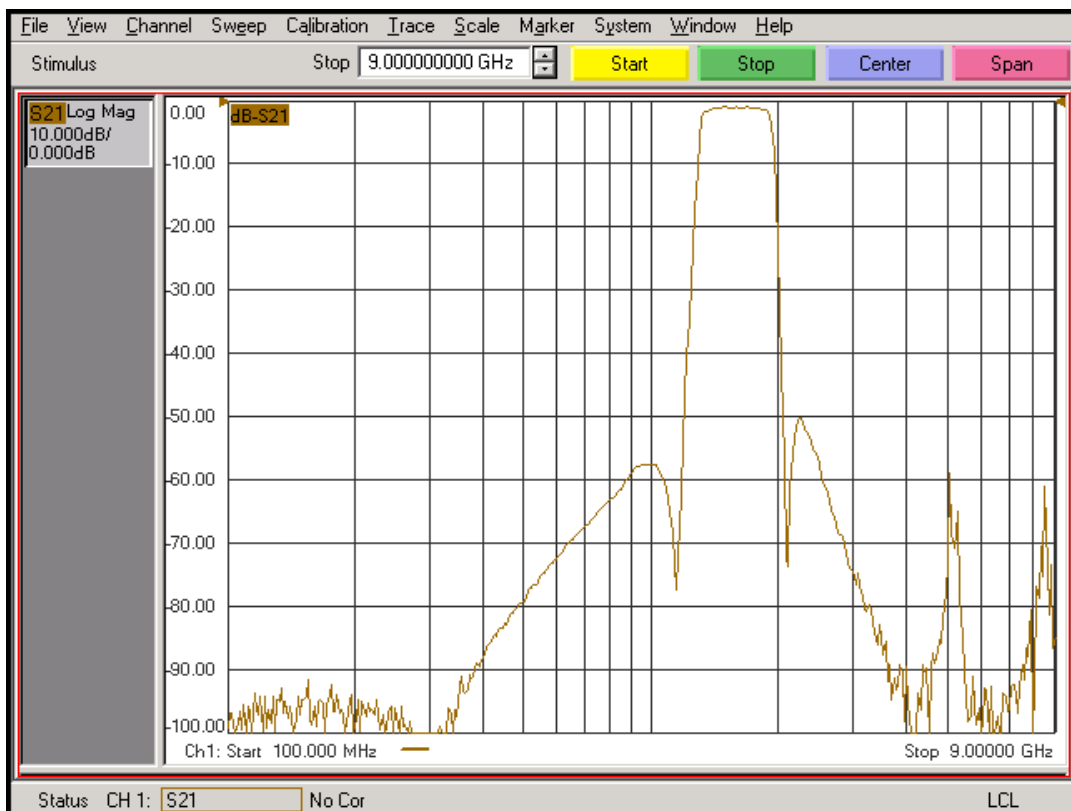
KR Electronics part number 2958-SMA is a 1630 MHz pseudo-elliptic bandpass filter. The filter has a minimum 1 dB bandwidth of 400 MHz. Other center frequencies and bandwidths available. Please consult the factory.

Features

- 1630 MHz Center Frequency
- Pseudo Elliptic
- 1 dB Bandwidth, 400 MHz min
- 50 Ω Source and Load
- SMA Connectors
- Surface Mount available

Typical Performance

Overall Response (10 dB/div)

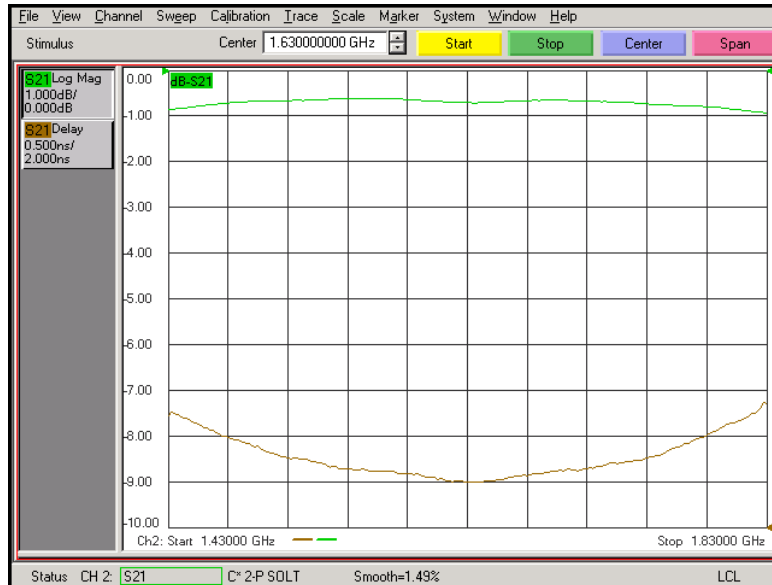


KR Electronics, Inc.
91 Avenel Street
Avenel, NJ 07001

Web www.krfilters.com
Email sales@krfilters.com
Phone (732) 636-1900
Fax (732) 636-1982

Typical Performance

Passband Amplitude & Group Delay (1 dB/div & 0.5 nsec/div)



Overall Response (10 dB/div)



KR Electronics, Inc.
91 Avenel Street
Avenel, NJ 07001

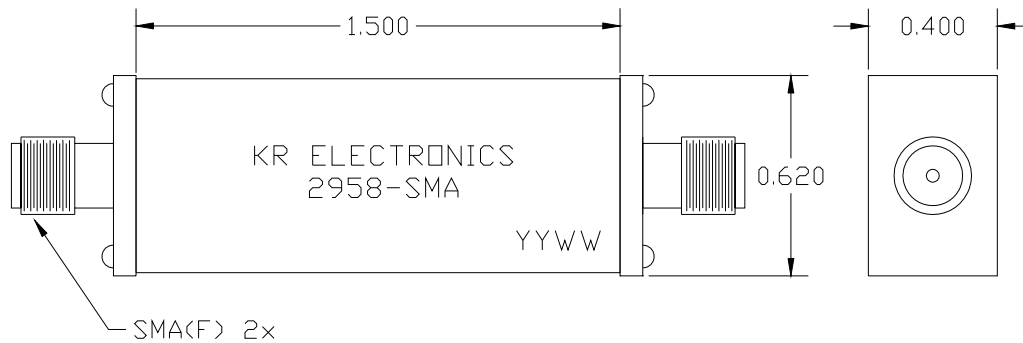
Web www.krfilters.com
Email sales@krfilters.com
Phone (732) 636-1900
Fax (732) 636-1982

KR Electronics 2958-SMA

Specifications

Parameter	Specification	
Filter type	Bandpass	
Center Frequency	1630 MHz	
Insertion Loss	1.5 dB max	< 1 dB typical
1 dB Bandwidth	400 MHz min	576 MHz typical
3 dB Bandwidth	623 MHz typical	
25 dB Bandwidth	800 MHz max	750 MHz typical
40 dB Bandwidth	1200 MHz max	820 MHz typical
Source and Load	50 Ω	

Physical Dimensions



Notes:

1. Dimensions in inches
2. Rectangular case
3. Also available in surface mount package

KR Electronics, Inc.
91 Avenel Street
Avenel, NJ 07001

Web www.krfilters.com
Email sales@krfilters.com
Phone (732) 636-1900
Fax (732) 636-1982