

# KR Electronics, Inc.

## General Description

KR Electronics part number 2956 is a 1600 MHz bandpass filter. The filter has a minimum 1 dB bandwidth of 400 MHz. Other center frequencies and bandwidths available. Please consult the factory.

### Features

- 1600 MHz Center Frequency
- 1400 MHz to 1800 MHz Passband
- 50  $\Omega$  Source and Load
- Surface Mount

## Typical Performance

### Overall Response (10 dB/div)

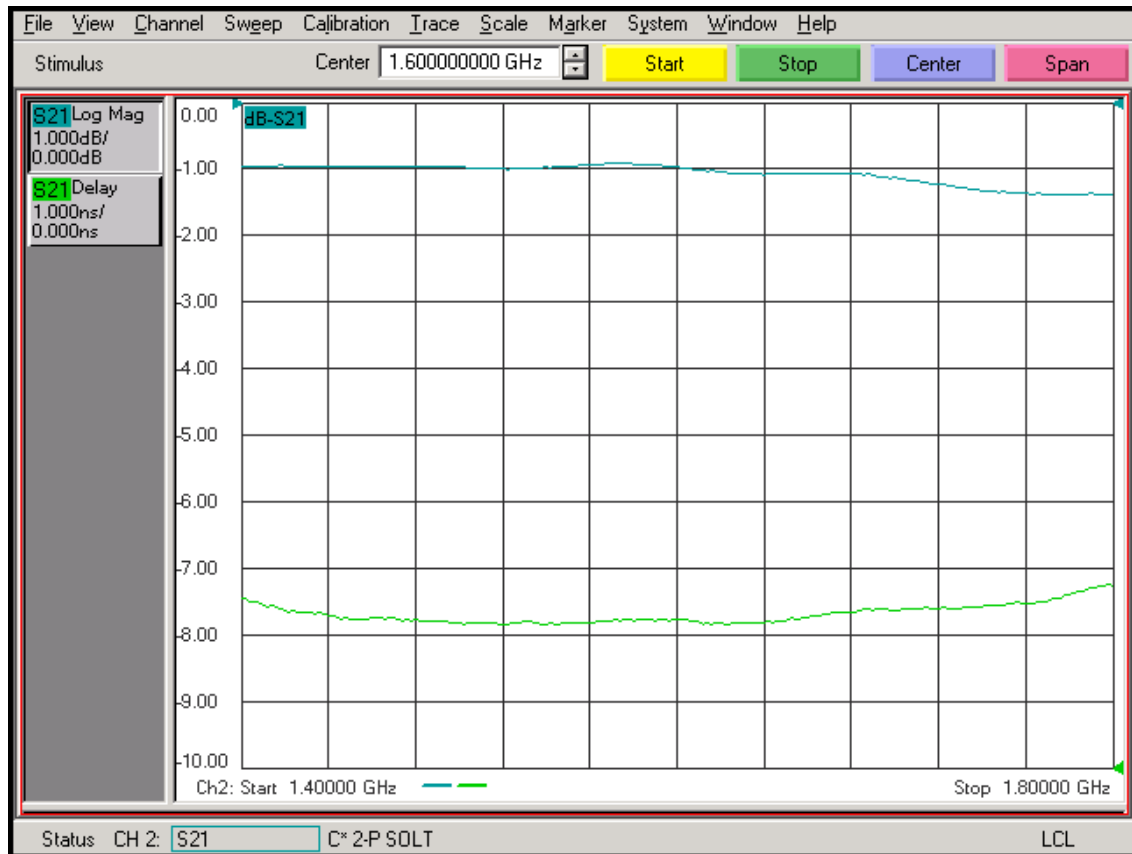


KR Electronics, Inc.  
91 Avenel Street  
Avenel, NJ 07001

Web [www.krfilters.com](http://www.krfilters.com)  
Email [sales@krfilters.com](mailto:sales@krfilters.com)  
Phone (732) 636-1900  
Fax (732) 636-1982

## Typical Performance

### Passband Amplitude & Group Delay (1 dB/div & 1 nsec/div)

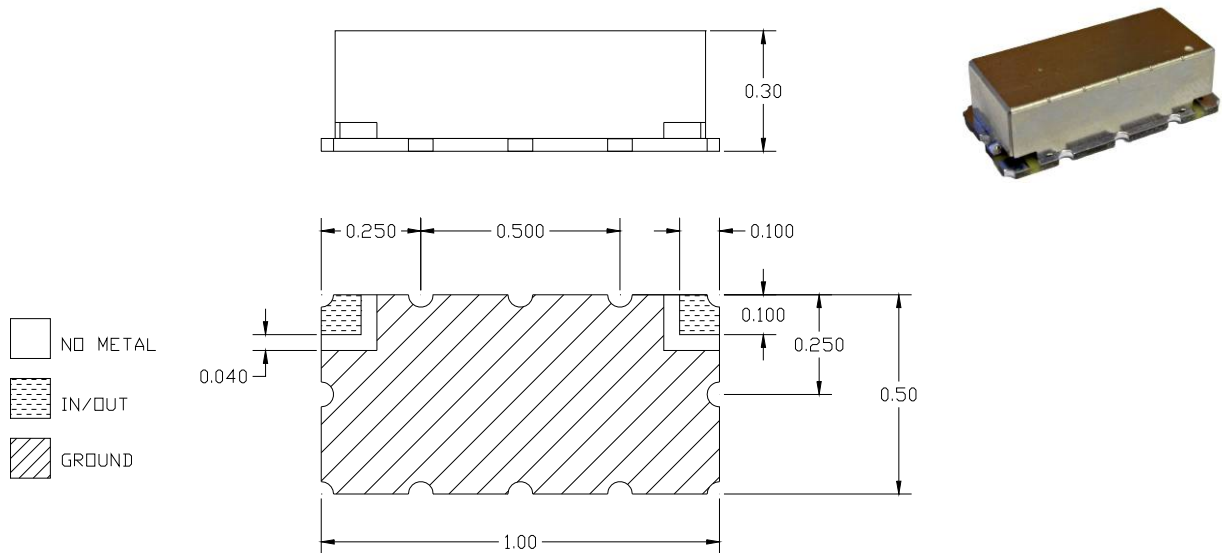


# KR Electronics 2956

## Specifications

Parameter	Specification	
Filter type	Bandpass	
Center Frequency	1600 MHz	
Insertion Loss	2 dB max	1 dB typical
1 dB Bandwidth	400 MHz min	545 MHz typical
3 dB Bandwidth	650 MHz typical	
20 dB Bandwidth	945 MHz typical	
40 dB Bandwidth	1533 MHz typical	
Source and Load	50 $\Omega$	

## Physical Dimensions



### Notes:

1. Surface mount package
2. Dimensions in inches
3. Max reflow temperature 209° C for 10 sec
4. If boards are cleaned after installation units must be completely dried

KR Electronics, Inc.  
91 Avenel Street  
Avenel, NJ 07001

Web [www.krfilters.com](http://www.krfilters.com)  
Email [sales@krfilters.com](mailto:sales@krfilters.com)  
Phone (732) 636-1900  
Fax (732) 636-1982