

KR Electronics, Inc.

General Description

KR Electronics part number 2953 is a 900 MHz bandpass filter. The filter has a minimum 0.5 dB bandwidth of 200 MHz. Other center frequencies and bandwidths available. Please consult the factory.

Features

- 900 MHz Center Frequency
- 800 MHz to 1000 MHz Passband
- 50 Ω Source and Load
- Surface Mount

Typical Performance

Overall Response (10 dB/div)

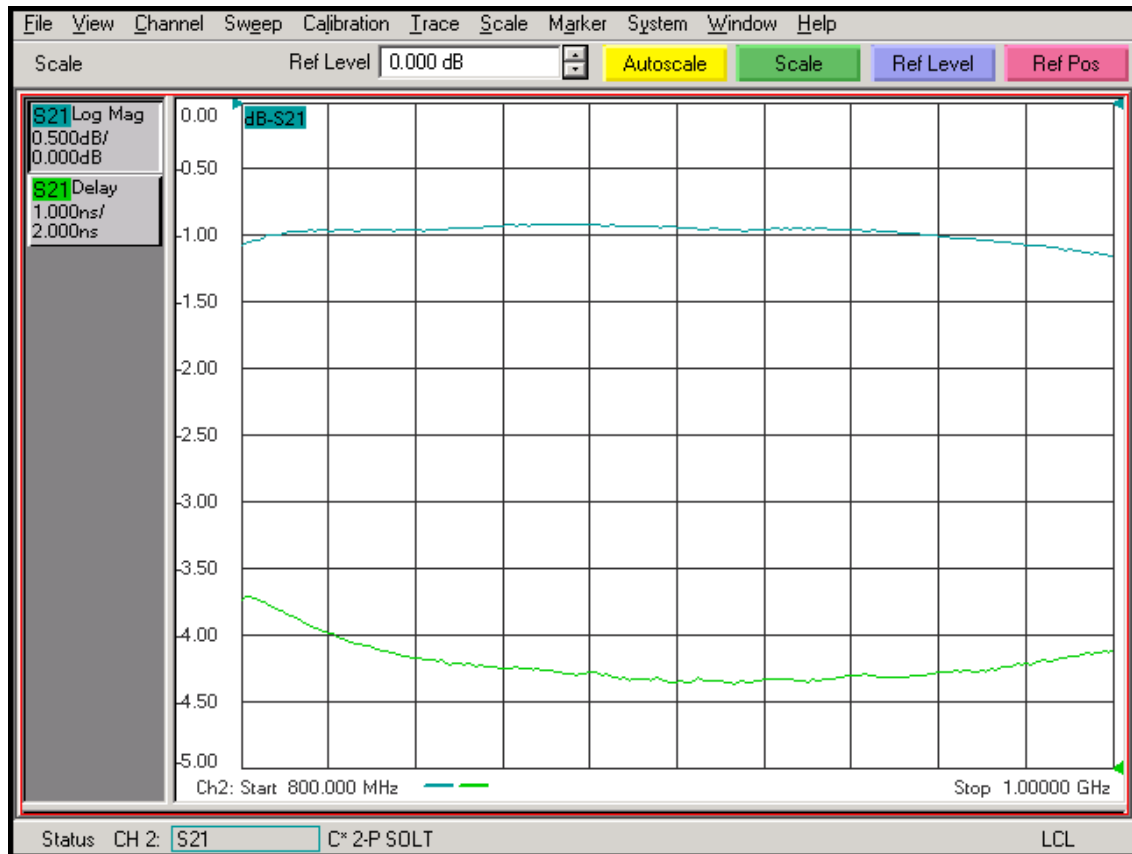


KR Electronics, Inc.
91 Avenel Street
Avenel, NJ 07001

Web www.krfilters.com
Email sales@krfilters.com
Phone (732) 636-1900
Fax (732) 636-1982

Typical Performance

Passband Amplitude & Group Delay (0.5 dB/div & 1 nsec/div)

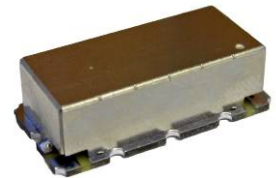
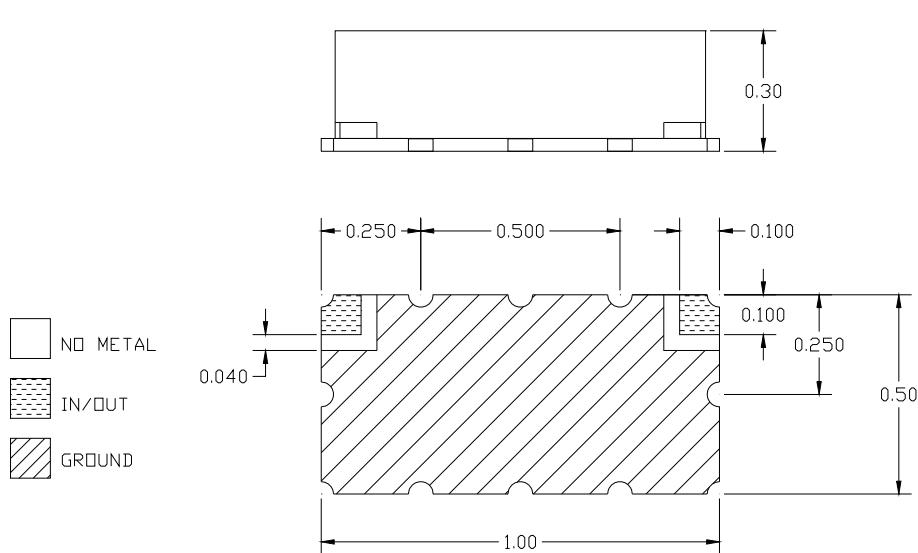


KR Electronics 2953

Specifications

Parameter	Specification	
Filter type	Bandpass	
Center Frequency	900 MHz	
Insertion Loss	1.5 dB max	1 dB typical
0.5 dB Bandwidth	200 MHz min	236 MHz typical
1 dB Bandwidth	263 MHz typical	
3 dB Bandwidth	305 MHz typical	
20 dB Bandwidth	485 MHz typical	
40 dB Bandwidth	802 MHz typical	
Source and Load	50 Ω	

Physical Dimensions



Notes:

1. Surface mount package
2. Dimensions in inches
3. Max reflow temperature 209° C for 10 sec
4. If boards are cleaned after installation units must be completely dried

KR Electronics, Inc.
91 Avenel Street
Avenel, NJ 07001

Web www.krfilters.com
Email sales@krfilters.com
Phone (732) 636-1900
Fax (732) 636-1982