

# KR Electronics, Inc.

## General Description

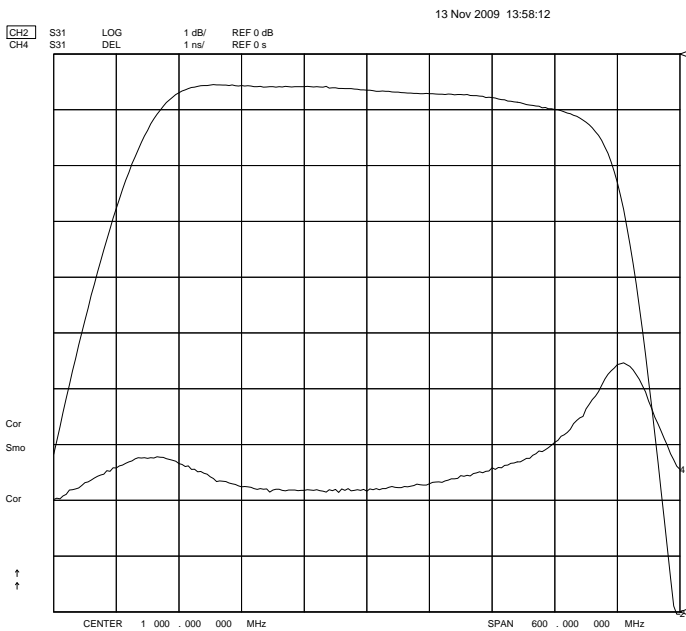
KR Electronics part number 2949 is a 1000 MHz bandpass filter. The filter has a 3 dB bandwidth of 500 MHz. Other center frequencies and bandwidths available. Please consult the factory.

## Features

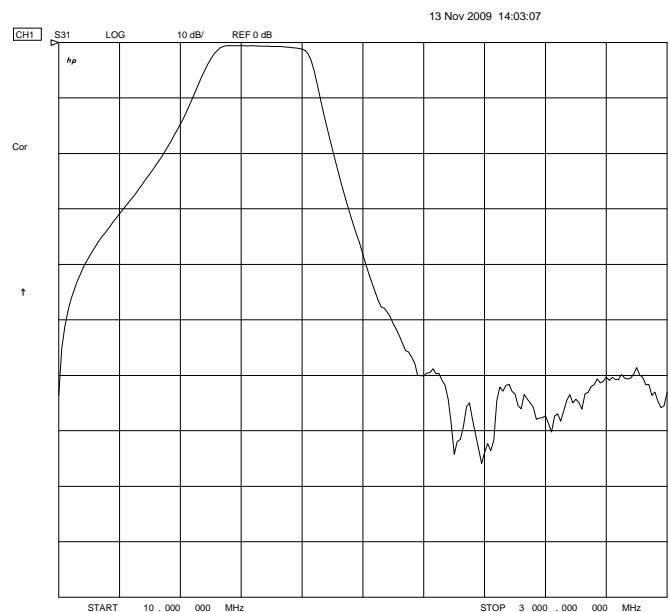
- 1000 MHz Bandpass
- 3 dB Bandwidth of 500 MHz  $\pm 10\%$
- 4 Sections
- Surface Mount
- Other configuration available
- 50  $\Omega$  Source and Load

## Typical Performance

**Passband Amplitude & Group Delay**  
(1 dB/div & 1 nsec/div)



**Overall Response**  
(10 dB/div)



KR Electronics, Inc.  
91 Avenel Street  
Avenel, NJ 07001

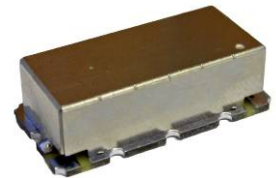
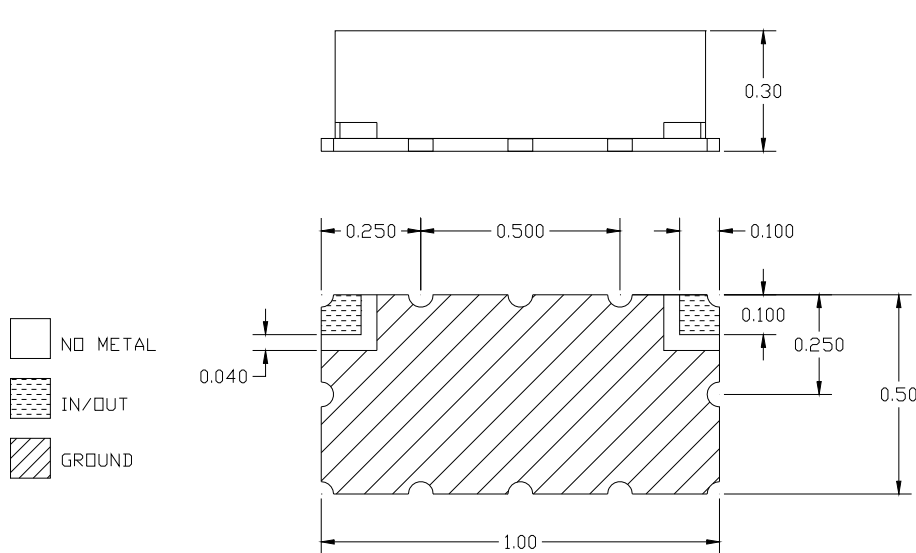
Web [www.krfilters.com](http://www.krfilters.com)  
Email [sales@krfilters.com](mailto:sales@krfilters.com)  
Phone (732) 636-1900  
Fax (732) 636-1982

# KR Electronics 2949

## Specifications

| Parameter        | Specification             |
|------------------|---------------------------|
| Filter type      | Bandpass                  |
| Center Frequency | 1000 MHz                  |
| Insertion Loss   | < 1.5 dB (0.7 dB typical) |
| 3 dB Bandwidth   | 500 MHz $\pm$ 10%         |
| 40 dB Bandwidth  | $\approx$ 1400 MHz        |
| Source and Load  | 50 $\Omega$               |
|                  |                           |
|                  |                           |

## Physical Dimensions



### Notes:

1. Surface mount package
2. Dimensions in inches
3. Max reflow temperature 230° C for 10 sec
4. If boards are cleaned after installation units must be completely dried

KR Electronics, Inc.  
91 Avenel Street  
Avenel, NJ 07001

Web [www.krfilters.com](http://www.krfilters.com)  
Email [sales@krfilters.com](mailto:sales@krfilters.com)  
Phone (732) 636-1900  
Fax (732) 636-1982