

KR Electronics

General Description

KR Electronics part number 2921 is a 118 MHz elliptic lowpass filter. Other bandwidths available. Please consult the factory.

Features

- 118 MHz Cutoff Frequency
- Sharp Transition to Stopband
- >40 dB Stopband Attenuation
- 50 Ω Source and Load
- TNC Connectors

Typical Performance

Overall Response (10 dB/div)



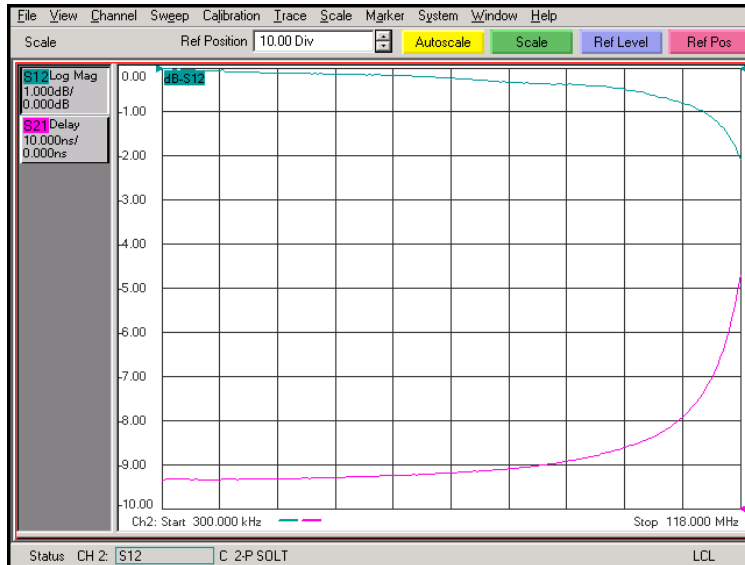
KR Electronics, Inc.
91 Avenel Street
Avenel, NJ 07001

Web www.krfilters.com
Email sales@krfilters.com
Phone (732) 636-1900
Fax (732) 636-1982

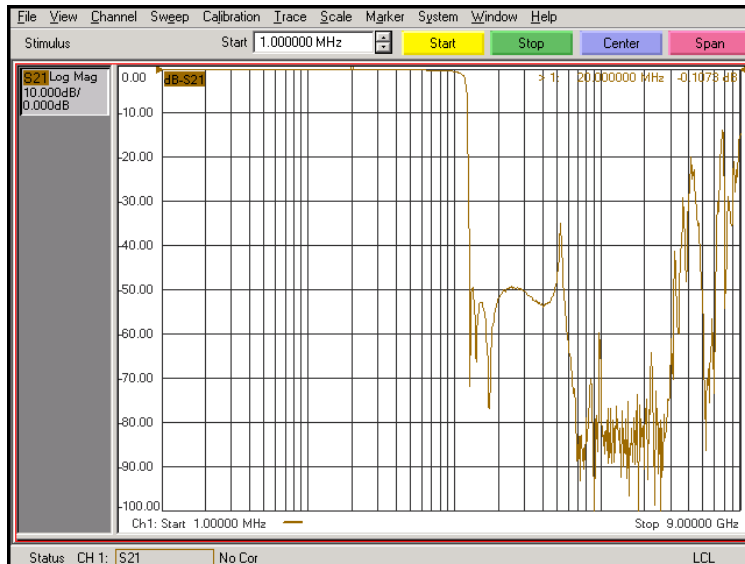
KR Electronics

Typical Performance

Passband Amplitude & Group Delay (1 dB/div & 10 nsec/div)



Overall Stopband to 9 GHz (10 dB/div)



KR Electronics, Inc.
91 Avenel Street
Avenel, NJ 07001

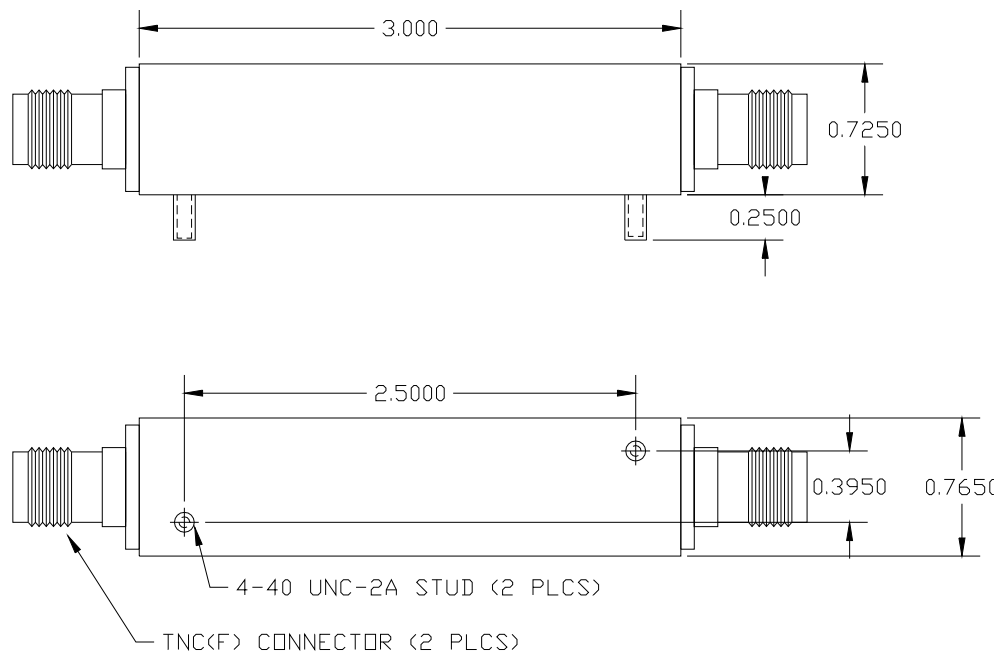
Web www.krfilters.com
Email sales@krfilters.com
Phone (732) 636-1900
Fax (732) 636-1982

KR Electronics 2921

Specifications

Parameter	Specification
Filter type	Lowpas
End of Passband (<2.5 dB)	118 MHz
Start of Stopband (>40 dB)	126 MHz
Source and Load	50 Ω

Physical Dimensions



Notes:

1. Metal Rectangular Case
2. Dimensions in inches
3. Also available with SMA connectors or surface mount package