

# KR Electronics

## General Description

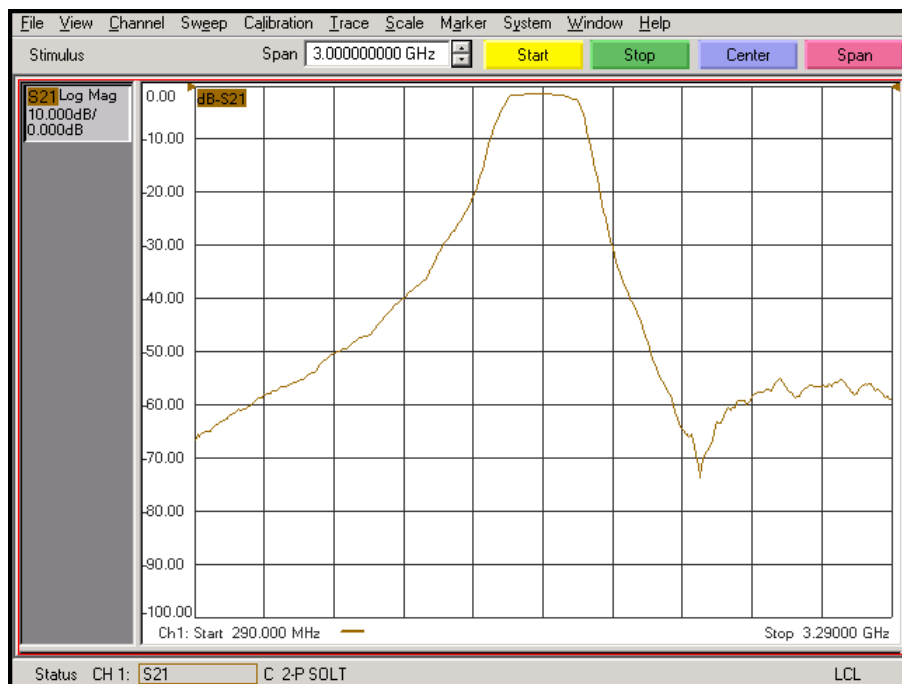
KR Electronics part number 2916 is a 1790 MHz bandpass filter. The 3 dB bandwidth is 280 MHz minimum (380 MHz) typical. Other center frequencies and bandwidths available. Please consult the factory.

### Features

- 1790 MHz Center Frequency
- 280 MHz min 3 dB Bandwidth
- 50  $\Omega$  Source and Load
- Surface Mount
- Also available with SMA connectors

## Typical Performance

### Overall Response (10 dB/div)

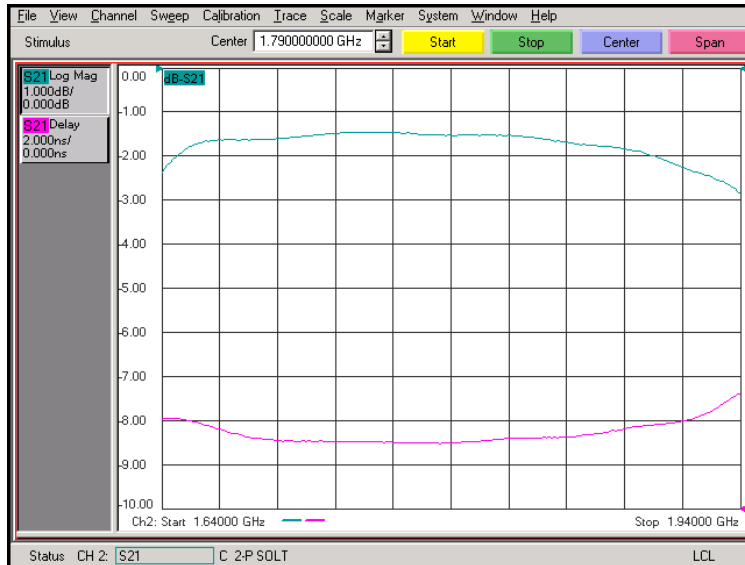


KR Electronics, Inc.  
91 Avenel Street  
Avenel, NJ 07001

Web [www.krfilters.com](http://www.krfilters.com)  
Email [sales@krfilters.com](mailto:sales@krfilters.com)  
Phone (732) 636-1900  
Fax (732) 636-1982

## Typical Performance

### Passband Amplitude & Group Delay (1 dB/div & 2 nsec/div)



### Overall Stopband to 5 GHz (10 dB/div)



KR Electronics, Inc.  
91 Avenel Street  
Avenel, NJ 07001

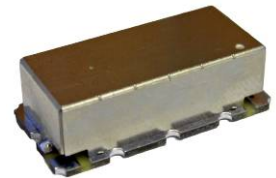
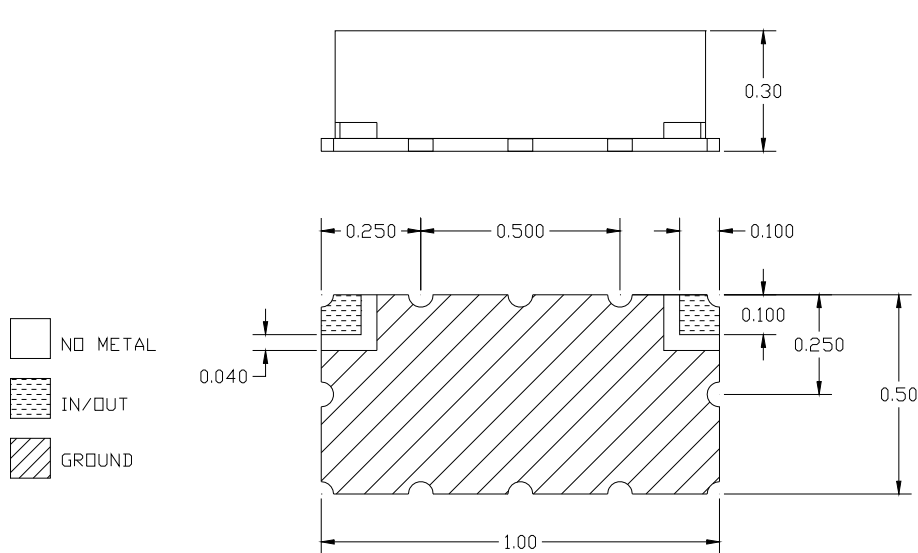
Web [www.krfilters.com](http://www.krfilters.com)  
Email [sales@krfilters.com](mailto:sales@krfilters.com)  
Phone (732) 636-1900  
Fax (732) 636-1982

# KR Electronics 2916

## Specifications

Parameter	Specification
Filter type	Bandpass
Number of Sections	4
Center Frequency	1790 MHz
Insertion Loss	< 1.8 dB
3 dB Bandwidth	280 MHz min (370 MHz typical)
Source and Load	50 $\Omega$

## Physical Dimensions



### Notes:

1. Surface mount package
2. Dimensions in inches
3. Max reflow temperature 209° C for 10 sec
4. If boards are cleaned after installation units must be completely dried

KR Electronics, Inc.  
91 Avenel Street  
Avenel, NJ 07001

Web [www.krfilters.com](http://www.krfilters.com)  
Email [sales@krfilters.com](mailto:sales@krfilters.com)  
Phone (732) 636-1900  
Fax (732) 636-1982