

KR Electronics

General Description

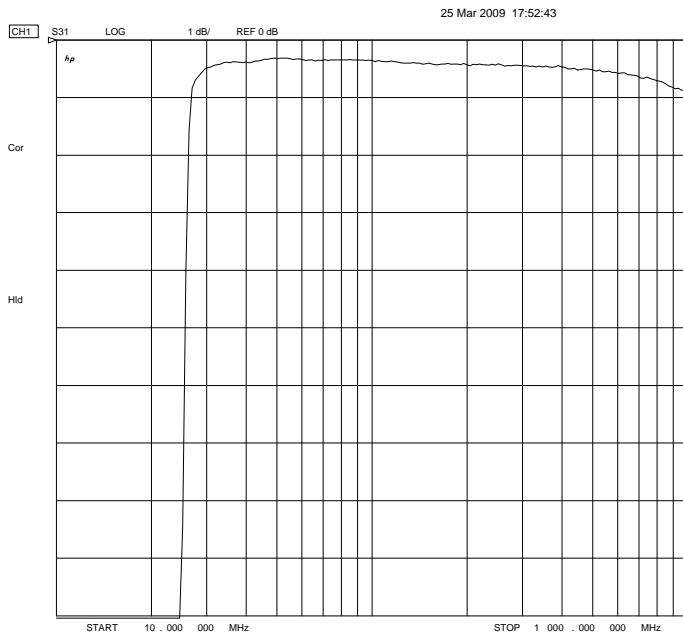
KR 2902 is a 30 MHz highpass filter. Other passband frequencies are available. Please consult the factory.

Features

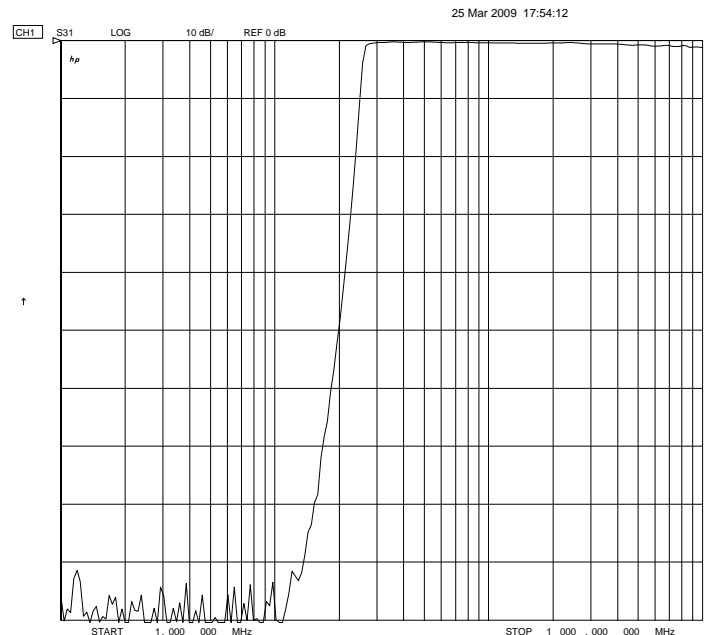
- Highpass Filter
- 30 MHz Cutoff
- 50 Ω Source and Load
- Surface Mount

Typical Performance

Passband Amplitude
(1 dB/div/div)



Overall Response
(10 dB/div)



KR Electronics, Inc.
91 Avenel Street
Avenel, NJ 07001

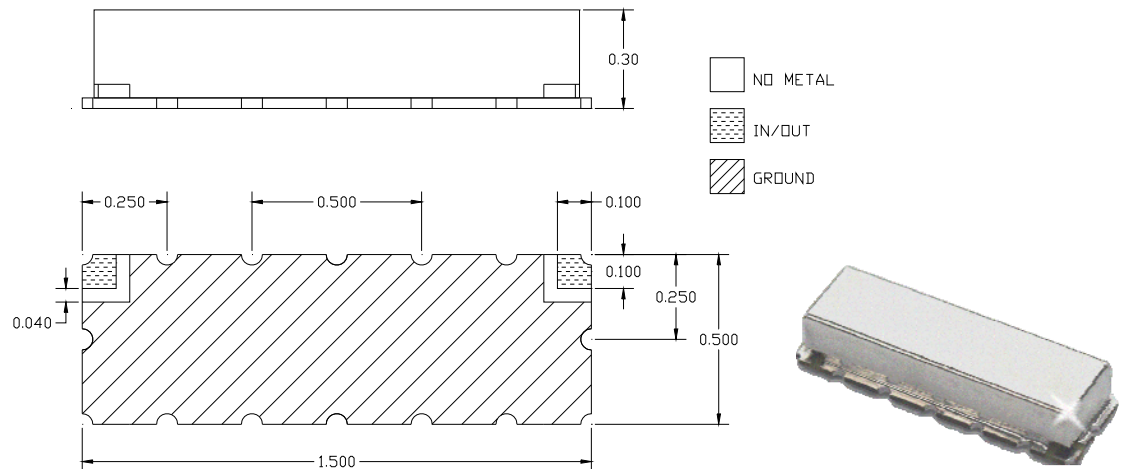
Web www.krfilters.com
Email sales@krfilters.com
Phone (732) 636-1900
Fax (732) 636-1982

KR Electronics 2902

Specifications

| Parameter | Specification |
|---------------------------|-------------------|
| Filter type | Highpass |
| Insertion Loss at 100 MHz | < 0.5 dB |
| 1 dB Passband | 30 MHz to 700 MHz |
| Attenuation at 25 MHz | > 6 dB |
| Attenuation at 20 MHz | 48 dB typical |
| Attenuation at 15 MHz | > 80 dB typical |
| Source and Load | 50 Ω |
| | |
| | |

Physical Dimensions



Notes:

1. Dimensions in inches
2. Also available with SMA connectors
3. Maximum reflow temperature 209° C for 10 seconds max
4. If boards are washed, units must be dried completely