

KR Electronics

General Description

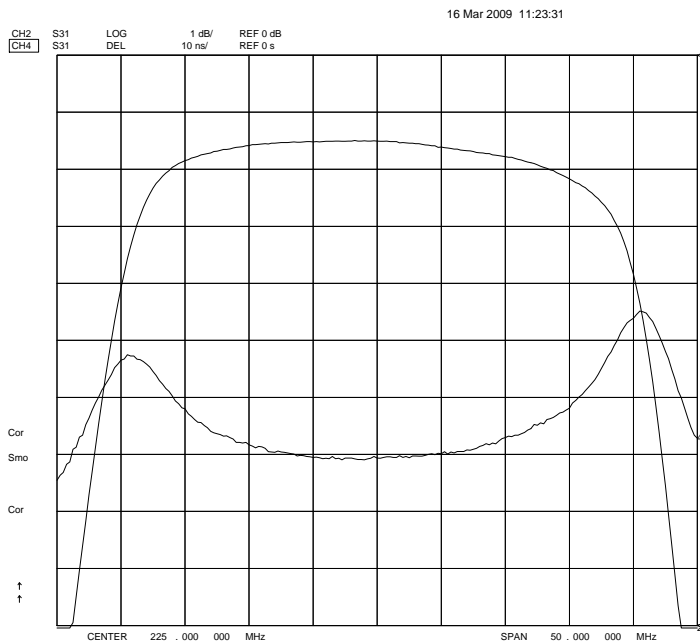
KR 2893 is a 225 MHz bandpass filter. The filter has a typical 3 dB bandwidth of 40 MHz. Other passband frequencies are available. Please consult the factory.

Features

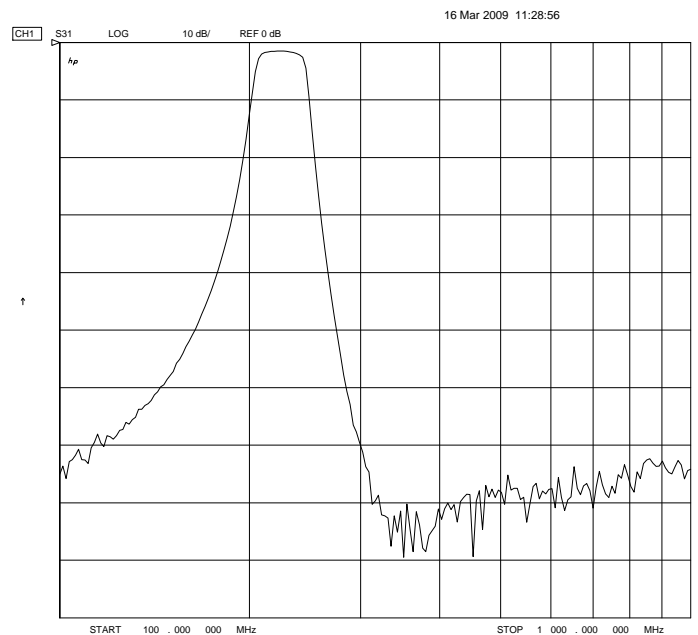
- 225 MHz Center Frequency
- 40 MHz Typical 3 dB Bandwidth
- Surface Mount
- 50 Ω Source and Load

Typical Performance

Passband Amplitude & Group Delay (1 dB/div and 10 nsec/div)



Overall Response (10 dB/div)



KR Electronics, Inc.
91 Avenel Street
Avenel, NJ 07001

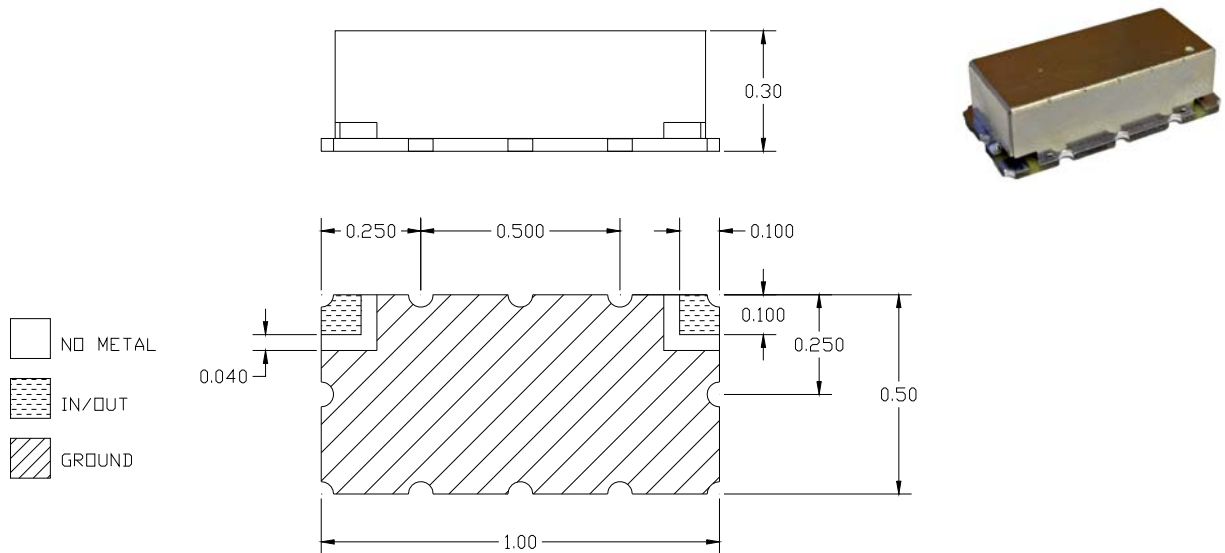
Web www.krfilters.com
Email sales@krfilters.com
Phone (732) 636-1900
Fax (732) 636-1982

KR Electronics 2893

Specifications

Parameter	Specification
Filter type	Bandpass
Center Frequency	225 MHz
Insertion Loss	< 3.5 dB (1.5 dB typical)
3 dB Bandwidth	40 MHz typical
40 dB Bandwidth	91 MHz typical
60 dB Bandwidth	146 MHz typical
Source and Load	50 Ω

Physical Dimensions



Notes:

1. Surface mount package
2. Dimensions in inches
3. Max reflow temperature 209° C for 10 sec
4. If boards are cleaned after installation units must be completely dried

KR Electronics, Inc.
91 Avenel Street
Avenel, NJ 07001

Web www.krfilters.com
Email sales@krfilters.com
Phone (732) 636-1900
Fax (732) 636-1982