

KR Electronics

General Description

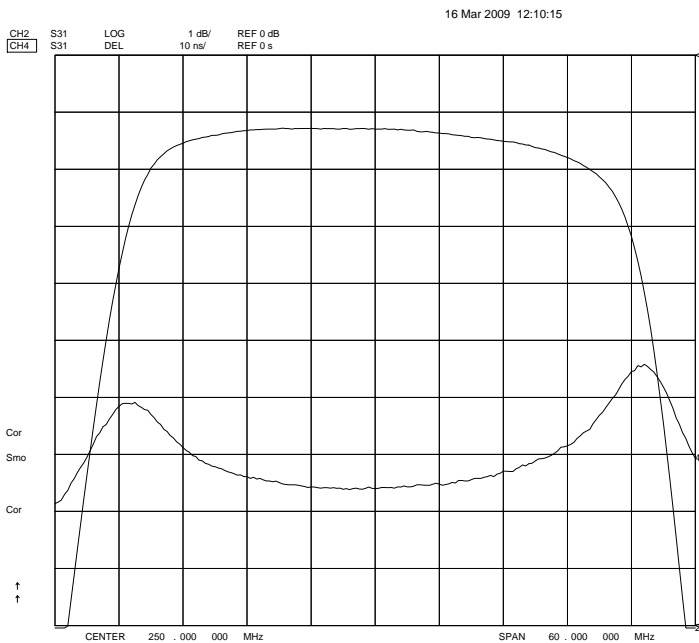
KR 2892 is a 250 MHz bandpass filter. The filter has a typical 3 dB bandwidth of 50 MHz. Other passband frequencies are available. Please consult the factory.

Features

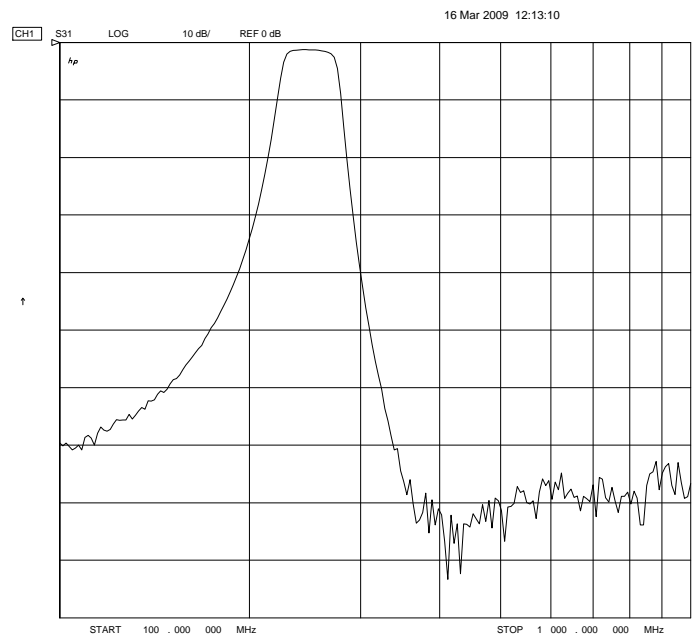
- 250 MHz Center Frequency
- 50 MHz Typical 3 dB Bandwidth
- Surface Mount
- 50 Ω Source and Load

Typical Performance

Passband Amplitude & Group Delay
(1 dB/div and 10 nsec/div)



Overall Response
(10 dB/div)



KR Electronics, Inc.
91 Avenel Street
Avenel, NJ 07001

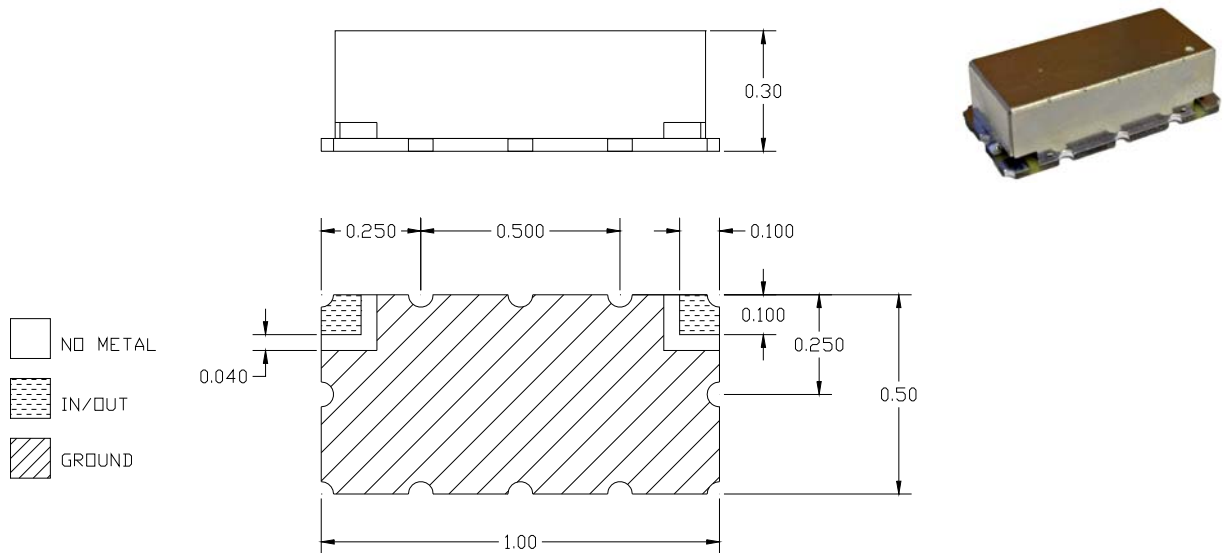
Web www.krfilters.com
Email sales@krfilters.com
Phone (732) 636-1900
Fax (732) 636-1982

KR Electronics 2892

Specifications

| Parameter | Specification |
|------------------|---------------------------|
| Filter type | Bandpass |
| Center Frequency | 250 MHz |
| Insertion Loss | < 2.5 dB (1.5 dB typical) |
| 3 dB Bandwidth | 50 MHz typical |
| 40 dB Bandwidth | 111 MHz typical |
| 60 dB Bandwidth | 180 MHz typical |
| Source and Load | 50 Ω |
| | |
| | |

Physical Dimensions



Notes:

1. Surface mount package
2. Dimensions in inches
3. Max reflow temperature 209° C for 10 sec
4. If boards are cleaned after installation units must be completely dried

KR Electronics, Inc.
91 Avenel Street
Avenel, NJ 07001

Web www.krfilters.com
Email sales@krfilters.com
Phone (732) 636-1900
Fax (732) 636-1982