

# KR Electronics

## General Description

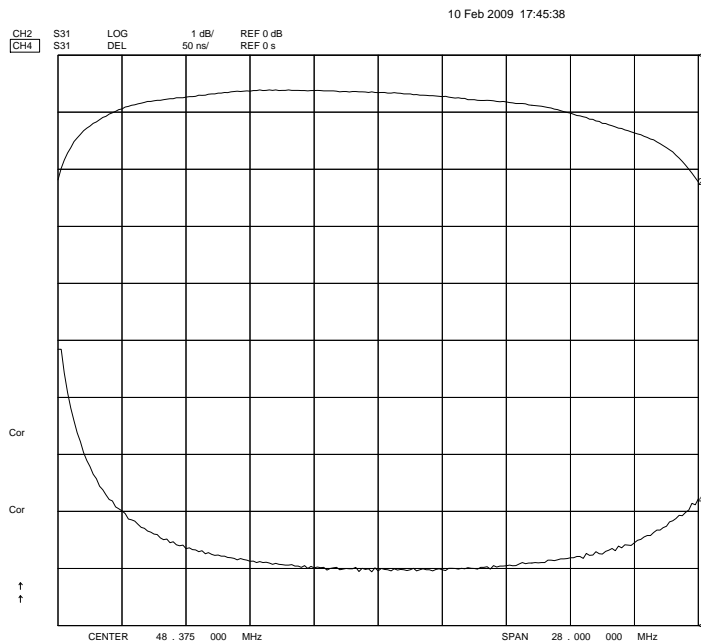
KR 2890 is a 48.375 MHz bandpass filter. The filter has a minimum 3 dB bandwidth of 28 MHz. Other passband frequencies are available. Please consult the factory.

## Features

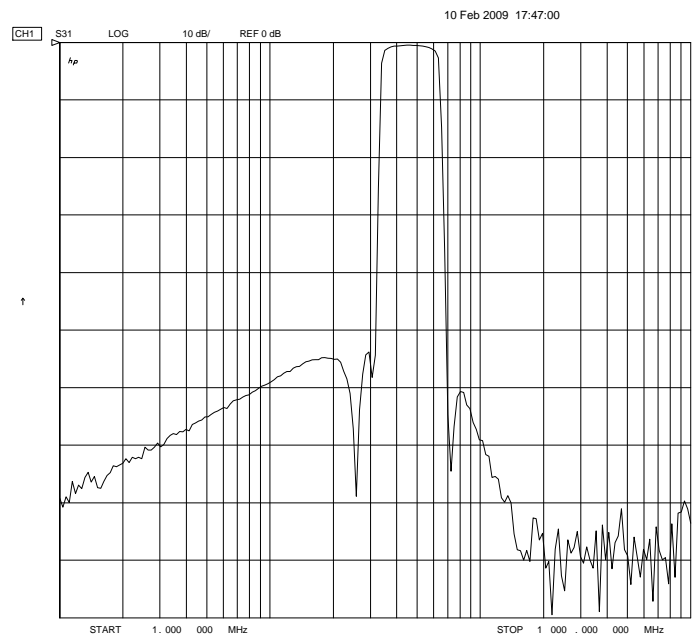
- 48.375 MHz Center Frequency
- 3 dB Bandwidth 28 MHz min
- Surface Mount
- 50  $\Omega$  Source and Load

## Typical Performance

**Passband Amplitude & Group Delay**  
(1 dB/div and 50 nsec/div)



**Overall Response**  
(10 dB/div)



KR Electronics, Inc.  
91 Avenel Street  
Avenel, NJ 07001

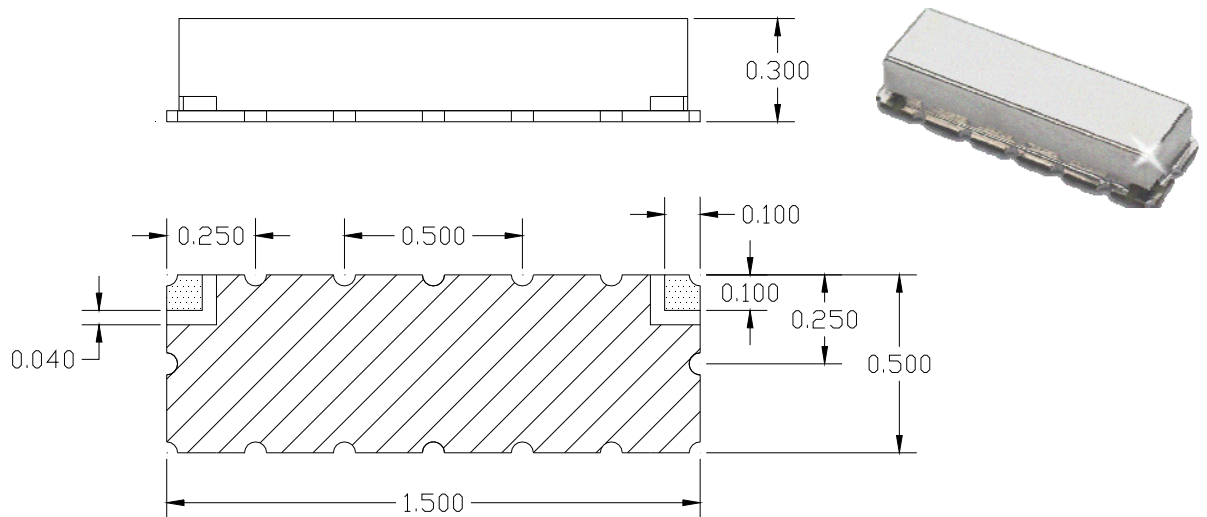
Web [www.krfilters.com](http://www.krfilters.com)  
Email [sales@krfilters.com](mailto:sales@krfilters.com)  
Phone (732) 636-1900  
Fax (732) 636-1982

# KR Electronics 2890

## Specifications

Parameter	Specification
Filter type	Bandpass
Center Frequency	48.375 MHz
Insertion Loss	< 2 dB (< 1 dB typical)
3 dB Bandwidth	28 MHz min
Attenuation at 31.4 MHz	> 45 dB
Attenuation at 69.3 MHz	> 45 dB
Source and Load	50 Ω

## Physical Dimensions



Notes:

1. Surface mount package
2. Dimensions in inches
3. Max reflow temperature 209° C for 10 sec
4. If boards are cleaned after installation units must be completely dried