

# KR Electronics

## General Description

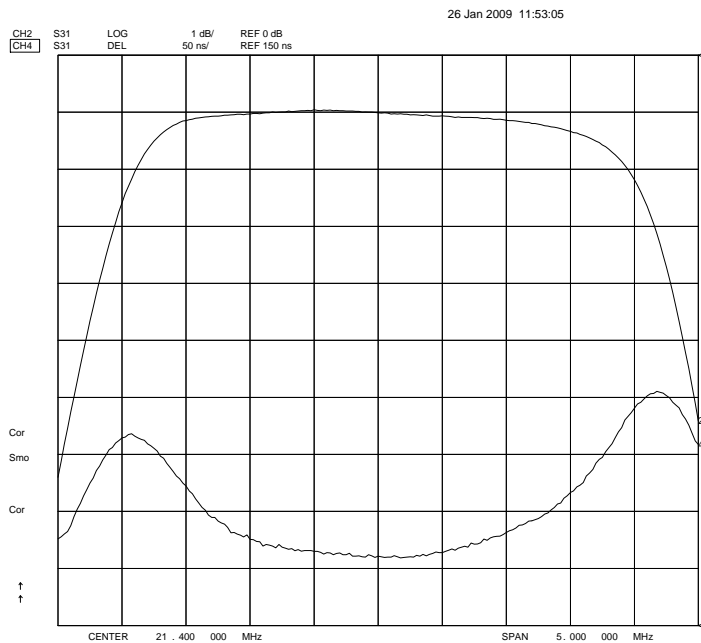
KR 2889 is a 21.4 MHz bandpass filter. The filter has a minimum 1 dB bandwidth of 3 MHz. Other passband frequencies are available. Please consult the factory.

### Features

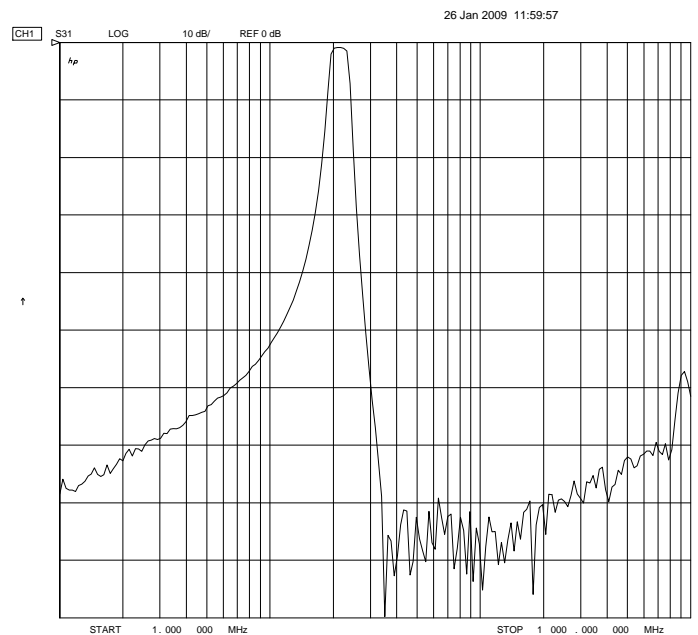
- 21.4 MHz Center Frequency
- 1 dB Bandwidth 3.8 MHz typical
- Surface Mount
- 50  $\Omega$  Source and Load

## Typical Performance

### Passband Amplitude & Group Delay (1 dB/div and 50 nsec/div)



### Overall Response (10 dB/div)



KR Electronics, Inc.  
91 Avenel Street  
Avenel, NJ 07001

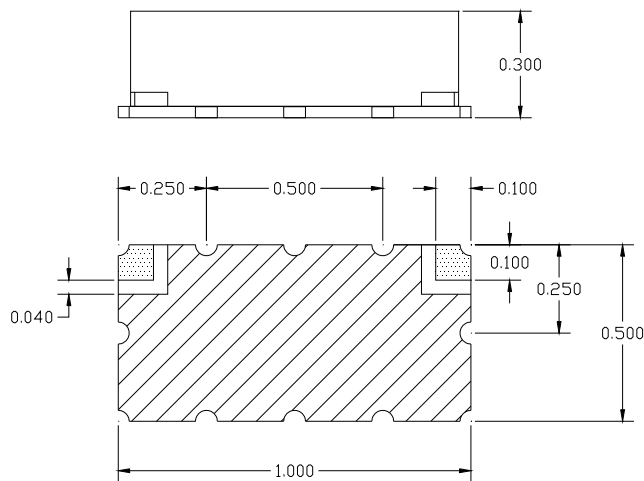
Web [www.krfilters.com](http://www.krfilters.com)  
Email [sales@krfilters.com](mailto:sales@krfilters.com)  
Phone (732) 636-1900  
Fax (732) 636-1982

# KR Electronics 2889

## Specifications

Parameter	Specification
Filter type	Bandpass
Center Frequency	21.4 MHz
Insertion Loss	< 3 dB (1 dB typical)
Number of Sections	4
1 dB Bandwidth	3 MHz min
Typical 3 dB Bandwidth	4.4 MHz
Typical 40 dB Bandwidth	13 MHz
Typical 60 dB Bandwidth	24 MHz
Source and Load	50 $\Omega$

## Physical Dimensions



### Notes:

1. Surface mount package
2. Dimensions in inches
3. Max reflow temperature 209° C for 10 sec
4. If boards are cleaned after installation units must be completely dried