

# KR Electronics

## General Description

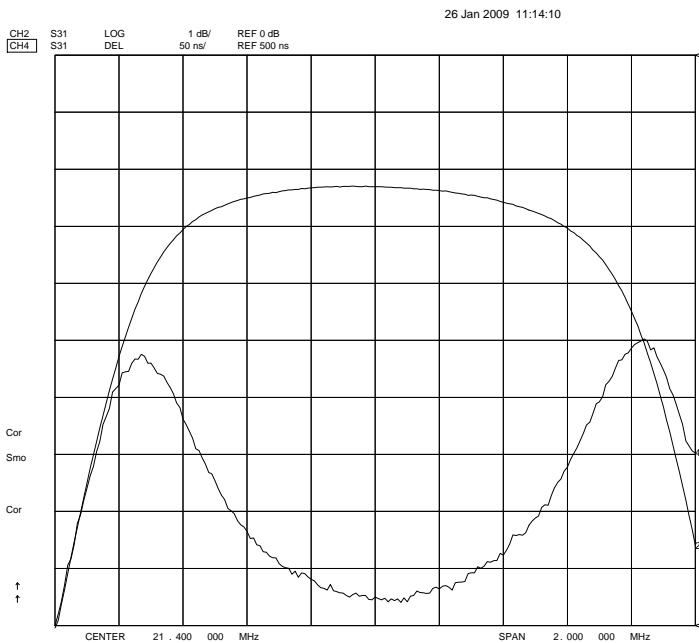
KR 2888 is a 21.4 MHz bandpass filter. The filter has a minimum 1 dB bandwidth of 1 MHz. Other passband frequencies are available. Please consult the factory.

## Features

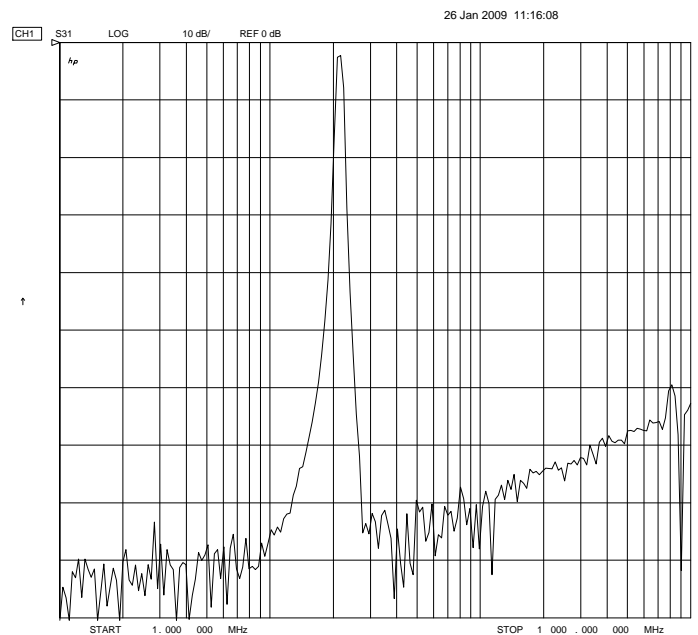
- 21.4 MHz Center Frequency
- 1 dB Bandwidth 1.2 MHz typical
- Surface Mount
- 50  $\Omega$  Source and Load

## Typical Performance

**Passband Amplitude & Group Delay**  
(1 dB/div and 50 nsec/div)



**Overall Response**  
(10 dB/div)



KR Electronics, Inc.  
91 Avenel Street  
Avenel, NJ 07001

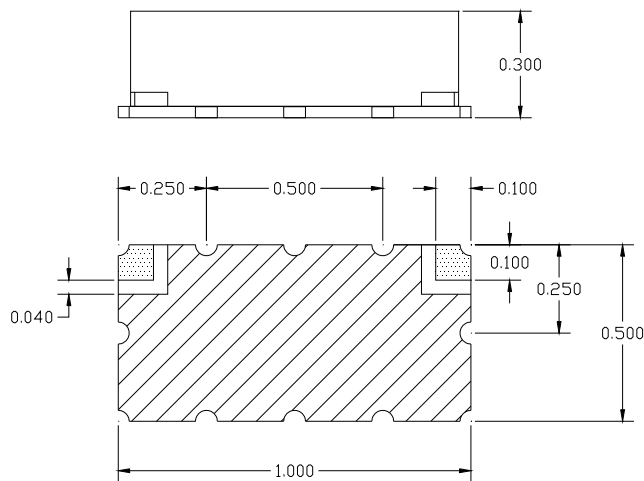
Web [www.krfilters.com](http://www.krfilters.com)  
Email [sales@krfilters.com](mailto:sales@krfilters.com)  
Phone (732) 636-1900  
Fax (732) 636-1982

# KR Electronics 2888

## Specifications

Parameter	Specification
Filter type	Bandpass
Center Frequency	21.4 MHz
Insertion Loss	< 5 dB (2.5 dB typical)
Number of Sections	4
1 dB Bandwidth	1 MHz min
Typical 3 dB Bandwidth	1.6 MHz
Typical 40 dB Bandwidth	5.1 MHz
Typical 60 dB Bandwidth	8.9 MHz
Source and Load	50 $\Omega$

## Physical Dimensions



### Notes:

1. Surface mount package
2. Dimensions in inches
3. Max reflow temperature 209° C for 10 sec
4. If boards are cleaned after installation units must be completely dried