

# KR Electronics

## General Description

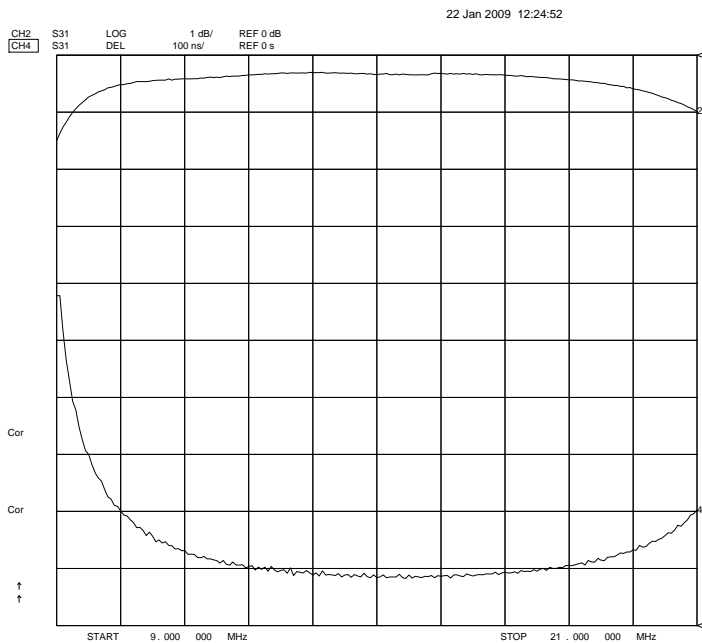
KR 2885+ is a 15 MHz bandpass filter. The filter has a minimum 3 dB bandwidth of 12 MHz. Other passband frequencies are available. Please consult the factory.

### Features

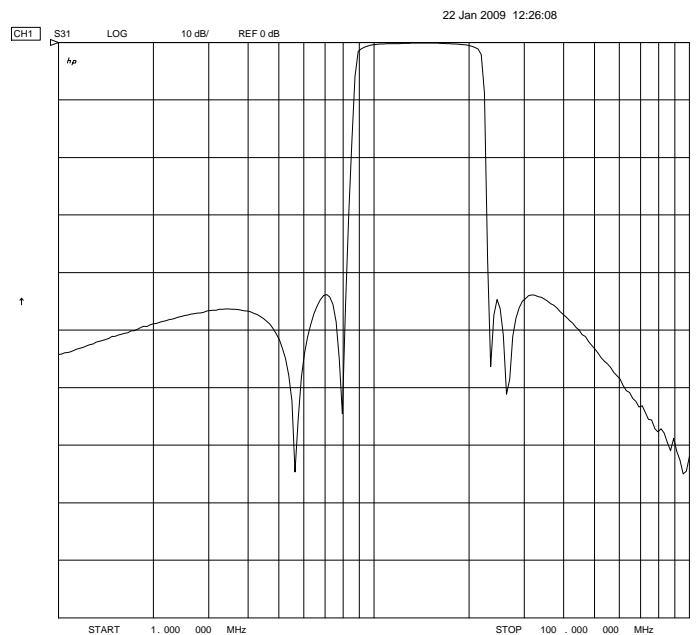
- 15 MHz Center Frequency
- 3 dB Bandwidth 12 MHz minimum
- Sharp Transition to the Stopband
- Surface Mount
- 50  $\Omega$  Source and Load

## Typical Performance

### Passband Amplitude & Group Delay (1 dB/div and 100 nsec/div)



### Overall Response (10 dB/div)



KR Electronics, Inc.  
91 Avenel Street  
Avenel, NJ 07001

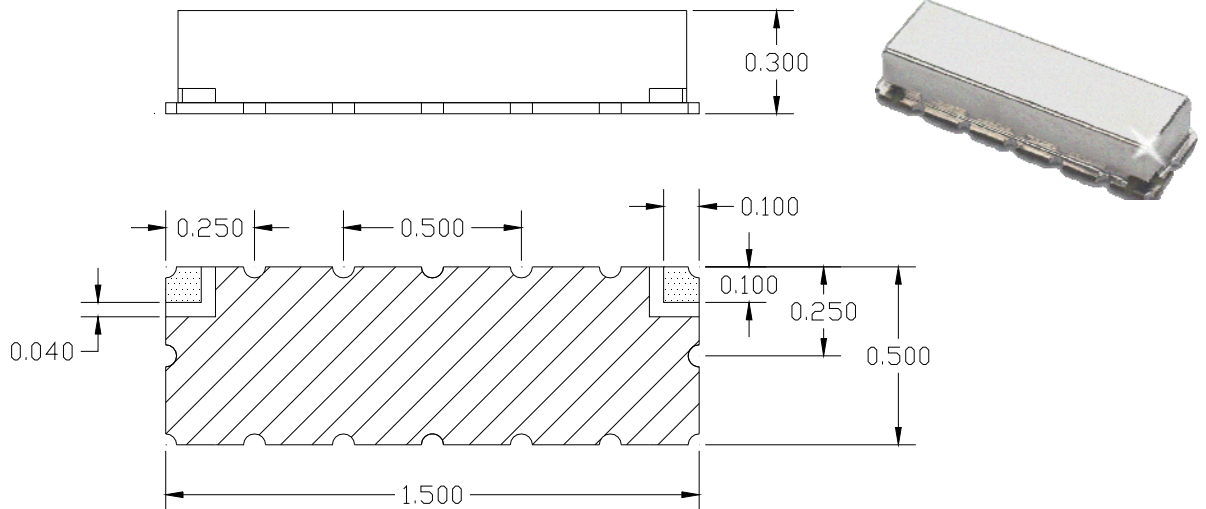
Web [www.krfilters.com](http://www.krfilters.com)  
Email [sales@krfilters.com](mailto:sales@krfilters.com)  
Phone (732) 636-1900  
Fax (732) 636-1982

# KR Electronics 2885+

## Specifications

Parameter	Specification
Filter type	Bandpass
Center Frequency	15 MHz
Insertion Loss	< 1 dB (<0.5 dB typical)
Attenuation at 9 MHz & 21 MHz	< 3 dB (1 dB typical)
Attenuation at 8 MHz & 23 MHz	> 35 dB
Source and Load	50 $\Omega$

## Physical Dimensions



**Notes:**

1. Surface mount package — Metal cover, open frame
2. Dimensions in inches
3. Maximum reflow temperature 230° C for 10 seconds maximum
4. If boards are cleaned after installation, units must be completely dried