

KR Electronics

General Description

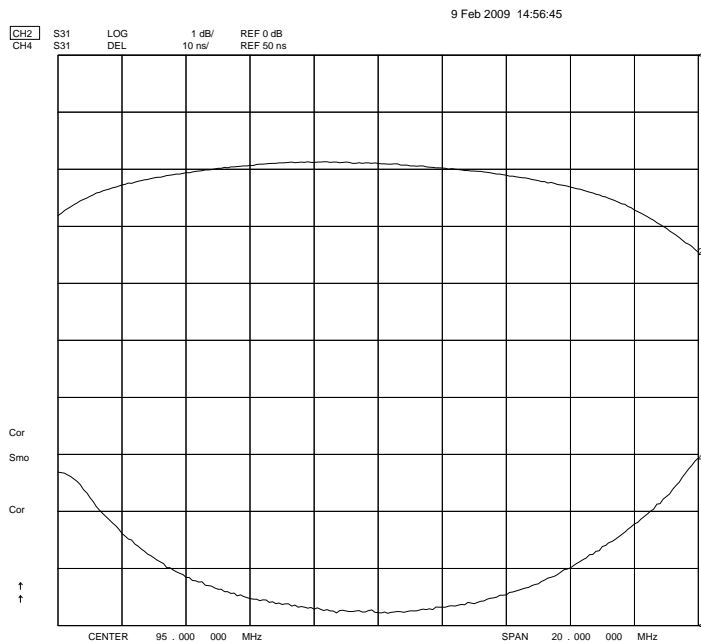
KR 2872 is a 95 MHz bandpass filter. The filter has a minimum 3 dB bandwidth of 20 MHz. Other passband frequencies are available. Please consult the factory.

Features

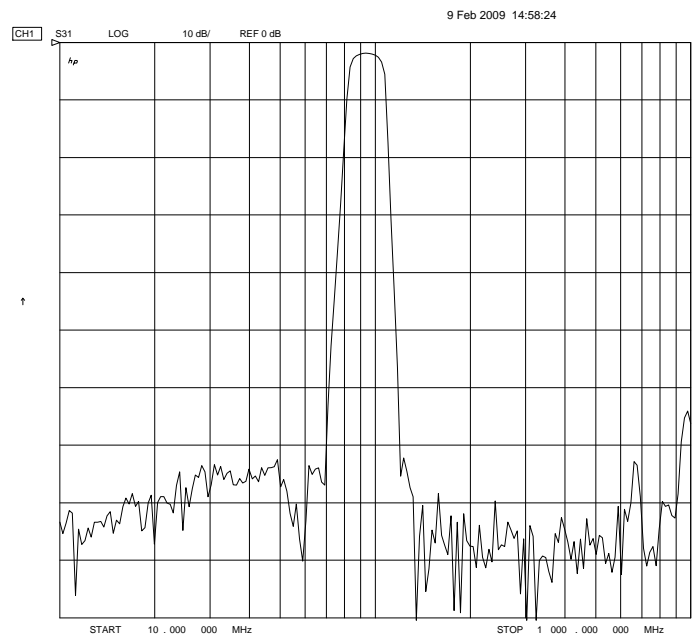
- 95 MHz Center Frequency
- 3 dB Bandwidth 20 MHz min
- Surface Mount
- 50 Ω Source and Load

Typical Performance

Passband Amplitude & Group Delay
(1 dB/div and 10 nsec/div)



Overall Response
(10 dB/div)



KR Electronics, Inc.
91 Avenel Street
Avenel, NJ 07001

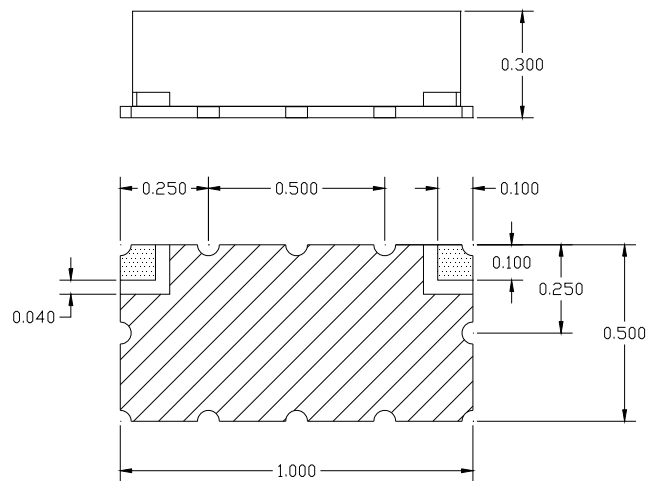
Web www.krfilters.com
Email sales@krfilters.com
Phone (732) 636-1900
Fax (732) 636-1982

KR Electronics 2872

Specifications

Parameter	Specification
Filter type	Bandpass
Center Frequency	95 MHz
Insertion Loss	< 3 dB (2 dB typical)
3 dB Bandwidth	20 MHz min
Attenuation at 70 MHz	> 60 dB
Attenuation at 120 MHz	> 60 dB
Source and Load	50 Ω

Physical Dimensions



Notes:

1. Surface mount package
2. Dimensions in inches
3. Max reflow temperature 209° C for 10 sec
4. If boards are cleaned after installation units must be completely dried