

# KR Electronics

## General Description

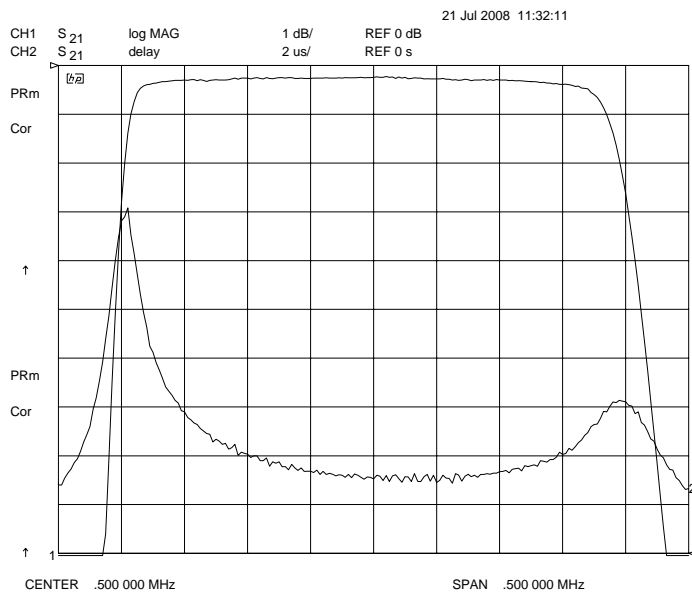
KR part number 2851 is a 500 KHz bandpass filter. The filter has a 3 dB bandwidth of 400 KHz and is designed for a source and load impedance of 50  $\Omega$ . Other passband frequencies are available. Please consult the factory.

### Features

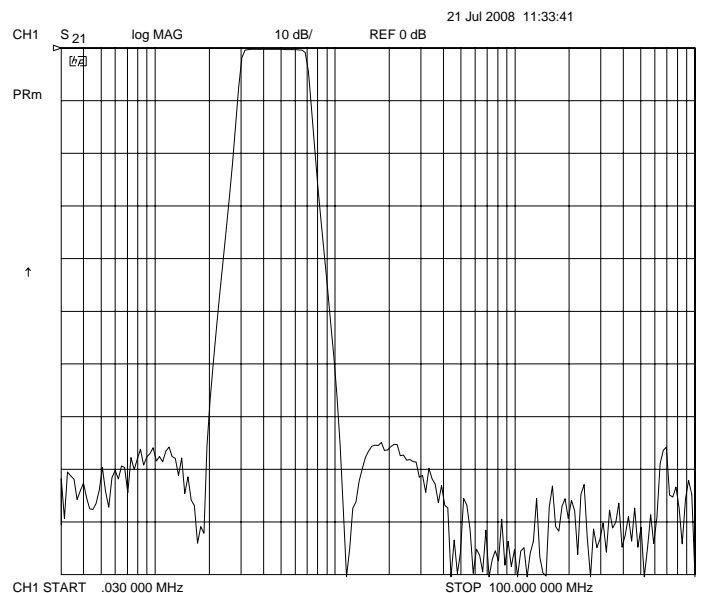
- 500 KHz Center Frequency
- 50  $\Omega$  Source and Load
- BNC Connectors

## Typical Performance

**Passband Amplitude & Group Delay**  
(1 dB/div and 2 usec/div)



**Overall Response**  
(10 dB/div)



KR Electronics, Inc.  
91 Avenel Street  
Avenel, NJ 07001

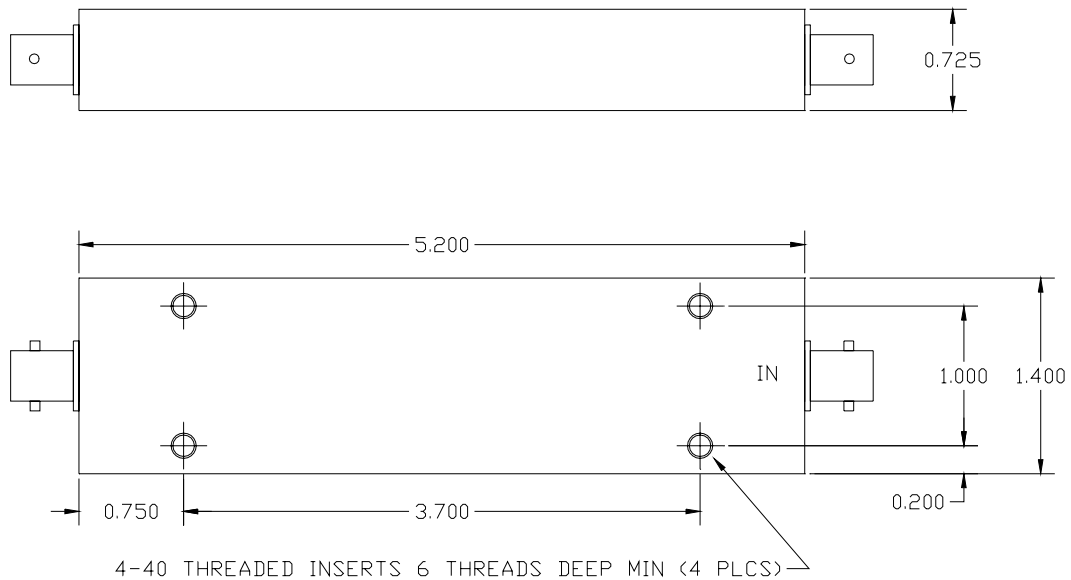
Web www.krfilters.com  
Email sales@krfilters.com  
Phone (732) 636-1900  
Fax (732) 636-1982

# KR Electronics 2851

## Specifications

Parameter	Specification
Filter type	Bandpass
Center Frequency	500 KHz
Insertion Loss	< 1 dB (0.25 dB typical)
3 dB Bandwidth	400 KHz
Attenuation at 195 KHz	> 60 dB
Attenuation at 1.075 MHz	> 60 dB
Source and Load	50 Ω

## Physical Dimensions



NOTES:  
 1. DIMENSIONS IN INCHES  
 2. INPUT/OUTPUT BNC(F)

KR Electronics, Inc.  
 91 Avenel Street  
 Avenel, NJ 07001

Web [www.krfilters.com](http://www.krfilters.com)  
 Email [sales@krfilters.com](mailto:sales@krfilters.com)  
 Phone (732) 636-1900  
 Fax (732) 636-1982