

KR Electronics

General Description

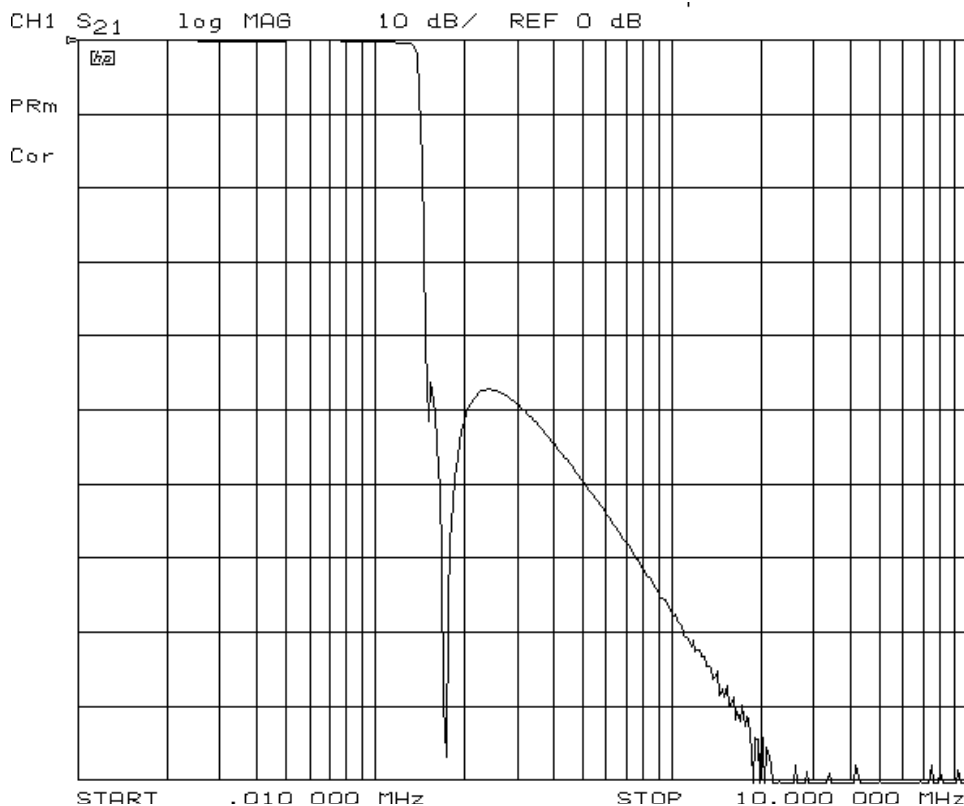
KR 2827-130 is a 130 KHz elliptic type lowpass filter. The filter has a minimum 1.5 dB bandwidth of 130 KHz and greater than 30 dB at 148.6 KHz. Other passband frequencies are available. Please consult the factory.

Features

- 130 KHz Lowpass
- Sharp Transition to Stopband
- Elliptic Type Response
- SMA Connectors
- 50 Ω Source and Load

Typical Performance

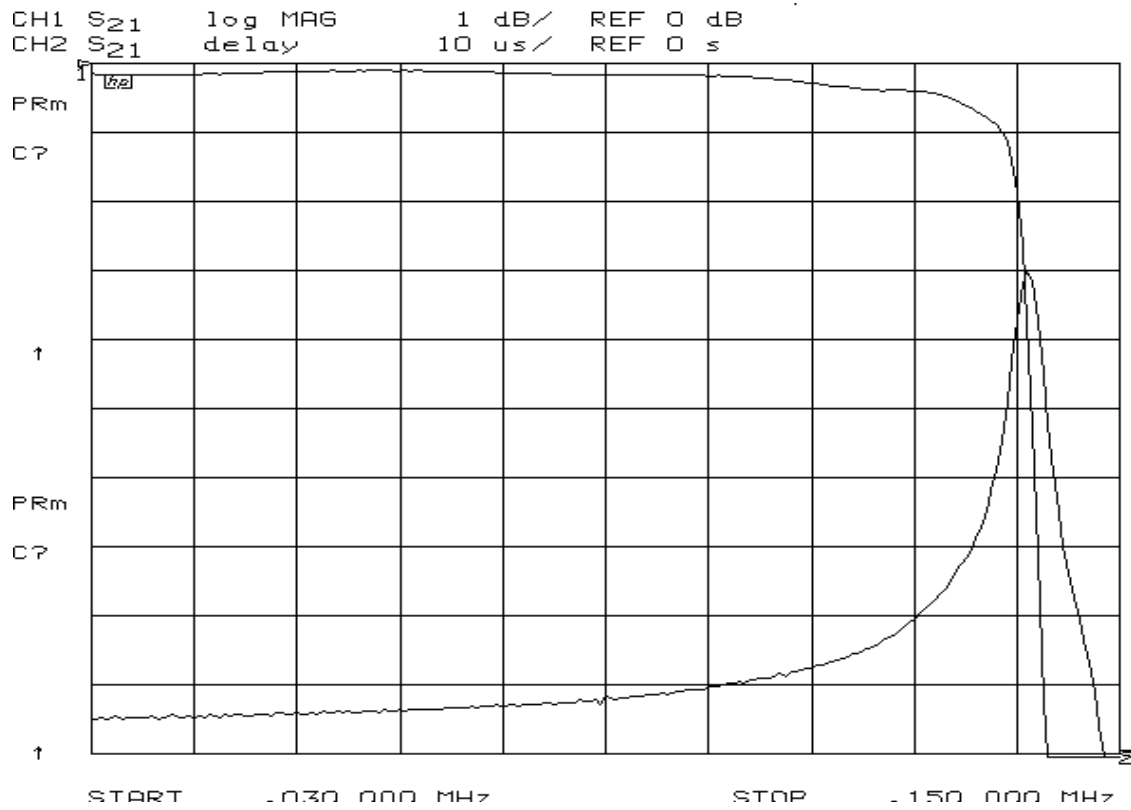
Overall Response
(10 dB/div)



KR Electronics, Inc.
91 Avenel Street
Avenel, NJ 07001

Web www.krfilters.com
Email sales@krfilters.com
Phone (732) 636-1900
Fax (732) 636-1982

Passband Amplitude & Group Delay (1 dB/div & 10 usec/div)

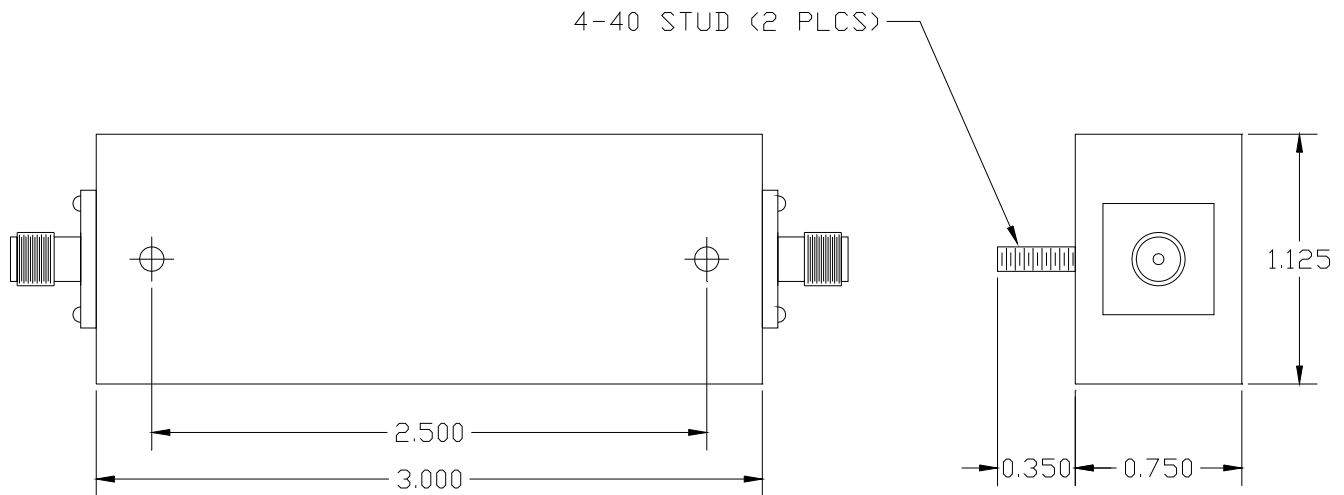


KR Electronics 2827-130

Specifications

Parameter	Specification
Filter type	Lowpass
End of Passband <1.5 dB (0.5 dB typical)	130 KHz
Start of Stopband >30 dB (>40 typical)	148.6 KHz
Source and Load	50 Ω

Physical Dimensions



Notes:

1. Dimensions in inches
2. SMA(f) connectors 2 plcs