

KR Electronics

General Description

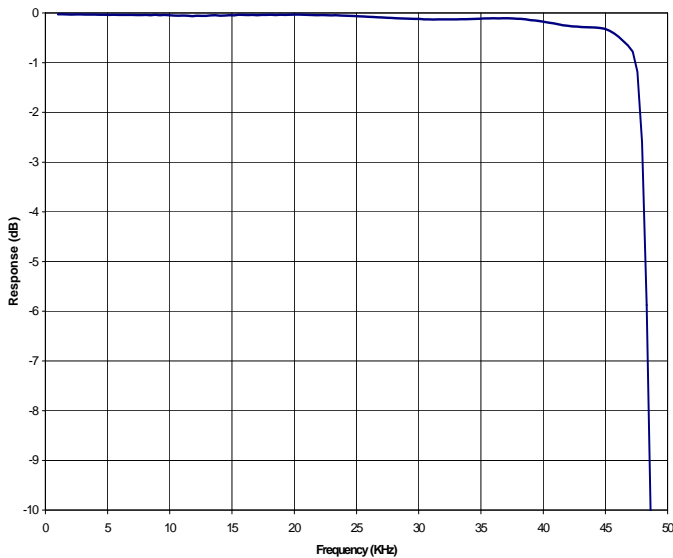
KR 2826 is a 45 KHz lowpass filter. The filter has a minimum 1.5 dB bandwidth of 45 KHz and greater than 30 dB at 50 KHz. Other passband frequencies are available. Please consult the factory.

Features

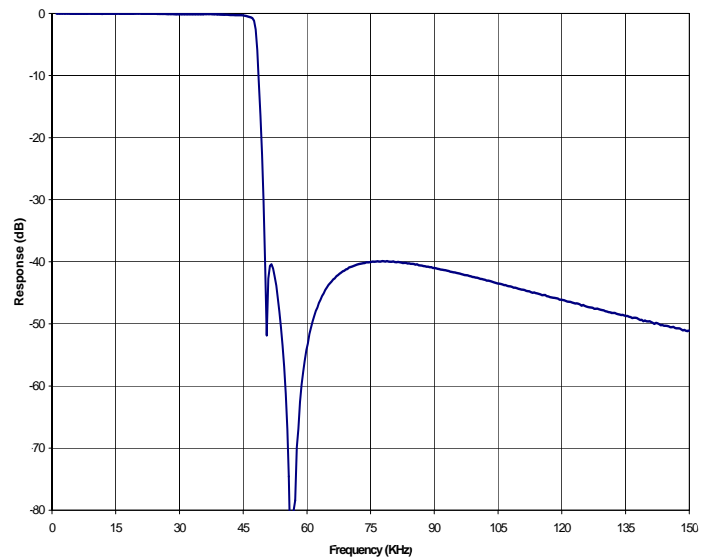
- 45 KHz Lowpass
- SMA Connectors
- 500 Ω Source and Load

Typical Performance

Passband Amplitude
(1 dB/div)



Overall Response
(10 dB/div)



KR Electronics, Inc.
91 Avenel Street
Avenel, NJ 07001

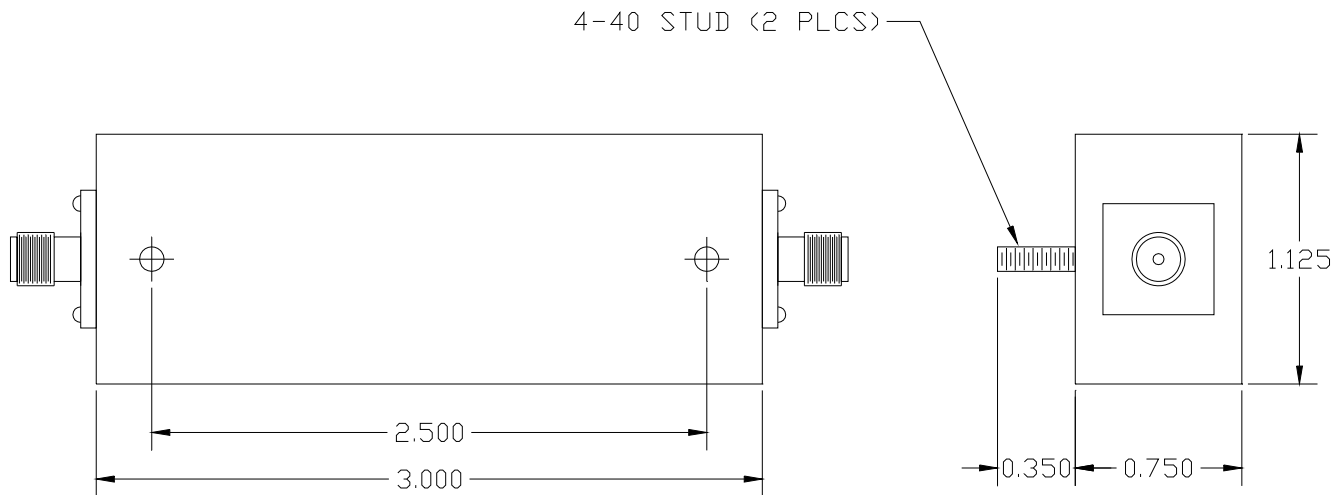
Web www.krfilters.com
Email sales@krfilters.com
Phone (732) 636-1900
Fax (732) 636-1982

KR Electronics 2826

Specifications

Parameter	Specification
Filter type	Lowpass
End of Passband <1.5 dB	45 KHz
Start of Stopband >30 dB	50 KHz
Source and Load	500 Ω

Physical Dimensions



Notes:

1. Dimensions in inches
2. SMA(f) connectors 2 plcs