

KR Electronics, Inc.

General Description

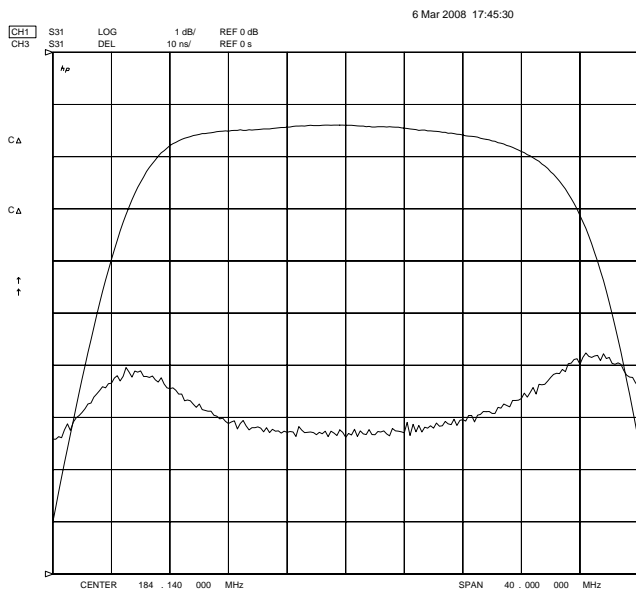
KR 2822 is a 184.14 MHz surface mount bandpass filter. Other center frequencies and bandwidths available. Please consult the factory.

Features

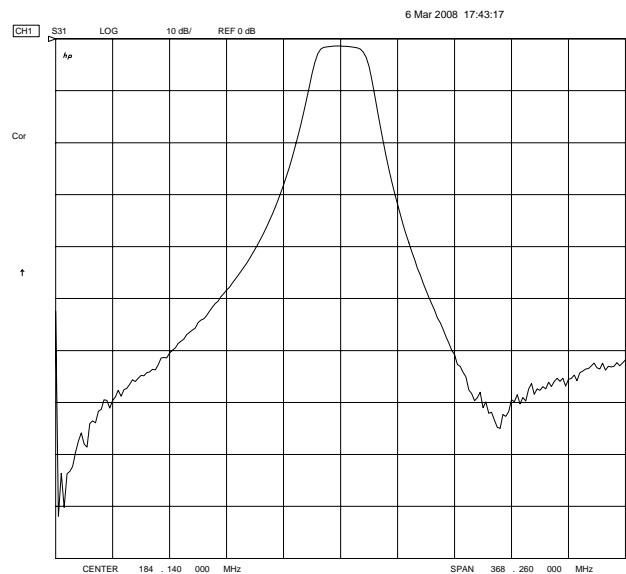
- Surface Mount Package
- Typical 3 dB BW, 34 MHz
- 50 Ω Source and Load

Typical Performance

Passband Amplitude & Group Delay
(1 dB/div & 10 nsec/div)



Overall Response
(10 dB/div)



KR Electronics, Inc.
91 Avenel Street
Avenel, NJ 07001

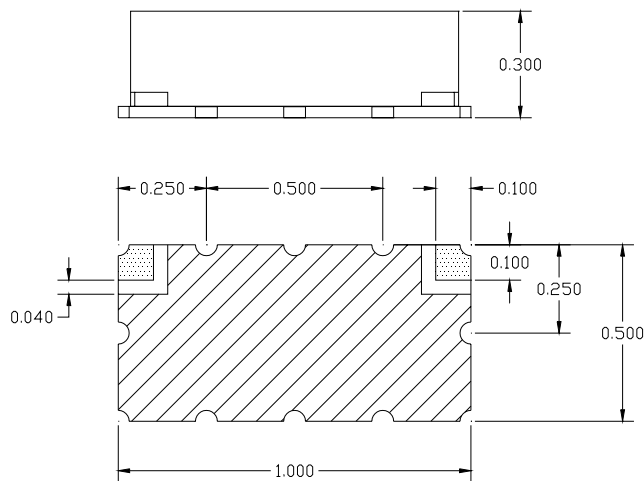
Web www.krfilters.com
Email sales@krfilters.com
Phone (732) 636-1900
Fax (732) 636-1982

KR 2822 Bandpass

Specifications

| Parameter | Specification |
|-----------------------|-------------------------|
| Filter type | Bandpass |
| Center Frequency | 184.14 MHz |
| Insertion Loss | < 3 dB (1.5 dB typical) |
| Minimum 3 dB Passband | 14 MHz (34 MHz typical) |
| Attenuation 104 MHz | > 40 dB |
| Source and Load | 50 Ω |
| | |
| | |

Physical Dimensions



Notes:

1. Surface mount package — Metal cover, open frame
2. Dimensions in inches
3. Max reflow temperature 209° C for 10 sec
4. If boards are cleaned after installation, units must be completely dried