

KR Electronics

General Description

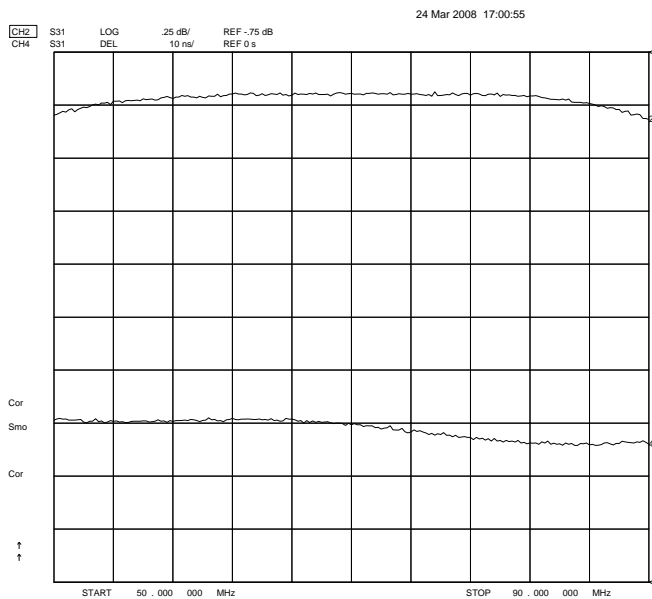
KR 2818 is a 70 MHz bandpass filter. The filter has a minimum 0.25 dB bandwidth of 40 MHz. Other passband frequencies are available. Please consult the factory.

Features

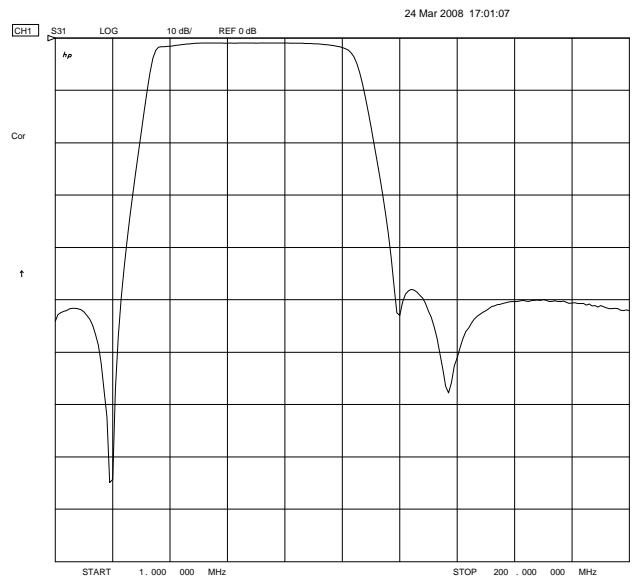
- 70 MHz Center Frequency
- 40 MHz 0.25 Bandwidth
- SMA Connectors
- Also available in surface mount
- 50 Ω Source and Load

Typical Performance

Passband Amplitude & Group Delay (0.5 dB/div and 10 nsec/div)



Overall Response (10 dB/div)



KR Electronics, Inc.
91 Avenel Street
Avenel, NJ 07001

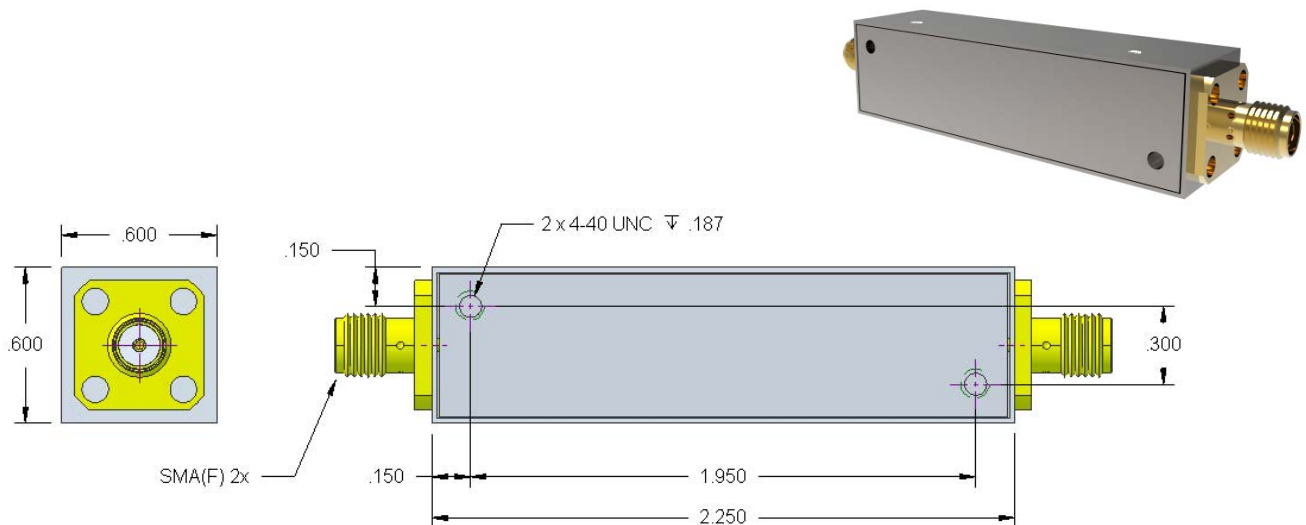
Web www.krfilters.com
Email sales@krfilters.com
Phone (732) 636-1900
Fax (732) 636-1982

KR Electronics 2818

Specifications

| Parameter | Specification |
|------------------------|------------------------|
| Filter type | Bandpass |
| Center Frequency | 70 MHz |
| Insertion Loss | < 2 dB (1 dB typical) |
| Attenuation at 50 MHz | < 0.25 dB |
| Attenuation at 90 MHz | < 0.25 dB |
| Attenuation at 21 MHz | > 35 dB |
| Attenuation at 118 MHz | > 35 dB |
| Source and Load | 50 Ω |

Physical Dimensions



Notes:

1. Dimensions in inches
2. Metal Case
3. SMA(F) Connectors—also available in surface mount

KR Electronics, Inc.
91 Avenel Street
Avenel, NJ 07001

Web www.krfilters.com
Email sales@krfilters.com
Phone (732) 636-1900
Fax (732) 636-1982