

KR Electronics

General Description

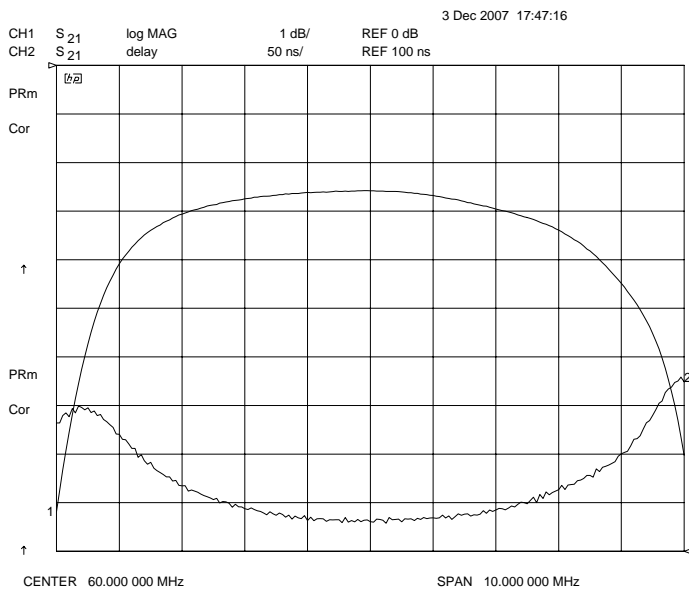
KR 2807 is a 60 MHz surface mount bandpass filter. The filter has a 3 dB bandwidth of 9 MHz \pm 1 MHz. Other center frequencies and bandwidths available. Please consult the factory.

Features

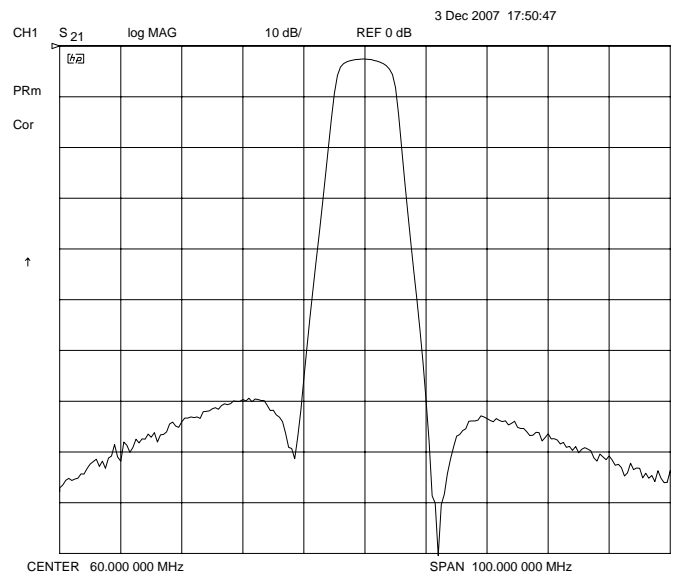
- Surface Mount Package
- Sharp Transition to Stopband
- >40 dB Stopband
- 50 Ω Source and Load

Typical Performance

Passband Amplitude & Group Delay (1 dB/div & 50 nsec/div)



Overall Response (10 dB/div)



KR Electronics, Inc.
91 Avenel Street
Avenel, NJ 07001

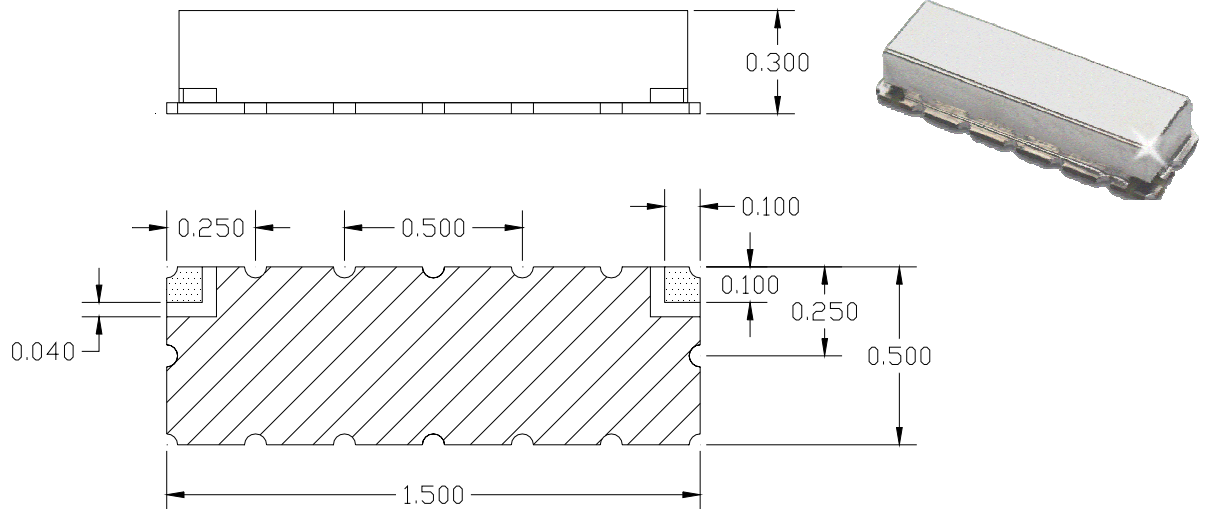
Web www.krfilters.com
Email sales@krfilters.com
Phone (732) 636-1900
Fax (732) 636-1982

KR 2807 Bandpass

Specifications

Parameter	Specification
Filter type	Bandpass
Center Frequency	60 MHz
Insertion Loss	< 4 dB (2.5 dB typical)
3 dB Bandwidth	9 MHz \pm 1 MHz
Attenuation 50 MHz	> 40 dB (>60 dB typical)
Attenuation 70 MHz	> 40 dB (>60 dB typical)
Source and Load	50 Ω

Physical Dimensions



Notes:

1. Surface mount package — Metal cover, open frame
2. Dimensions in inches
3. Maximum reflow temperature 209° C for 10 seconds maximum