

KR Electronics

General Description

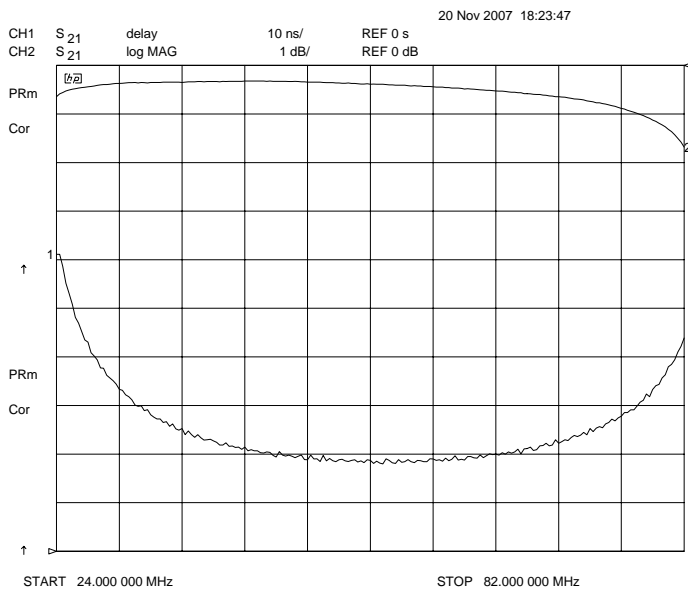
KR 2804 is a 53 MHz surface mount bandpass filter. The filter has a passband from 24 MHz to 82 MHz. Other center frequencies and bandwidths available. Please consult the factory.

Features

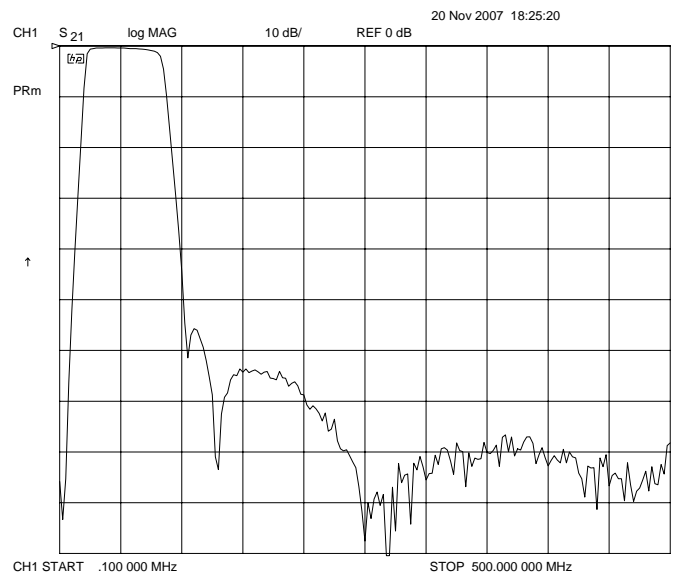
- Surface Mount Package
- Sharp Transition to Stopband
- >40 dB Stopband
- 50 Ω Source and Load

Typical Performance

Passband Amplitude & Group Delay (1 dB/div & 10 nsec/div)



Overall Response (10 dB/div)



KR Electronics, Inc.
91 Avenel Street
Avenel, NJ 07001

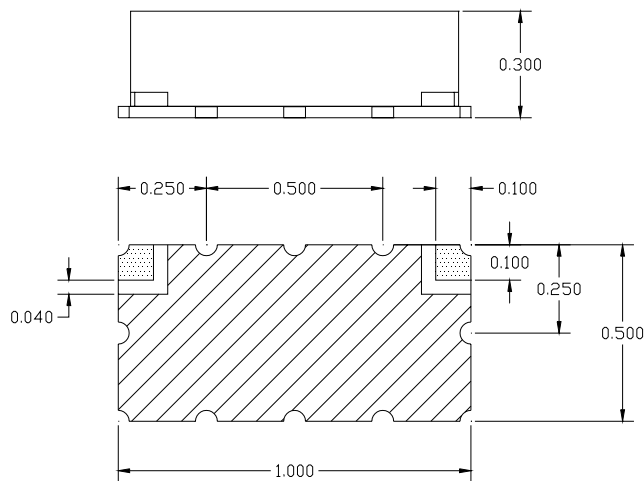
Web www.krfilters.com
Email sales@krfilters.com
Phone (732) 636-1900
Fax (732) 636-1982

KR 2804 Bandpass

Specifications

Parameter	Specification
Filter type	Bandpass
Center Frequency	53 MHz
Insertion Loss	< 1 dB
Minimum 2 dB Passband	24 MHz to 82 MHz
Attenuation 10 MHz	> 40 dB
Attenuation 103 MHz	> 40 dB
Source and Load	50 Ω

Physical Dimensions



Notes:

1. Surface mount package — Metal cover, open frame
2. Dimensions in inches
3. Maximum reflow temperature 209° C for 10 seconds maximum
4. If boards are cleaned after installation, units must be completely dried