

KR Electronics

General Description

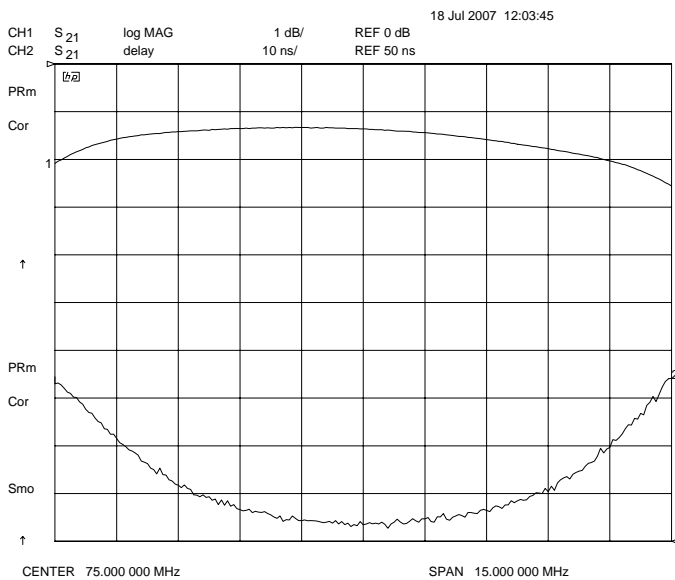
KR 2790 is a 75 MHz surface mount bandpass filter. The filter has a minimum 2 dB bandwidth of 15 MHz. Other passband frequencies are available. Please consult the factory.

Features

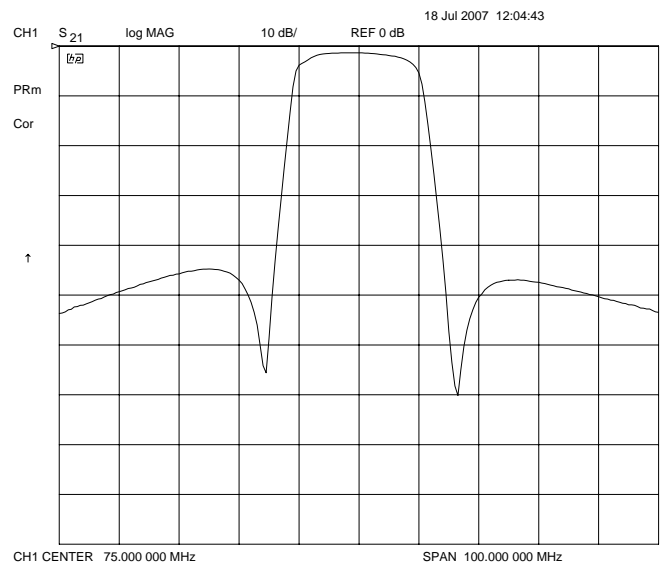
- 75 MHz Center Frequency
- Surface Mount Package
- 50 Ω Source and Load

Typical Performance

Passband Amplitude & Group Delay (1 dB/div and 10 nsec/div)



Overall Response (10 dB/div)



KR Electronics, Inc.
91 Avenel Street
Avenel, NJ 07001

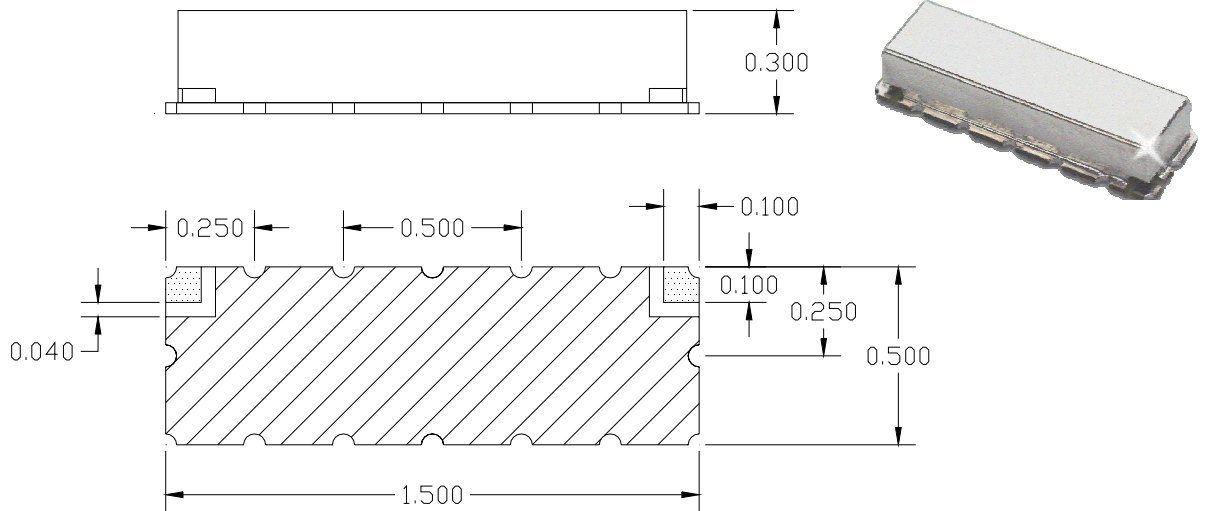
Web www.krfilters.com
Email sales@krfilters.com
Phone (732) 636-1900
Fax (732) 636-1982

KR Electronics 2790

Specifications

Parameter	Specification
Filter type	Bandpass
Center Frequency	75 MHz
Insertion Loss	< 2.5 dB (1.5 dB typical)
2 dB Bandwidth	15 MHz min (67.5 to 82.5 MHz)
Attenuation at 60 MHz	40 dB min
Attenuation at 90 MHz	40 dB min
Source and Load	50 Ω

Physical Dimensions



Notes:

1. Surface mount package — Metal cover, open frame
2. Dimensions in inches
3. Maximum reflow temperature 209° C for 10 seconds maximum
4. If boards are cleaned after installation, units must be completely dried