

KR Electronics

General Description

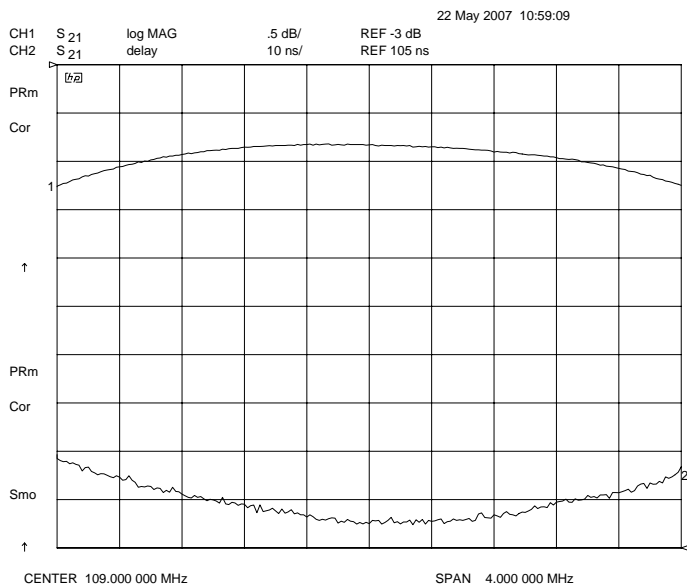
KR 2770 is a 109 MHz bandpass filter with a minimum 1 dB bandwidth of 4 MHz. Other center frequencies and bandwidths available. Please consult the factory.

Features

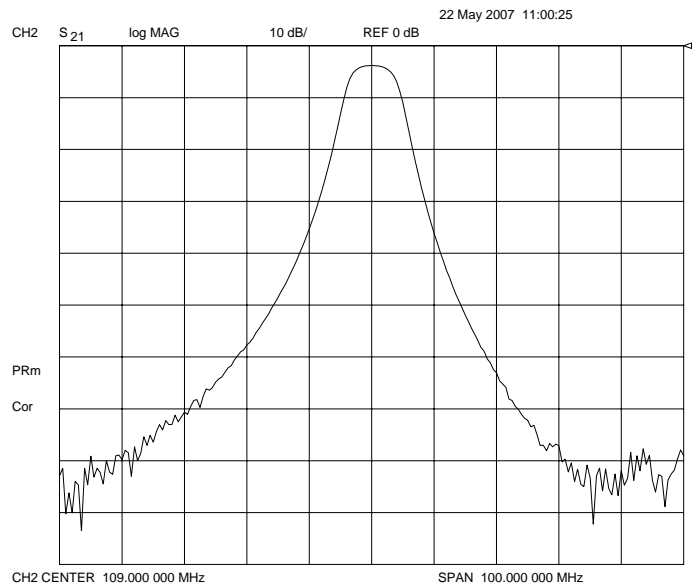
- Surface Mount Package
- 50 Ω Source and Load

Typical Performance

Passband Amplitude & Group Delay (0.5 dB/div & 10 nsec/div)



Overall Response (10 dB/div)



KR Electronics, Inc.
91 Avenel Street
Avenel, NJ 07001

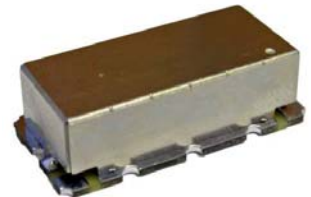
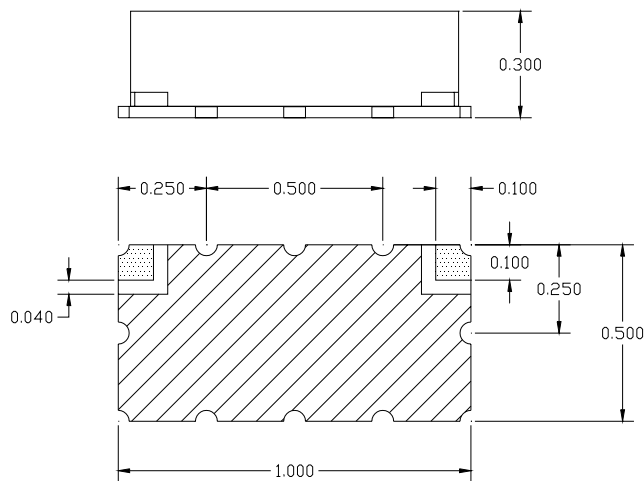
Web www.krfilters.com
 Email sales@krfilters.com
 Phone (732) 636-1900
 Fax (732) 636-1982

KR Electronics 2770 Bandpass

Specifications

Parameter	Specification
Filter type	Bandpass
Center Frequency	109 MHz
Insertion Loss	< 6 dB (5 dB typical)
Bandwidth (1 dB)	4 MHz min
Attenuation at 94 MHz	> 40 dB
Attenuation at 124 MHz	> 40 dB
Source and Load	50 Ω

Physical Dimensions



Notes:

1. Surface mount package — Metal cover, open frame
2. Dimensions in inches
3. Max reflow temperature 209° C for 10 sec
4. If boards are cleaned after installation, units must be completely dried