

KR Electronics

General Description

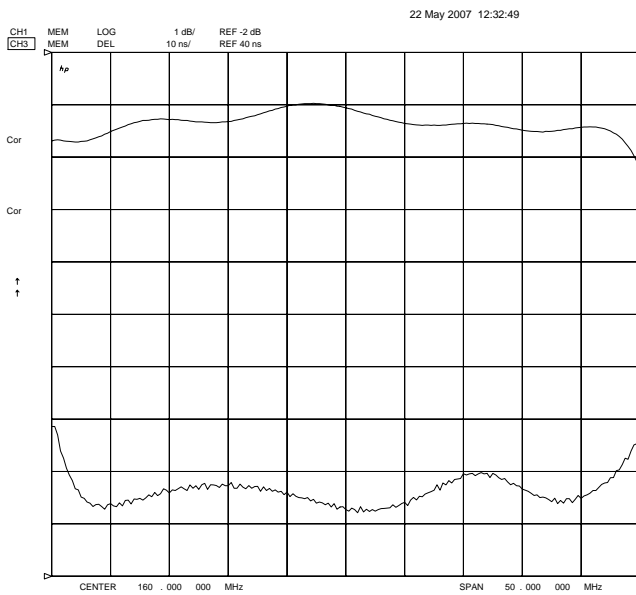
KR 2749 is a 160 MHz surface mount, group delay equalized bandpass filter. The filter has a minimum 2 dB bandwidth of 50 MHz. Other passband frequencies are available. Please consult the factory.

Features

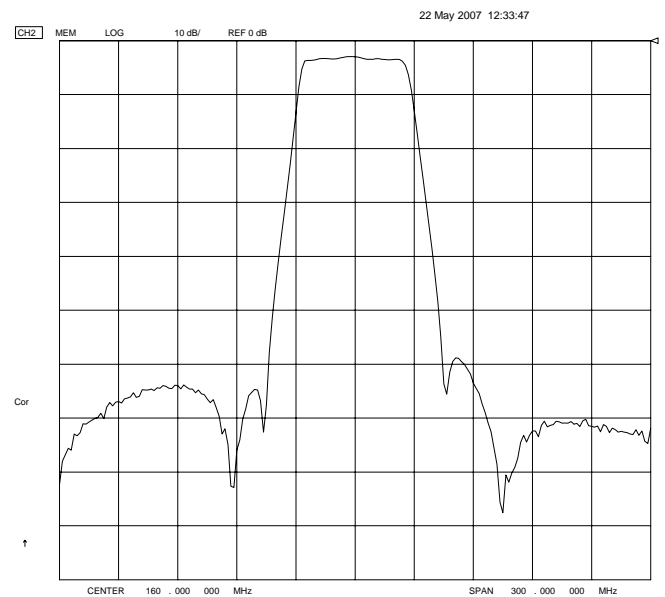
- Surface Mount Package
- 50 Ω Source and Load

Typical Performance

Passband Amplitude & Group Delay
(1 dB/div and 10 nsec/div)



Overall Response
(10 dB/div)



KR Electronics, Inc.
91 Avenel Street
Avenel, NJ 07001

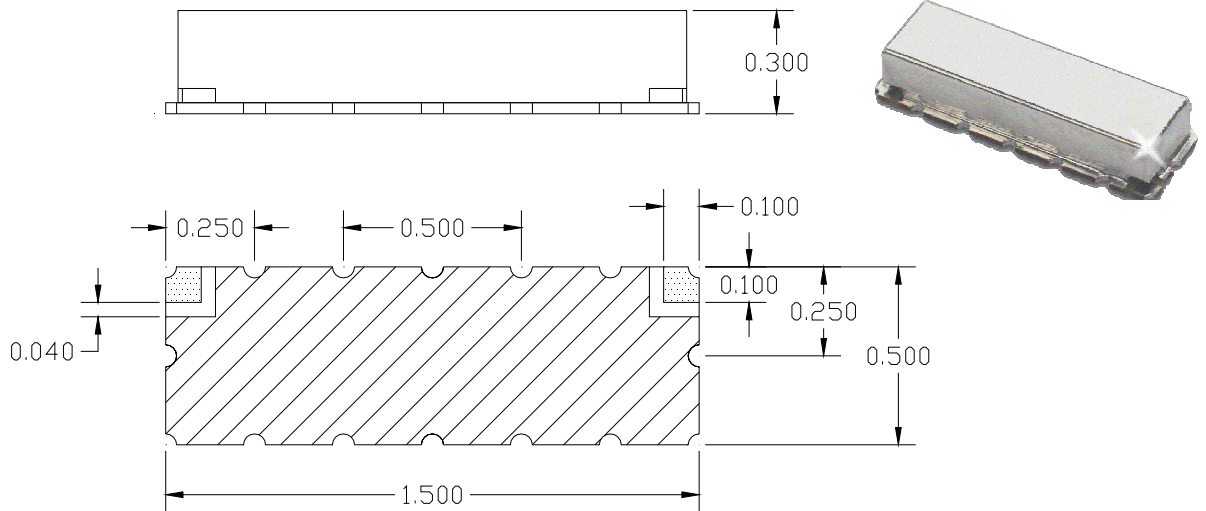
Web www.krfilters.com
Email sales@krfilters.com
Phone (732) 636-1900
Fax (732) 636-1982

KR Electronics 2749

Specifications

Parameter	Specification
Filter type	Bandpass
Center Frequency	160 MHz
Insertion Loss	< 7 dB (3 dB typical)
2 dB Bandwidth	50 MHz min
Attenuation at 116 MHz	50 dB min
Attenuation at 204 MHz	50 dB min
Source and Load	50 Ω

Physical Dimensions



Notes:

1. Surface mount package — Metal cover, open frame
2. Dimensions in inches
3. Maximum reflow temperature 209° C for 10 seconds maximum
4. If boards are cleaned after installation, units must be completely dried