

KR Electronics

General Description

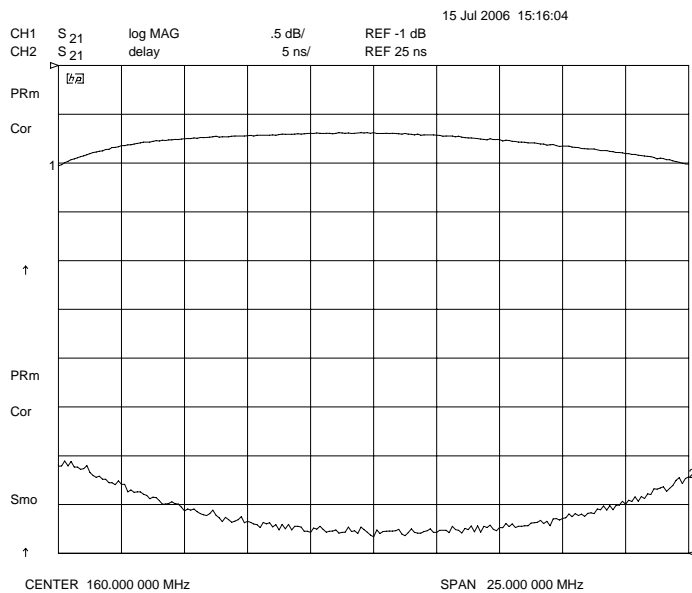
KR 2706 is a 160 MHz surface mount bandpass filter. The filter has a minimum 0.5 dB bandwidth of 25 MHz. Other passband frequencies are available. Please consult the factory.

Features

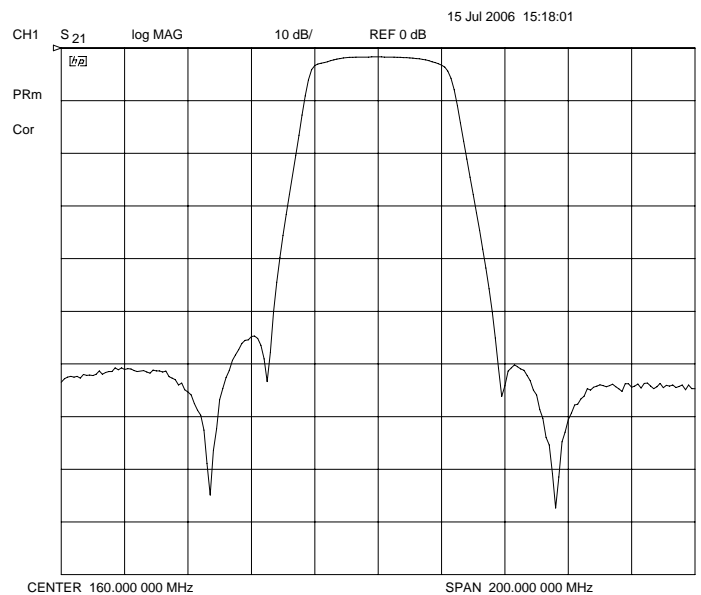
- Surface Mount Package
- Sharp Transition to Stopband
- 40 dB Stopband
- 50 Ω Source and Load

Typical Performance

Passband Amplitude & Group Delay
(0.5 dB/div and 5 nsec/div)



Overall Response
(10 dB/div)



KR Electronics, Inc.
91 Avenel Street
Avenel, NJ 07001

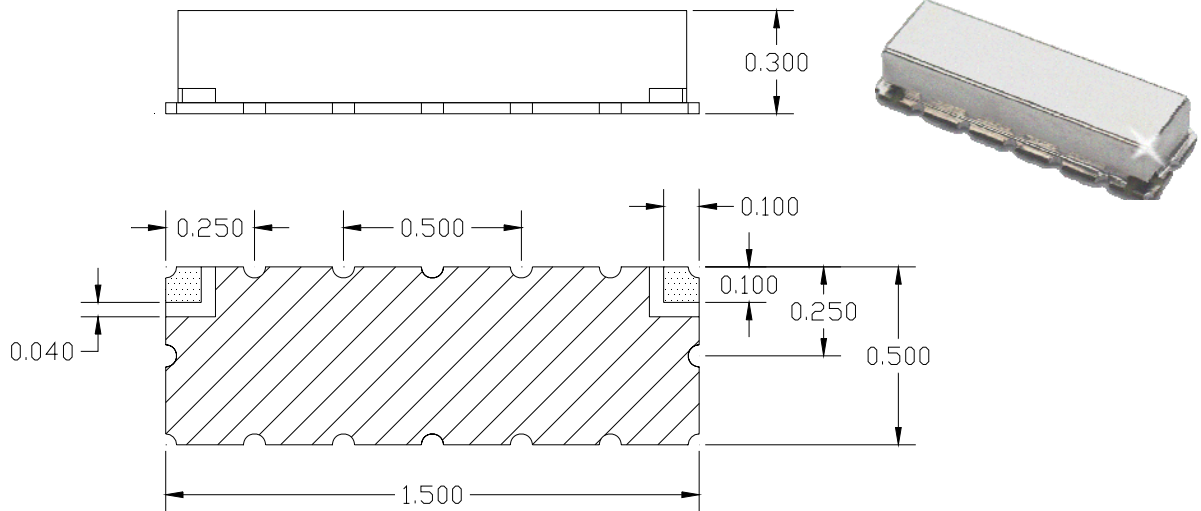
Web www.krfilters.com
 Email sales@krfilters.com
 Phone (732) 636-1900
 Fax (732) 636-1982

KR Electronics 2706

Specifications

Parameter	Specification
Filter type	Bandpass
Center Frequency	160 MHz
Insertion Loss	< 2 dB
0.5 dB Bandwidth	25 MHz min
Attenuation at 122 MHz	> 40 dB
Attenuation at 198 MHz	> 40 dB
Source and Load	50 Ω

Physical Dimensions



Notes:

1. Surface mount package — Metal cover, open frame
2. Dimensions in inches
3. Use SN60 or SN63 solder during installation
4. If boards are cleaned after installation, units must be completely dried