

KR 2703 Bandpass Filter

General Description

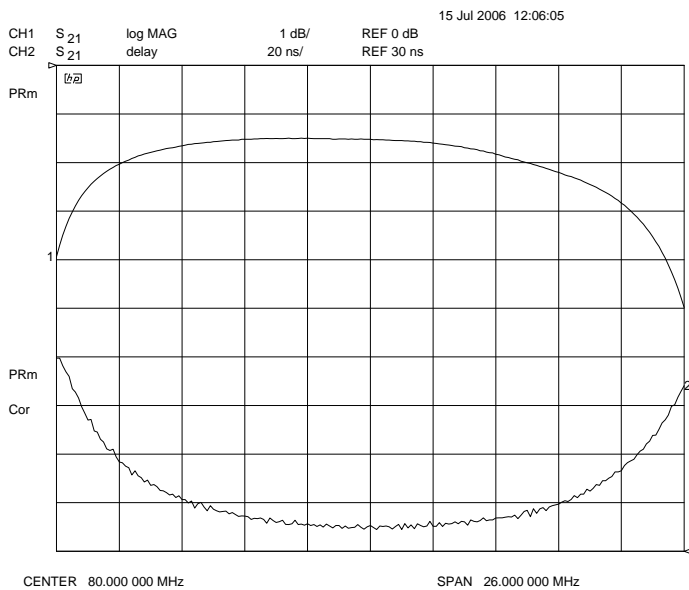
KR 2703 is a 80 MHz surface mount bandpass filter. Other center frequencies and bandwidths available. Please consult the factory.

Features

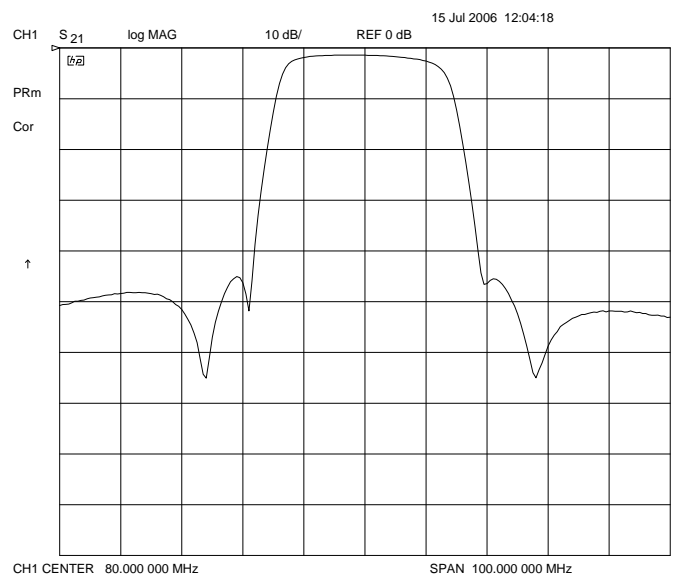
- Surface Mount Package
- Sharp Transition to Stopband
- >40 dB Stopband
- 50 Ω Source and Load

Typical Performance

Passband Amplitude & Group Delay (1 dB/div & 20 nsec/div)



Overall Response (10 dB/div)



KR Electronics, Inc.
91 Avenel Street
Avenel, NJ 07001

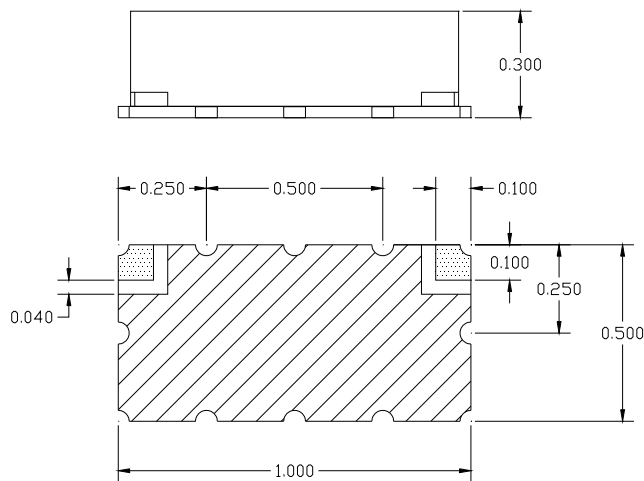
Web www.krfilters.com
Email sales@krfilters.com
Phone (732) 636-1900
Fax (732) 636-1982

KR 2703 Bandpass

Specifications

| Parameter | Specification |
|-----------------------|--------------------------|
| Filter type | Bandpass |
| Center Frequency | 80 MHz |
| Insertion Loss | < 3 dB (1.5 dB typical) |
| Minimum 4 dB Passband | 67 to 93 MHz |
| Attenuation 61 MHz | > 40 dB |
| Attenuation 99 MHz | > 40 dB |
| Source and Load | 50 Ω |

Physical Dimensions



Notes:

1. Surface mount package — Metal cover, open frame
2. Dimensions in inches
3. Use SN60 or SN63 solder during installation—Max reflow temperature 205° C for 10 sec
4. If boards are cleaned after installation, units must be completely dried