

# KR Electronics

## General Description

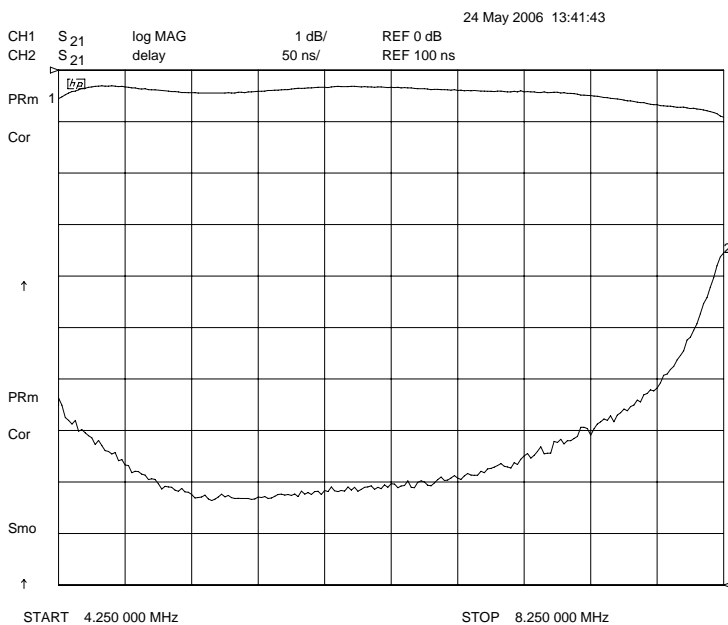
KR 2696 is a 6.25 MHz surface mount bandpass filter. Other center frequencies and bandwidths available. Please consult the factory.

## Features

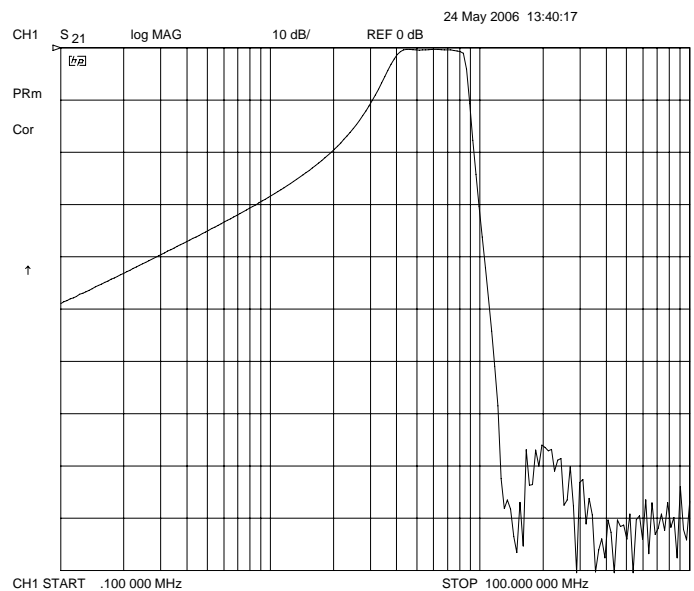
- 6.25 MHz Center Frequency
- High Stopband Rejection
- Surface Mount Package
- 50  $\Omega$  Source and Load

## Typical Performance

### Passband Amplitude & Group Delay (1 dB/div and 50 nsec/div)



### Overall Response (10 dB/div)



KR Electronics, Inc.  
91 Avenel Street  
Avenel, NJ 07001

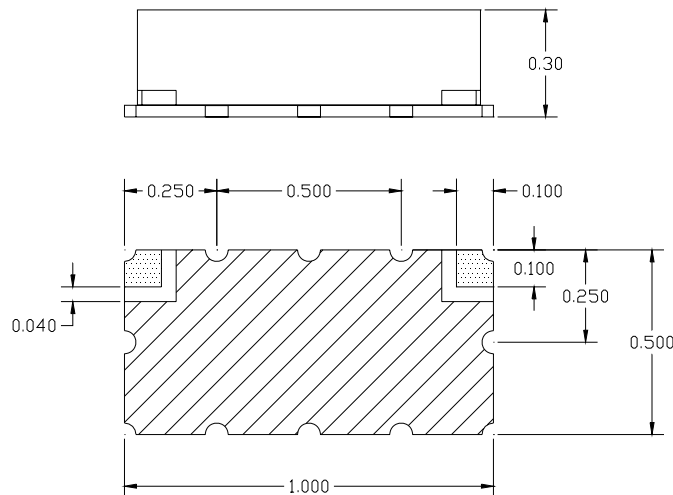
Web www.krfilters.com  
 Email sales@krfilters.com  
 Phone (732) 636-1900  
 Fax (732) 636-1982

# KR Electronics 2696 Bandpass

## Specifications

Parameter	Specification	Typical
Filter type	Bandpass	
Center Frequency	6.25 MHz	
Insertion Loss	< 2 dB	< 1 dB
3 dB Bandwidth	4 MHz min	
Attenuation at 12.5 MHz	> 65 dB	
Source and Load	50 Ω	

## Physical Dimensions



### Notes:

1. Surface mount package — Metal cover (can also be supplied in a package with SMA Connectors)
2. Dimensions in inches
3. If boards are cleaned after installation, dry units completely.