

# KR Electronics 2657 Bandpass Filter

## General Description

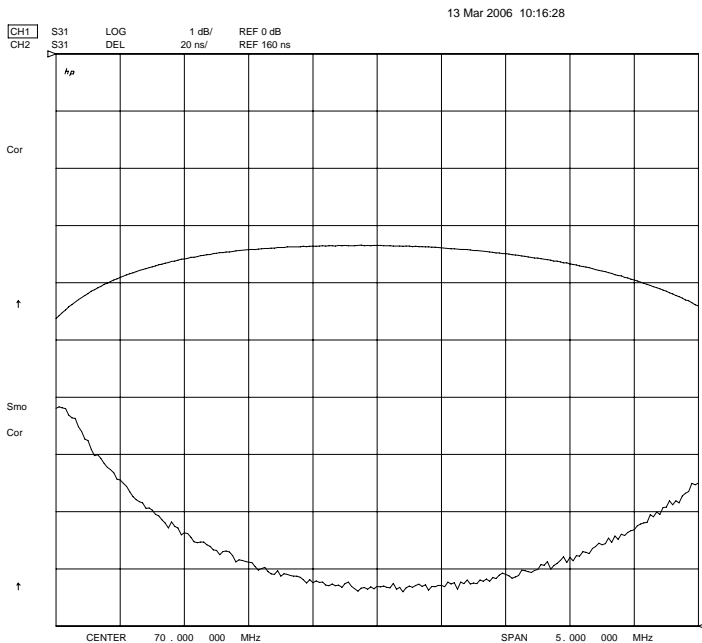
KR 2657 is a 70 MHz surface mount bandpass filter. Other center frequencies and bandwidths available. Please consult the factory.

## Features

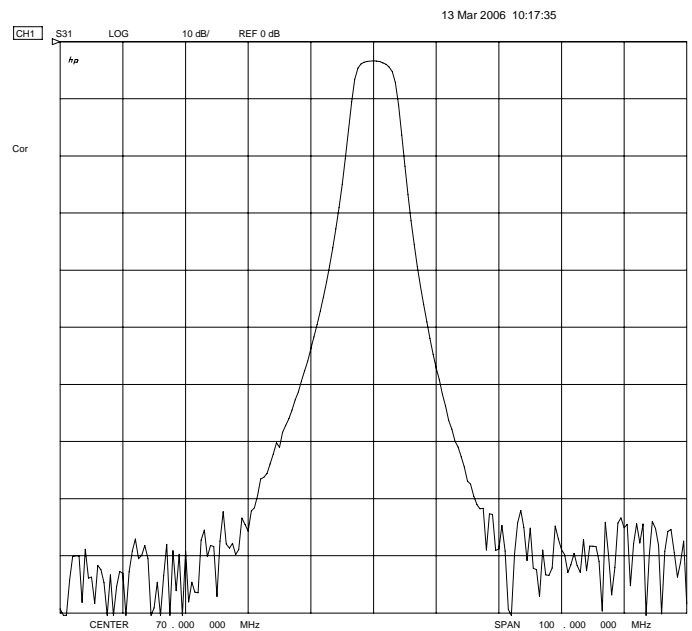
- 70 MHz Center Frequency
- 3 dB Bandwidth, 5 MHz min
- Surface Mount Package
- 50  $\Omega$  Source and Load

## Typical Performance

**Passband Amplitude & Group Delay**  
(1 dB/div and 20 nsec/div)



**Overall Response**  
(10 dB/div)



KR Electronics, Inc.  
91 Avenel Street  
Avenel, NJ 07001

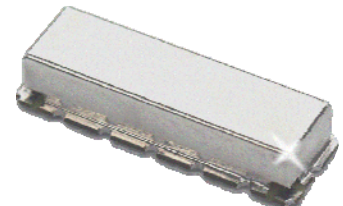
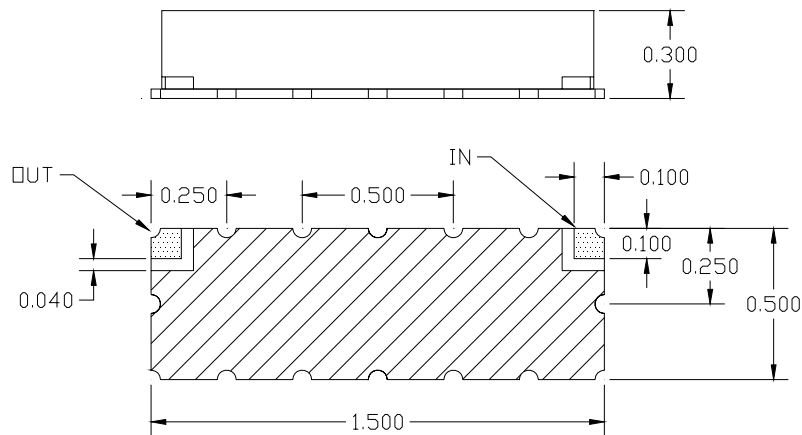
Web [www.krfilters.com](http://www.krfilters.com)  
Email [sales@krfilters.com](mailto:sales@krfilters.com)  
Phone (732) 636-1900  
Fax (732) 636-1982

# KR Electronics 2657 Bandpass

## Specifications

Parameter	Specification	Typical
Filter type	Bandpass	
Center Frequency	70 MHz	
Insertion Loss	< 5 dB	3.4 dB
3 dB Bandwidth	5 MHz min	6.2 MHz
10 dB Bandwidth	11 MHz max	8.0 MHz
40 dB Bandwidth		15.5 MHz
60 dB Bandwidth	30 MHz max	24.0 MHz
Source and Load	50 $\Omega$	

## Physical Dimensions



### Notes:

1. Surface mount package — Metal cover (can also be supplied in a package with SMA Connectors)
2. Dimensions in inches
3. Maximum reflow temperature is 209° C for 15 sec maximum.
4. If boards are cleaned after installation, dry units completely.